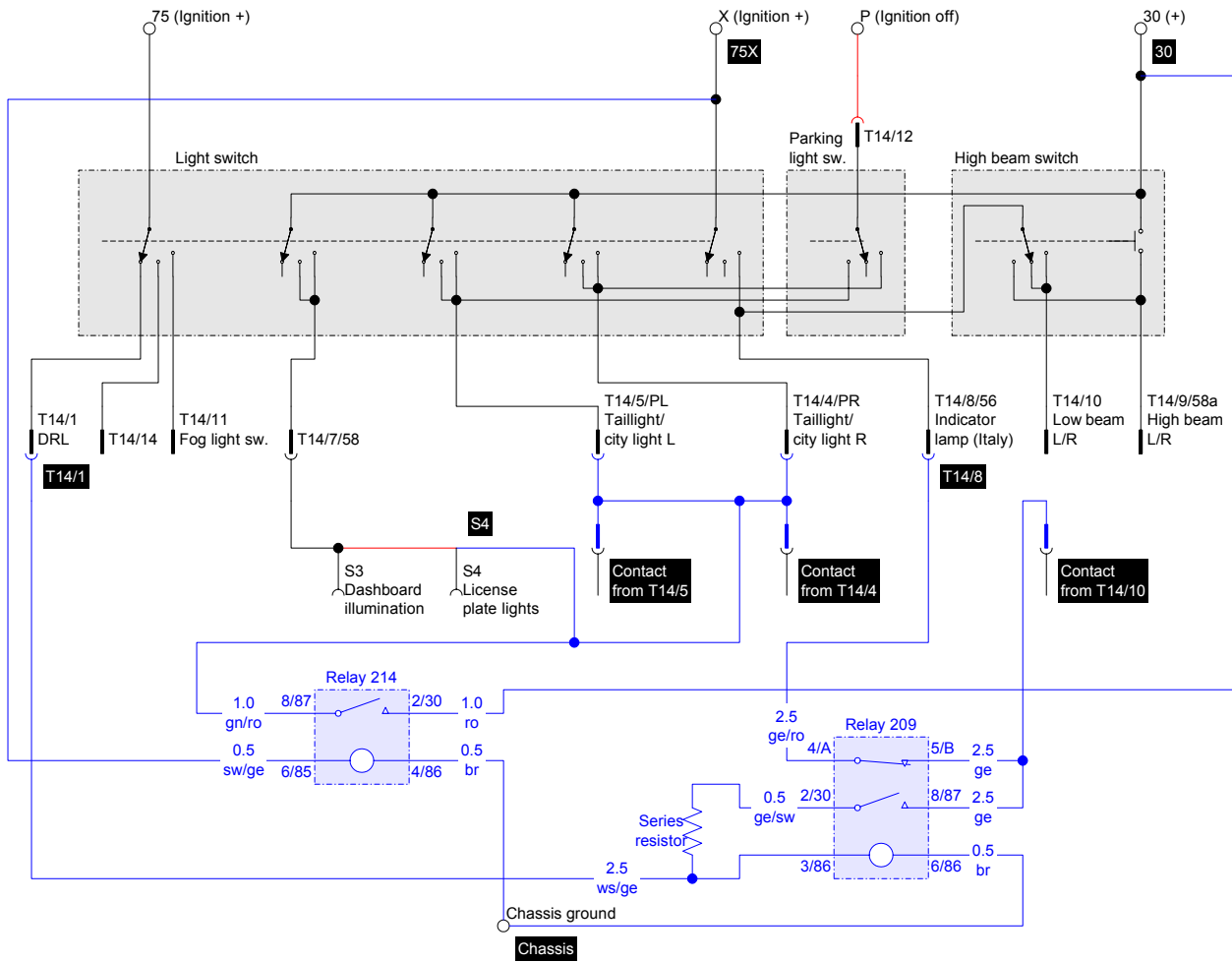


A4 DRL Mod



Red Components to remove

Blue Newly installed components

S3 Fuse #3 in fuse box

S4 Fuse #4 in fuse box

T14 14-pin connector on light switch