

Model **Year** **MG:** **SG:** **Illustration**

A6Q

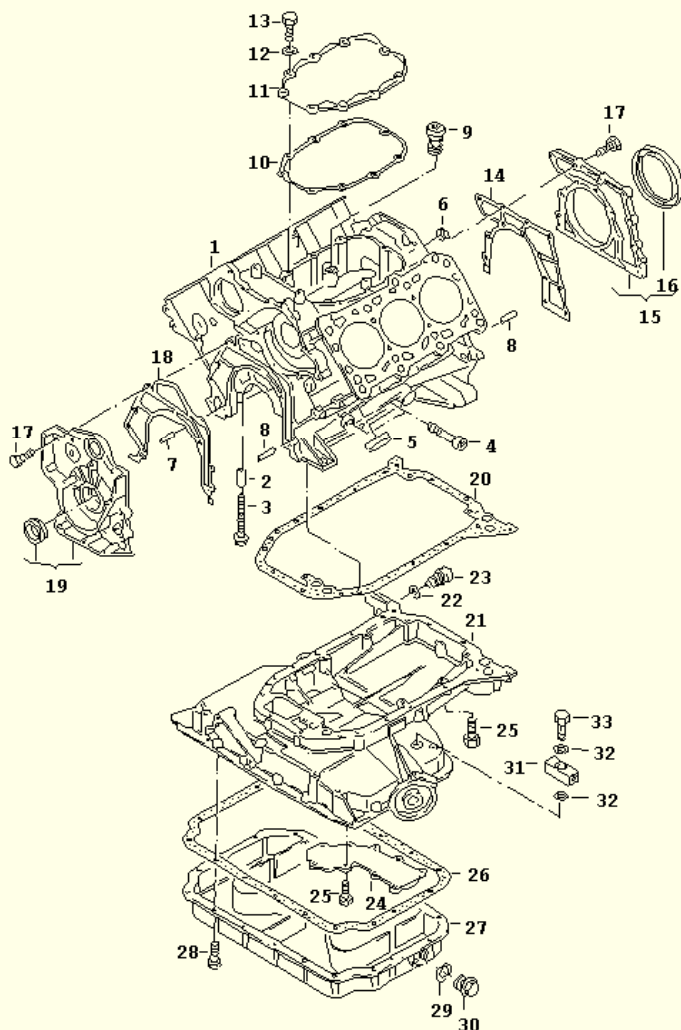
95

1

03

103

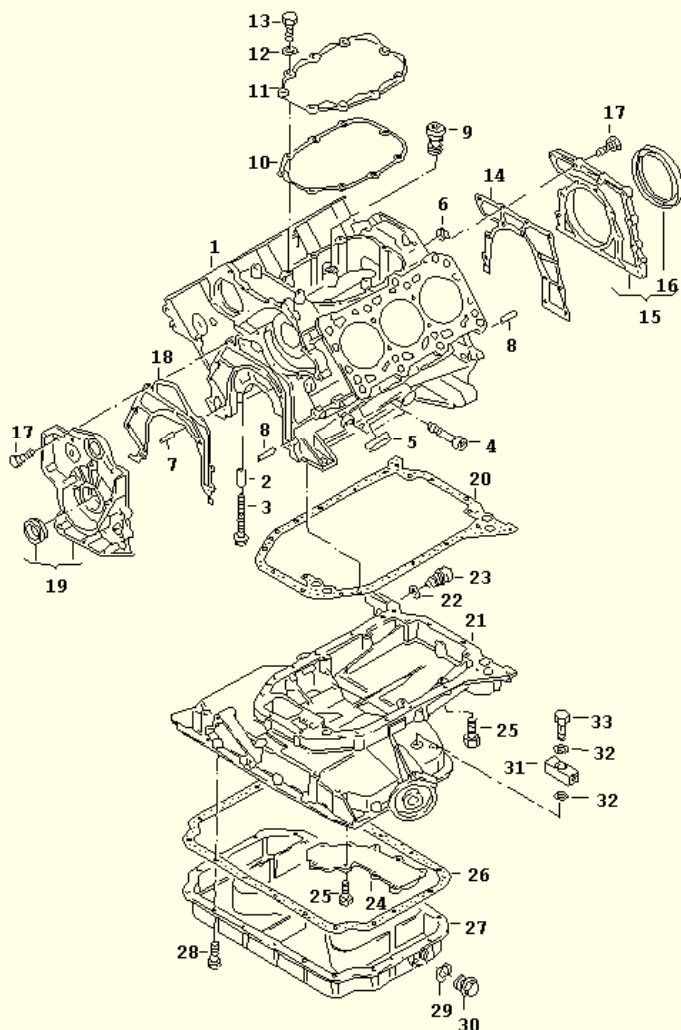
Page up illustration and text



Pos	Part Number	Name	Remarks	Qty	Model
		cylinder block with pistons oil sump	2.6/2.8ltr.		6 CYLINDER: AFC
1	078 103 101 F	cylinder block with pistons		1	AFC
2	N 905 050 01	housing for lighter	13X30,5	8	
3	078 103 039	outer torx head screw	M11X1,5X90	8	
4	N 014 715 3	bolt, with hex. socket hd.	M8X45	4	
5	059 103 113	cover	36,6	6	
6	N 011 903 3	cover	16	1	
7	055 105 277	pin	6,2X22	4	
8	N 043 207 2	dowel pin	8H8X14	4	
9	078 103 175 D	check valve		2	
10	078 103 771	gasket		1	
11	078 103 773	cover		1	
12	N 011 524 23	washer	A6,4X12,5X1,6	12	
13	N 010 217 10	screw, hex. hd.	M6X20	9	
14	078 103 181	gasket		1	
15	078 103 171 H	sealing flange	rear	1	
(17)	N 010 215 27	screw, hex. hd.	M6X15	14	
			also use: N 011 524 2314		
-	N 011 524 23	washer	A6,4X12,5X1,6	14	
18		see illustration: 115-40			
19		see illustration: 115-40			
(20)	* 078 103 609 F	gasket F 4A-S-026 715>>		1	

Model **A6Q** Year **95** MG: **1** SG: **03** Illustration **103-30**

Page text



Pos	Part Number	Name	Remarks	Qty	Model
		cylinder block with pistons	2.6/2.8ltr.		6 CYLINDER:
		oil sump			AFC
(20)	* 078 103 609 F	gasket F 4A-S-026 715>>		1	
(21)	078 103 603 K	oil sump-upper part F 4A-S-026 715>>		1	
22	N 904 520 02	round seal	11X3	1	
23	078 121 951	drain plug		1	
(24)	078 103 111	gear carrier F 4A-S-026 715>>		1	
25	N 010 217 10	screw, hex. hd.	M6X20	30	
(26)	078 103 609 G	gasket F 4A-S-026 715>>		1	
(27)	078 103 604 F	oil sump-lower part F 4A-S-026 715>>		1	
(28)	N 901 224 01	bolt, with hex. socket hd. (combi.)	M6X20	18	
29	N 043 854 1	sealing washer	A26X31X2	1	
30	059 103 193	plug	M26X1,5	1	
31	078 103 717 B	distributor piece		1	
32	N 013 808 5	sealing washer	A10X16	X	
33	N 905 455 01	banjo bolt	6	1	
-	078 198 011 A	set of gaskets for cylinder block F 4A-S-026 715>>		1	

--- E N D ---