
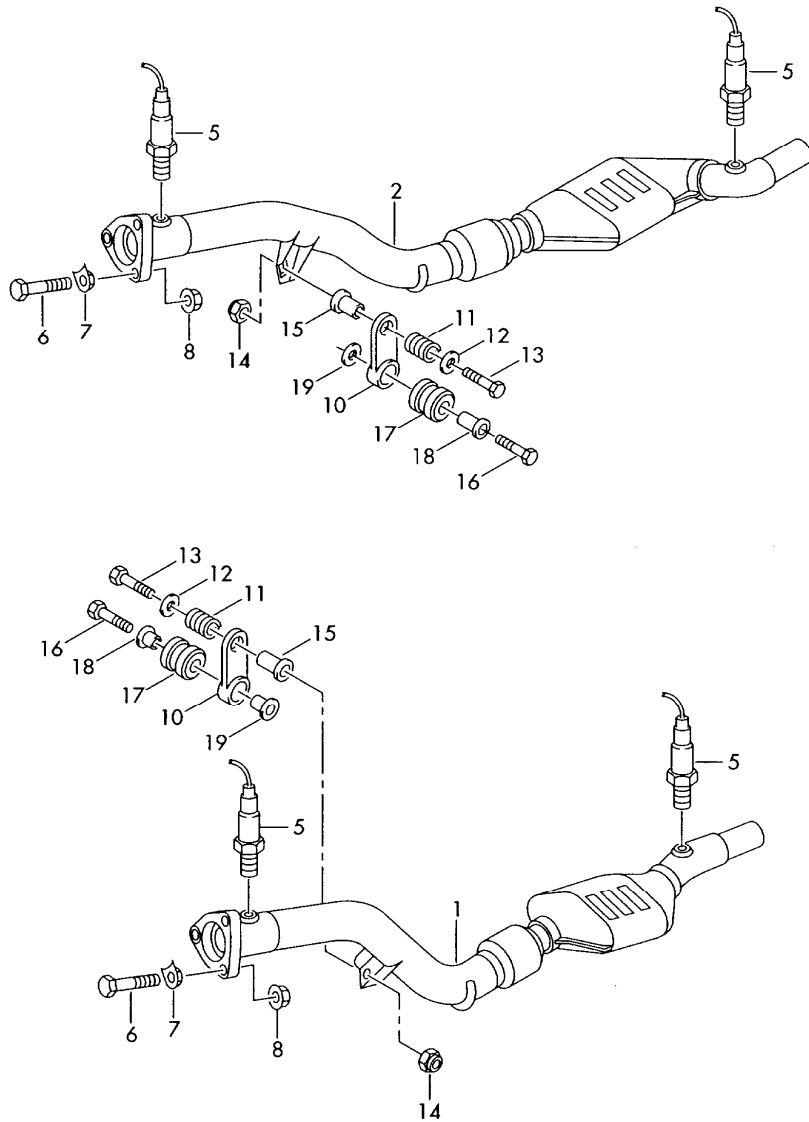


Model	Year	MG	SG	Illustration	Restrictions	UPD	20:40	01.01.2013		ETKA
A6Q	1999	2	53	253-78		622				



Pos	Part Number	Name	Remarks	Qty	Model
		exhaust pipe with catalyst			5 speed-automatic: ART,AWN
1	#4B3 253 057 AX	exhaust pipe with catalyst	left	1	ART
1	#4B3 254 500 CX	exhaust pipe with catalyst	left	1	ART
(1)	#4B3 253 057 BX	exhaust pipe with catalyst	left	1	AWN
2	#4B3 253 058 AX	exhaust pipe with catalyst	right	1	ART
(2)	#4B3 253 058 BX	exhaust pipe with catalyst	right	1	AWN
5		oxygen sensor see illustration:	906-00		
6	N 010 345 11	screw, hex. hd.	M8X45	6	
7	4D0 253 089 A	retainer		6	
8	+ N 902 002 01	shouldered hex. nut, self-locking	AM8	6	
10	4D0 253 295 C	plate		2	
11	893 253 353	pressure spring		2	
12	+ N 011 670 16	washer	8,4X24X2	2	
13	N 040 301 5	screw, hex. hd.	M8X48	2	
14	+ N 900 744 01	hex. nut, self-locking	M8	2	
15	4A0 253 205 B	spacer sleeve		2	
16	N 103 076 02	screw, hex. hd.	M10X55	2	
17	443 253 149 B	rubber bush		2	
18	4A0 253 205 E	spacer sleeve	14X2,5X28	2	
19	N 011 672 8	washer	B10,5X30X2,5	2	