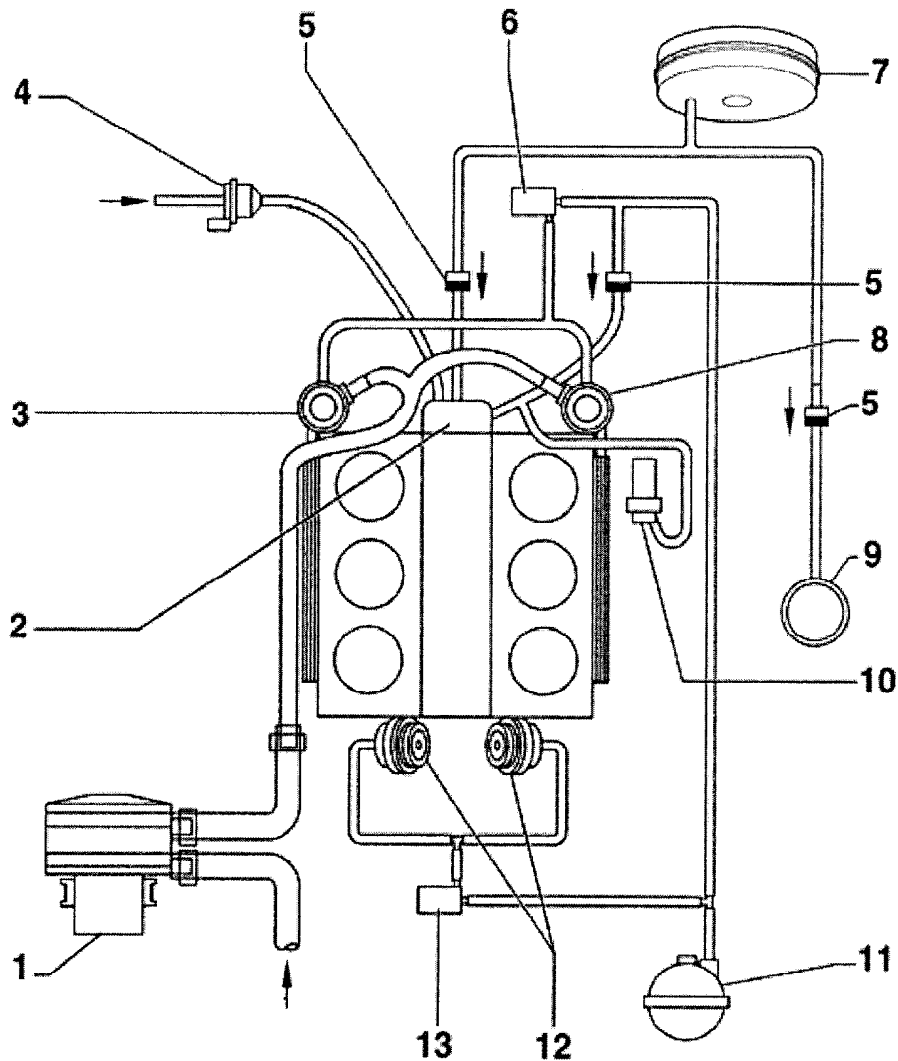


Fig. 4: Vacuum Diagram (A4 & A6 - 3.0L)
 Courtesy of AUDI OF AMERICA, INC.
 2003 Audi A6



Vacuum diagram

1. Secondary Air Injection Pump (V101)
2. Throttle Valve Control Module (J338)
3. Right Secondary Air Injection Combination Valve
4. EVAP Canister Purge Regulator Valve (N80)
5. Vacuum Check Valve
6. Secondary Air Injection Solenoid Valve (N112)
7. Brake Booster
8. Left Secondary Air Injection Combination Valve
9. Electric Vacuum Pump for Brakes (A/T Only) - (V192)
10. Fuel Pressure Regulator
11. Vacuum Reservoir
12. Vacuum Actuator (Intake Manifold Change-Over)
13. Intake Manifold Change-Over Valve (N156)

G00222214