
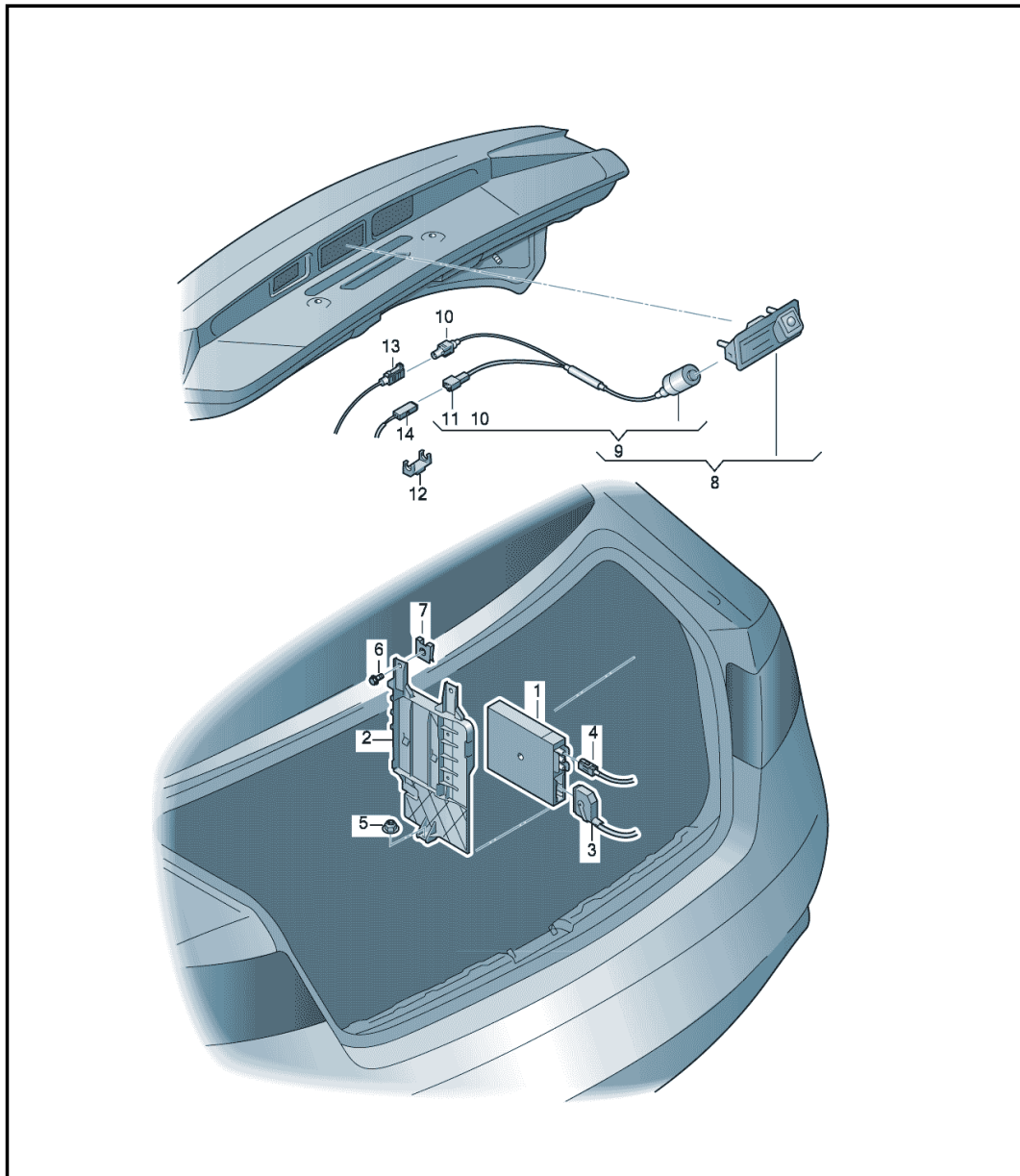


Model	Year	MG	SG	Illustration	Restrictions	UPD	13:39	14.07.2015	 Audi	ETKA
AQ5	2015	9	07	907-040		1076				



Pos	Part Number	Name	Remark	Qty	Model
		parking aid with reversing camera system			PR-7X7,7X8
1	8R0 907 441 A	control unit for reversing camera system		1	
(1)	8R0 907 441 B	control unit for reversing camera system		1	"J.."
(2)	8R0 035 209 B	mounting for control module	left rear	1	
3	4E0 972 144	flat contact housing with contact locking mechanism	54 pin black/blue	1	
4		connector housing for antenna wire		X	
		see catalogue:	electr. connecting elements		
5	N 015 082 10	shouldered hex. nut		1	
6	N 090 148 6	bolt, hex. hd. (combi.)	M6X15	2	
7	N 901 686 04	speed nut	M6X23,4X16	2	
8		button for electrically operated flap - lock			
		with:			
		rear view camera	see illustration, item:		827-000,16
9		rear view camera	not a spare part		
10	6Q0 035 575 K	connector housing for antenna-stud-plug	1 point	X	
		to be used for:	all colors		
11	1J0 972 712	flat connector housing with additional contact catch	2 pin	1	
12	8P0 971 848 L	bracket for connector housing		1	
13	6Q0 035 576 K	connector housing for antenna-bush-plug	1 point	X	
		to be used for:	all colors		
14	1J0 972 923	flat contact housing with contact locking mechanism	2 pin	1	