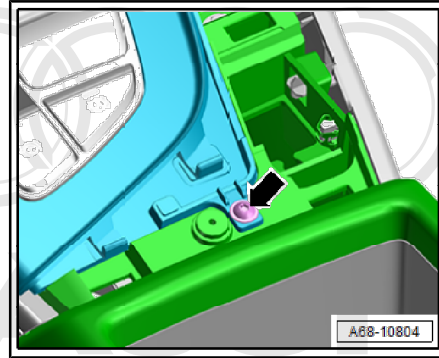
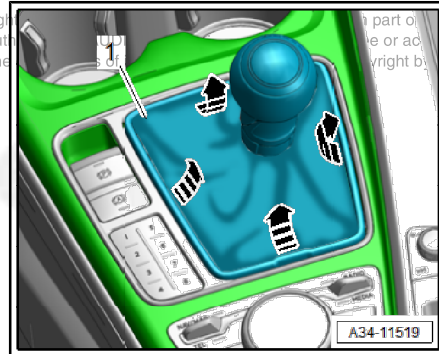


Removing

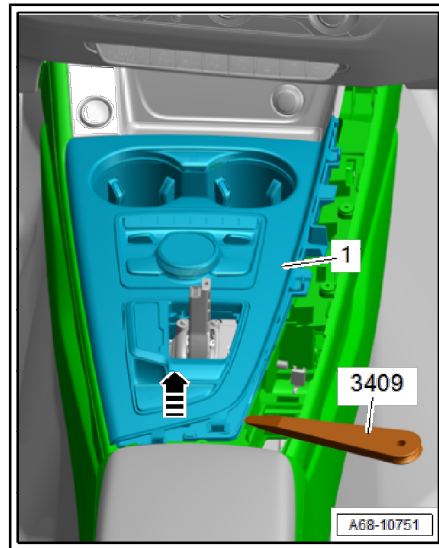
- Remove the center console decorative trim. Refer to ⇒ [“3.9.1 Center Console Decorative Trim, Removing and Installing”, page 58](#) .
- If installed, remove the screw -arrow-.



- Versions with gearshift lever: lift the shift lever boot -1- by hand or carefully pry it out at the side using the -3409- -arrows- and fold it upward.
- Versions with selector lever: remove the selector lever handle. Refer to ⇒ Manual Transmission; Rep. Gr. 34 ; Selector Mechanism; Selector Lever Handle, Removing and Installing .



- Starting at the back, unclip the center console insert upward from the center console -arrow- using the -3409- .
- Disengage the remaining retainers for the center console insert.
- Carefully turn the center console insert -1-, disconnect the connectors and remove them.



Installing

Install in reverse order of removal.

Installation instructions: for example tightening specifications, replacing components. Refer to ⇒ [“3.1 Overview - Center Console”, page 47](#) .

3.5 Front Center Console Storage Compartment, Removing and Installing

⇒ [“3.5.1 Front Storage Compartment, Removing and Installing”, page 55](#)

⇒ [“3.5.2 Rear Storage Compartment, Removing and Installing”, page 55](#)

⇒ [“3.5.3 Multimedia Devices Storage Compartment, Removing and Installing”, page 56](#)

3.5.1 Front Storage Compartment, Removing and Installing

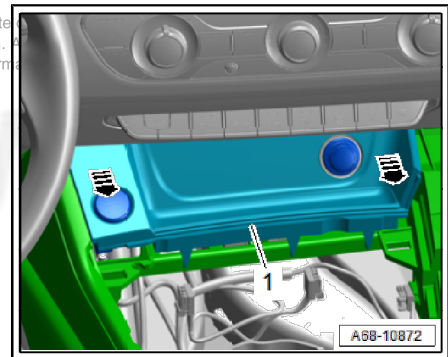
Removing

- Remove the center console insert. Refer to [“3.4 Center Console Insert, Removing and Installing”, page 53](#).
- Remove the storage compartment -1- from the center console toward the rear -arrows-.
- Disconnect the connectors.

Installing

Install in reverse order of removal.

Installation instructions: for example tightening specifications, replacing components. Refer to [“3.1 Overview - Center Console”, page 47](#).



3.5.2 Rear Storage Compartment, Removing and Installing

Removing

- Remove the storage compartment -1- from the center console by hand toward the rear -arrow-.

Installing

Install in reverse order of removal.

Installation instructions: for example tightening specifications, replacing components. Refer to [“3.1 Overview - Center Console”, page 47](#).

