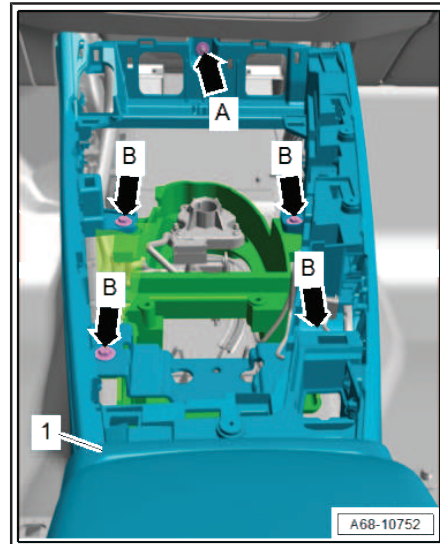


- Remove the nut -arrow A-.
- Remove the bolts -B arrows-.
- Disconnect the connectors and free up the wires.
- Lift up the back of the center console -1- slightly, pull it toward the rear and remove it.

Installing

Install in reverse order of removal.

Installation instructions: for example tightening specifications, replacing components. Refer to
⇒ ["3.1 Overview - Center Console", page 47](#) .



3.9 Center Console Decorative Trim, Removing and Installing

⇒ ["3.9.1 Center Console Decorative Trim, Removing and Installing", page 58](#)

⇒ ["3.9.2 Center Console Insert Decorative Trim, Removing and Installing", page 59](#)

⇒ ["3.9.3 Center Console Insert Decorative Frame, Removing and Installing", page 60](#)

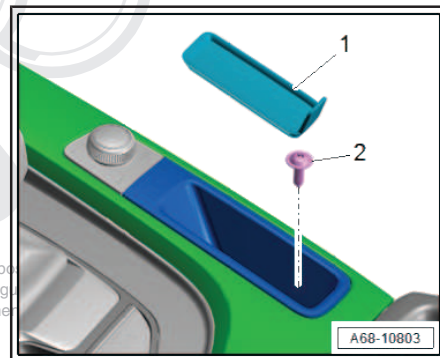
3.9.1 Center Console Decorative Trim, Removing and Installing

Special tools and workshop equipment required

- ◆ Wedge Set - T10383-

Removing

- If installed, remove the storage compartment trim -1- and remove the screw -2- underneath it.



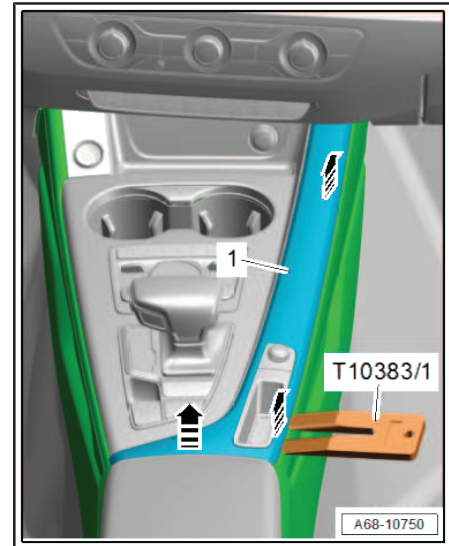
Protected by copyright. Copying for private or commercial purposes is not permitted unless authorised by AUDI AG. AUDI AG does not guarantee the correctness of information in this document.

- Starting at the back, unclip the center console decorative trim -1- upward from the center console -arrows- using the - T10383/1- .
- Disengage the remaining retainers for the center console decorative trim.
- Pull the center console decorative trim out toward the rear, disconnect the connectors and remove the decorative trim.

Installing

Install in reverse order of removal.

Installation instructions: for example tightening specifications, replacing components. Refer to [⇒ "3.1 Overview - Center Console", page 47](#) .



3.9.2 Center Console Insert Decorative Trim, Removing and Installing

Protected by copyright. Copying for private or commercial purposes, in part or in whole, is not permitted without the express written consent of Audi AG. Audi AG does not guarantee or accept any liability with respect to the correctness of information in this document. Copyright by AUDI AG.

Special tools and workshop equipment required

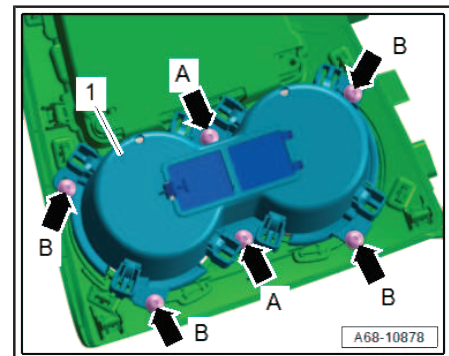
- ◆ Trim Removal Wedge - 3409-

Removing

- Remove the center console insert (refer to [⇒ "3.4 Center Console Insert, Removing and Installing", page 53](#)) and place it on a soft surface.
- Remove the bolts -A arrows-.



Ignore the other -items-.

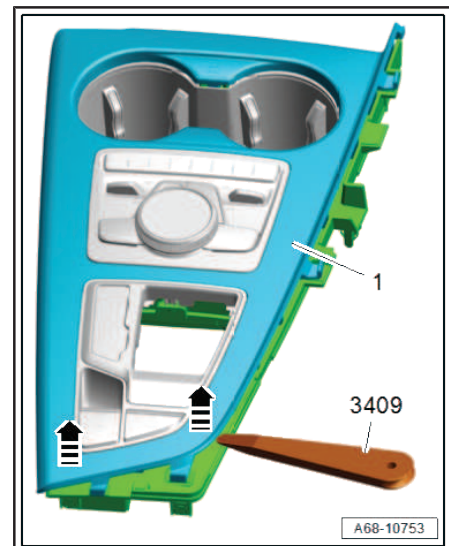


- Starting at the back, unclip the decorative trim -1- from the center console insert -arrows- using the -3409- .
- Carefully disengage the remaining retainers for the decorative trim and remove the decorative trim.

Installing

Install in reverse order of removal.

Installation instructions: for example tightening specifications, replacing components. Refer to [⇒ "3.1 Overview - Center Console", page 47](#) .



3.9.3 Center Console Insert Decorative Frame, Removing and Installing

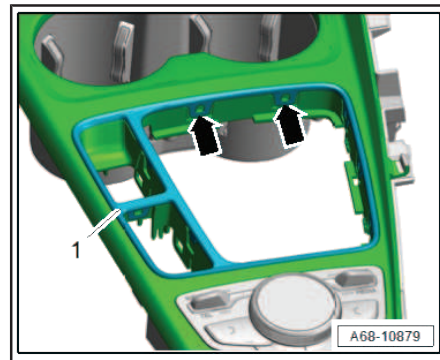
Removing

- Remove the center console insert. Refer to ⇒ [“3.4 Center Console Insert, Removing and Installing”, page 53](#) .
- Remove the electromechanical parking brake button. Refer to ⇒ Electrical Equipment; Rep. Gr. 96 ; Controls; Electromechanical Parking Brake Button - E538- / -AUTO HOLD- Button - E540- , Removing and Installing .
- Remove the Multimedia Button Module - E817- . Refer to ⇒ Communication; Rep. Gr. 91 ; Infotainment System; Component Location Overview - Infotainment System .
- Carefully release the retainers -arrows- using a small screwdriver and press the decorative frame -1- out at the same time.
- Release the remaining retainers and remove the decorative frame.

Installing

Install in reverse order of removal.

Installation instructions: for example tightening specifications, replacing components. Refer to ⇒ [“3.1 Overview - Center Console”, page 47](#) .



3.10 Cupholder, Removing and Installing

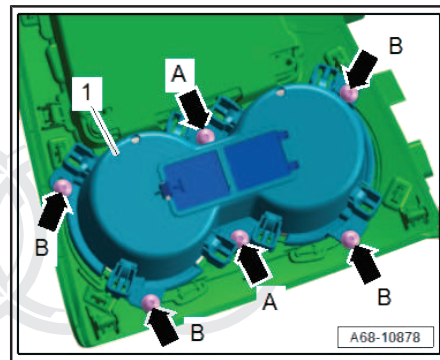
Removing

- Remove the center console insert (refer to ⇒ [“3.4 Center Console Insert, Removing and Installing”, page 53](#)) and place it on a soft surface.
- Remove the screws -A and B arrows-.
- Remove the cupholder -1-.

Installing

Install in reverse order of removal.

Installation instructions: for example tightening specifications, replacing components. Refer to ⇒ [“3.1 Overview - Center Console”, page 47](#) .



3.11 Rear Center Console Vent, Removing and Installing

Special tools and workshop equipment required

- ◆ Hook Tool - T40207-

Copyright by Audi AG. Copying for private or commercial purposes, in part or in whole, is not permitted unless authorised by AUDI AG. AUDI AG does not guarantee or accept any liability with respect to the correctness of information in this document. Copyright by AUDI AG.