

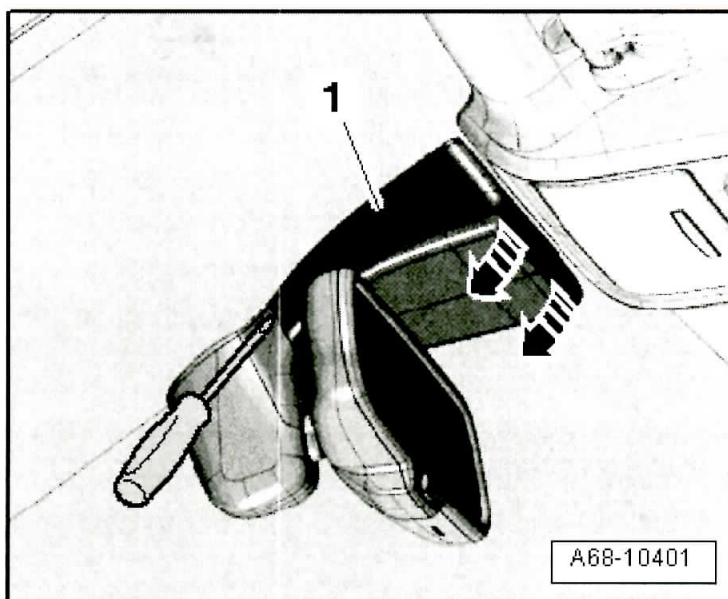
Interior Rearview Mirror, Removing and Installing

Observe general notes when removing and installing. Refer to Chapter "Automatic Dimming Interior Rearview Mirror Safety Precautions".

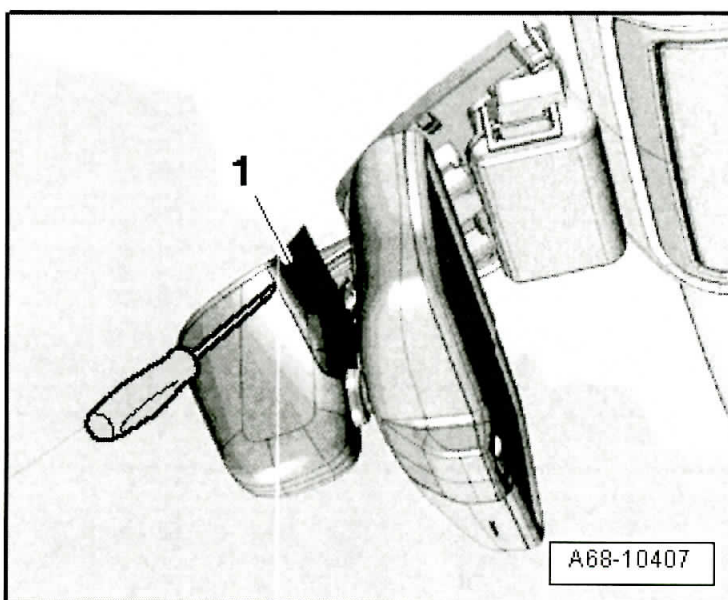
Removing

Interior Rearview Mirror with Optional Equipment

- Remove the lower cover -1- in direction of -arrows-.
- Using a screwdriver, unclip and remove the lower cover.

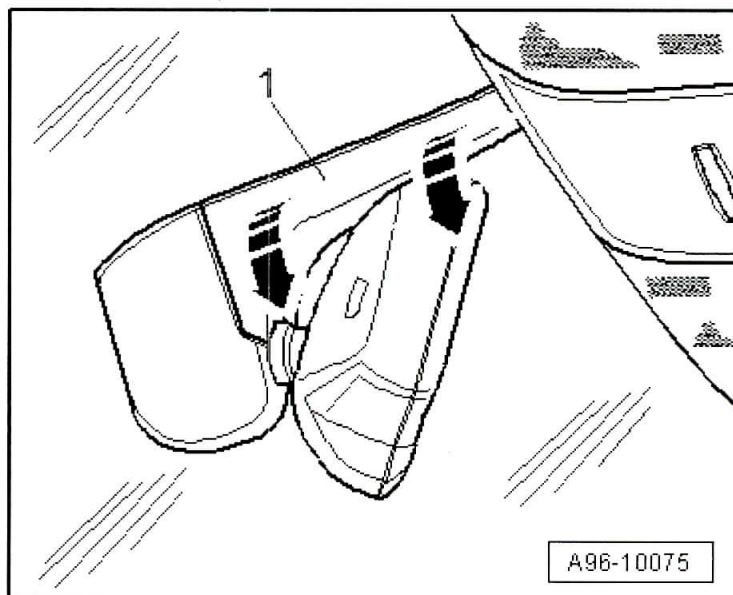


- Unclip cover -1- at the mirror base using a screwdriver and remove it.

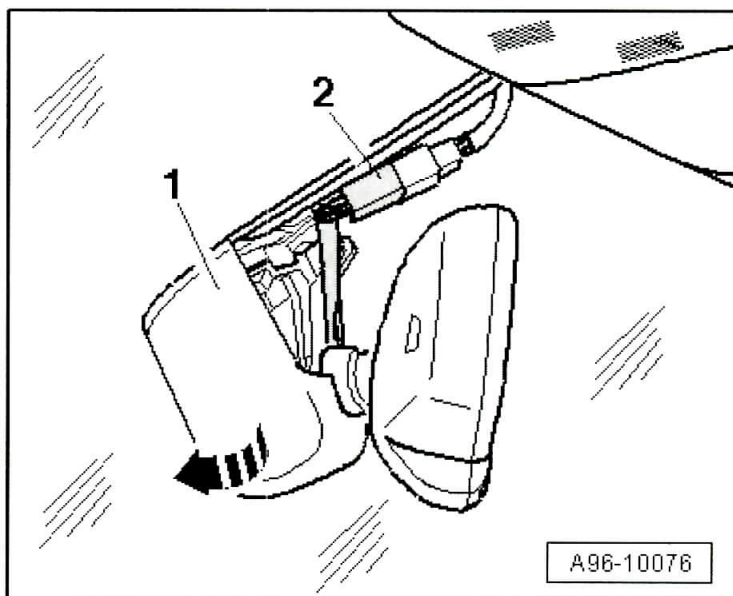


Interior Rearview Mirror without Optional Equipment

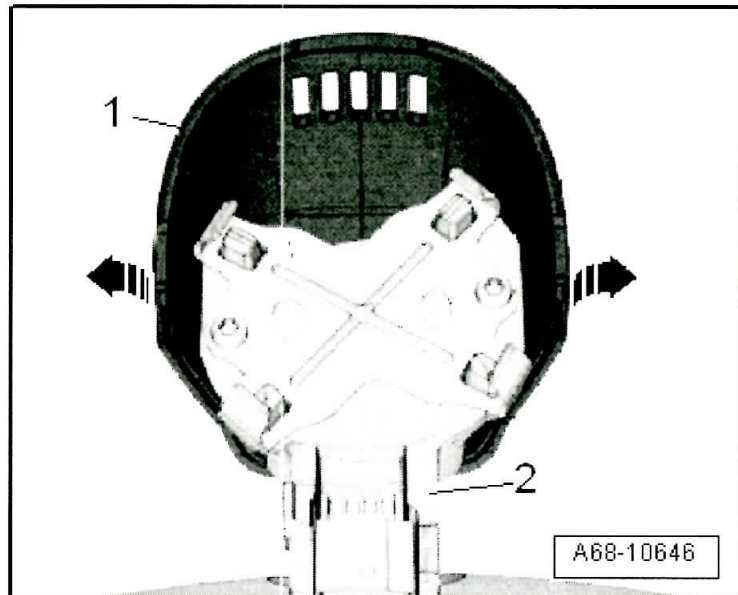
- Pry off cover -1- at the bottom of the mirror base -arrows-.

**Continuation for All Mirror Versions**

- Remove the connector -2- from the bracket and disconnect it.
- Turn interior rearview mirror at the mirror base -1- counterclockwise -arrow- as far as the stop and remove from the retaining plate.



- Carefully disengage the tabs -arrows- and remove the front cover -1- downward out of the guide rods on the rearview mirror base -2-.



Installing

Install in reverse order of removal. Note the following:

- Always replace clips -2 and 5- for the interior rearview mirror if removed. For the correct allocation. Refer to the Parts Catalog .
- Position the interior rearview mirror turned 30° with respect to the installation position.
- Turn the interior rearview mirror counterclockwise as far as stop.

Installation notes, for example tightening specifications, replacing components.

Refer to → Chapter „ Overview - Interior Rearview Mirror“.

