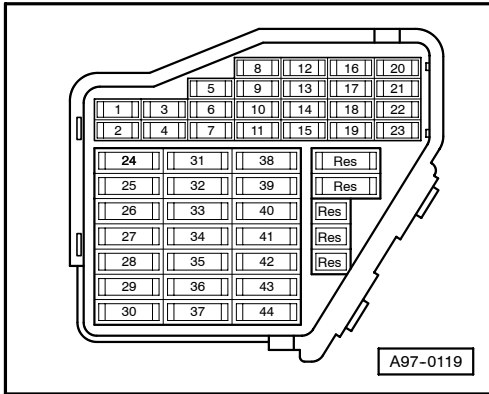


**Central Locking System / Anti Theft Alarm System /  
Ultra-Sound Interior Monitor**

2003 m. y.

**Fuse Panel**

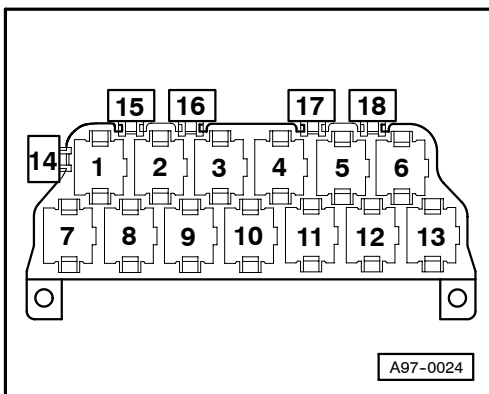


**Fuse Colors:**

- 30 A - Green
- 25 A - White
- 20 A - Yellow
- 15 A - Blue
- 10 A - Red
- 7,5 A - Brown
- 5 A - Beige

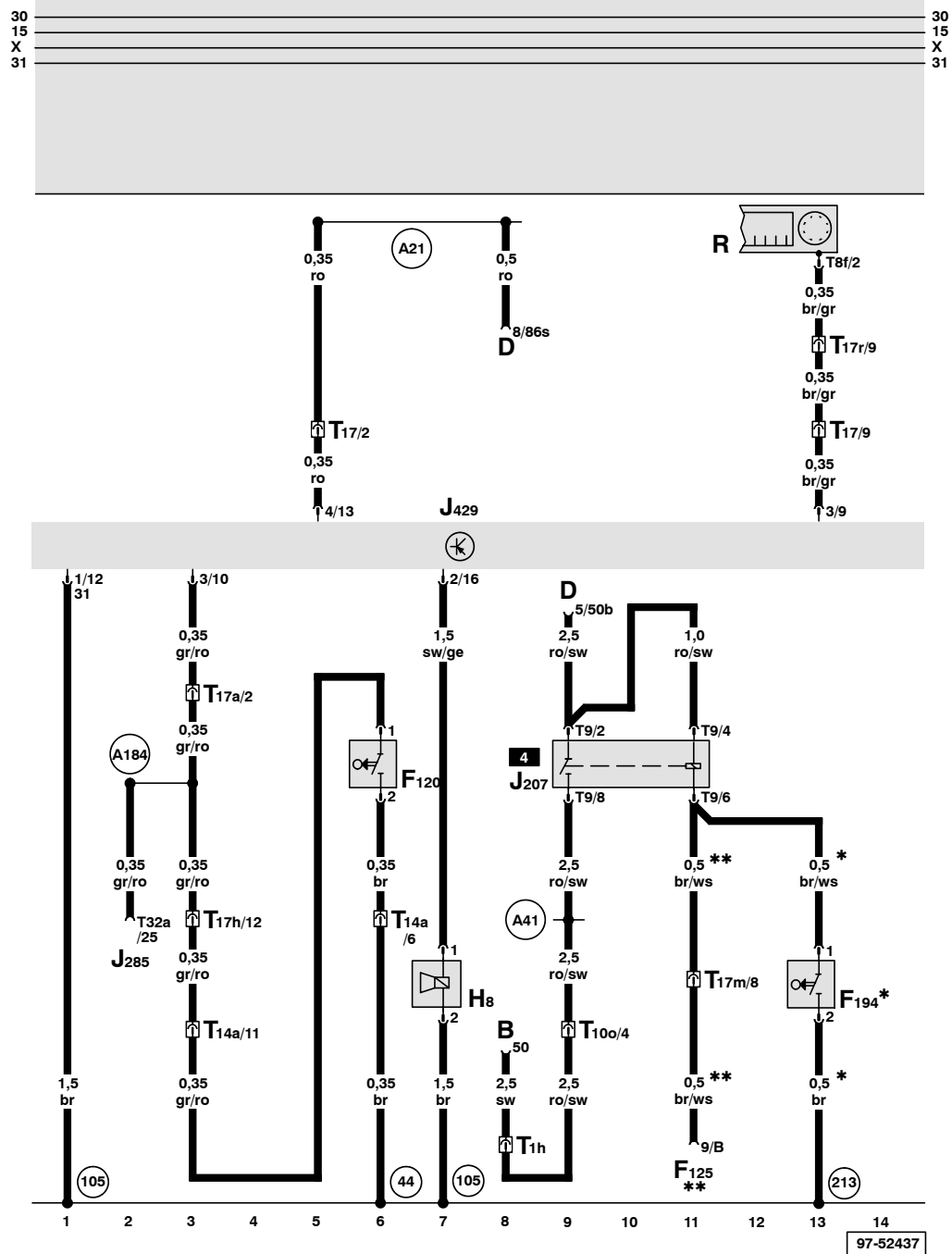
Starting with fuse position 23, fuses in the fuse holder are identified with 223 in the wiring diagram.

**13 - Fold Relay Panel**



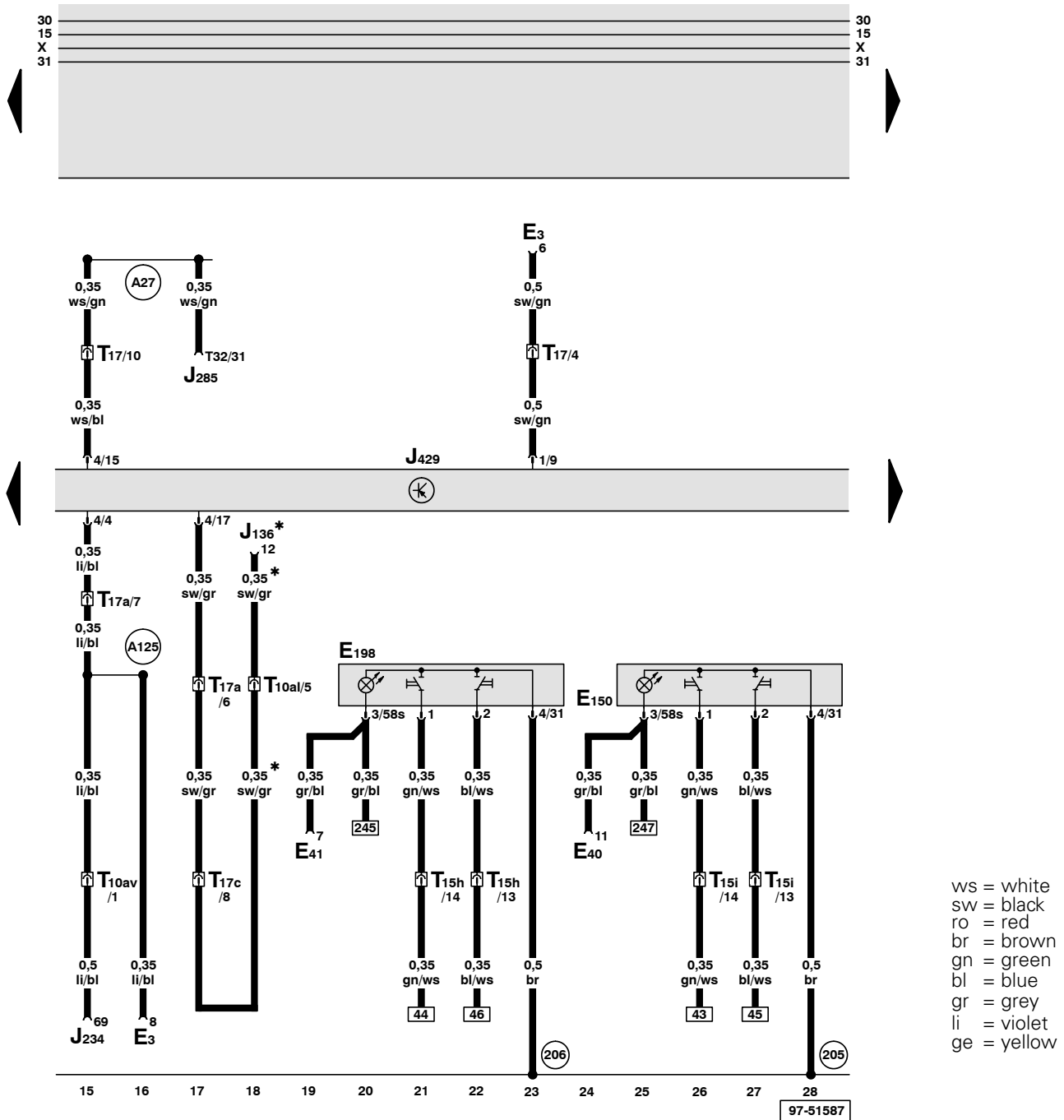
**Relay Location:**

- 4** -Starting Interlock Relay, J207

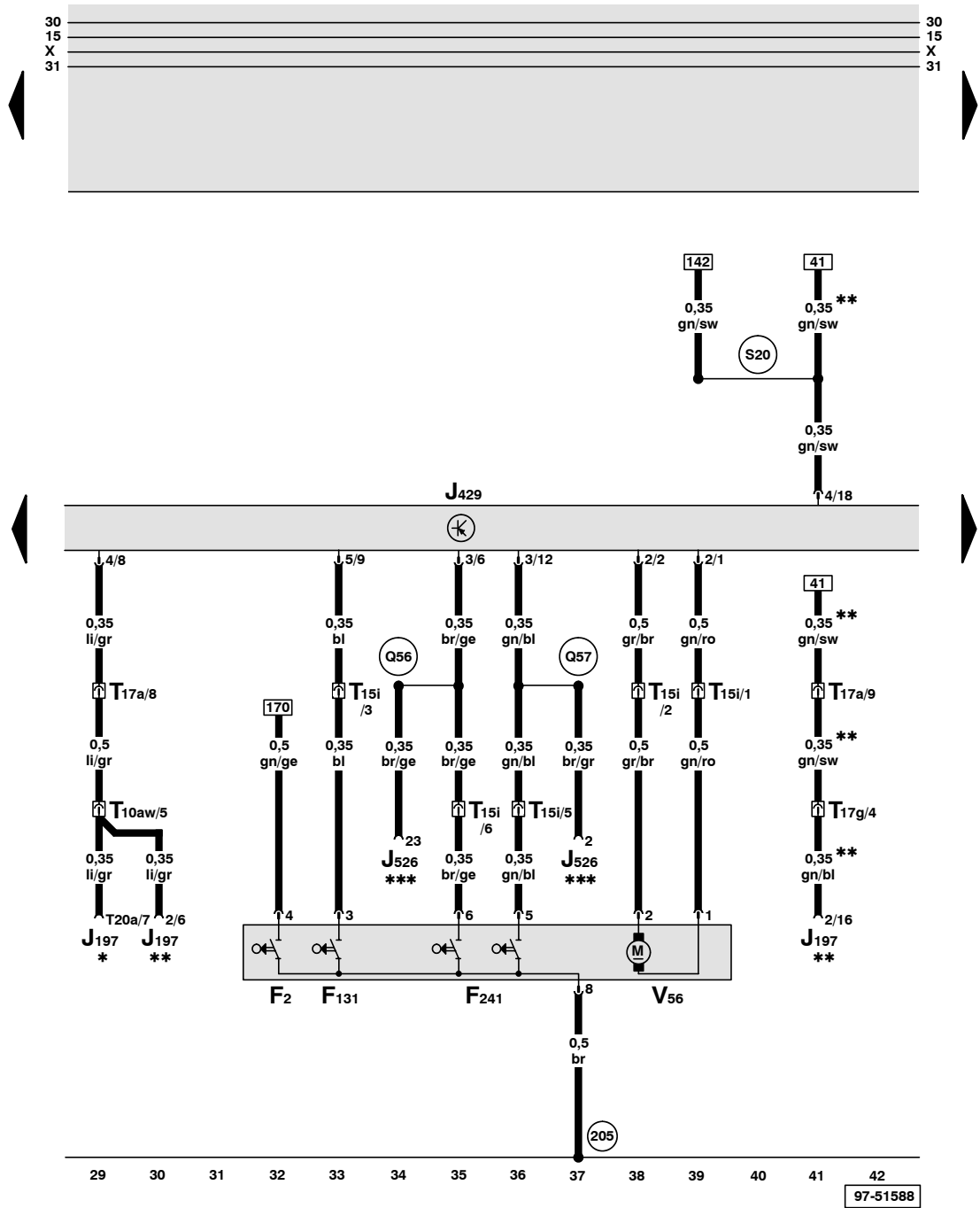


ws = white  
sw = black  
ro = red  
br = brown  
gn = green  
bl = blue  
gr = grey  
li = violet  
ge = yellow

- B - Starter
- D - Ignition/Starter Switch
- F120 - Hood Alarm Switch
- F125 - Multi-Function Transmission Range (TR) Switch
- F194 - Clutch Pedal Position (CPP) Switch
- H8 - Alarm Horn
- J207 - Starting Interlock Relay
- J285 - Control Module with indicator unit in instrument panel insert
- J429 - Control module for central locking
- R - Radio
- T1h - Single connector, black, in engine compartment, right
- T8f - Connector 8 pin, black, connector radio III
- T9 - Connector 9 pin, brown, on starting interlock relay
- T10o - Connector 10 pin, brown, connector station electronic box plenum chamber
- T14a - Connector 14 pin, black, in engine compartment, left front
- T17 - Connector 17 pin, orange, connector station A pillar, right
- T17a - Connector 17 pin, brown, connector station A pillar, right
- T17h - Connector 17 pin, brown, connector station A pillar, left
- T17m - Connector 17 pin, blue, connector station A pillar, right
- T17r - Connector 17 pin, white, behind instrument panel, center
- T32a - Connector 32 pin, green, on instrument cluster
- 44 - Ground connection, on left A-pillar, lower part
- 105 - Ground connection -1, in central locking system wiring harness
- 213 - Ground connection, in instrument panel wiring harness
- A21 - Wire connection (86s), in instrument panel wiring harness
- A41 - Plus connection (50), in instrument panel wiring harness
- A184 - Front Hood Contact Switch Connection (in instrument panel wiring harness)
- \* - Vehicles with manual transmission
- \*\* - Vehicles with automatic transmission



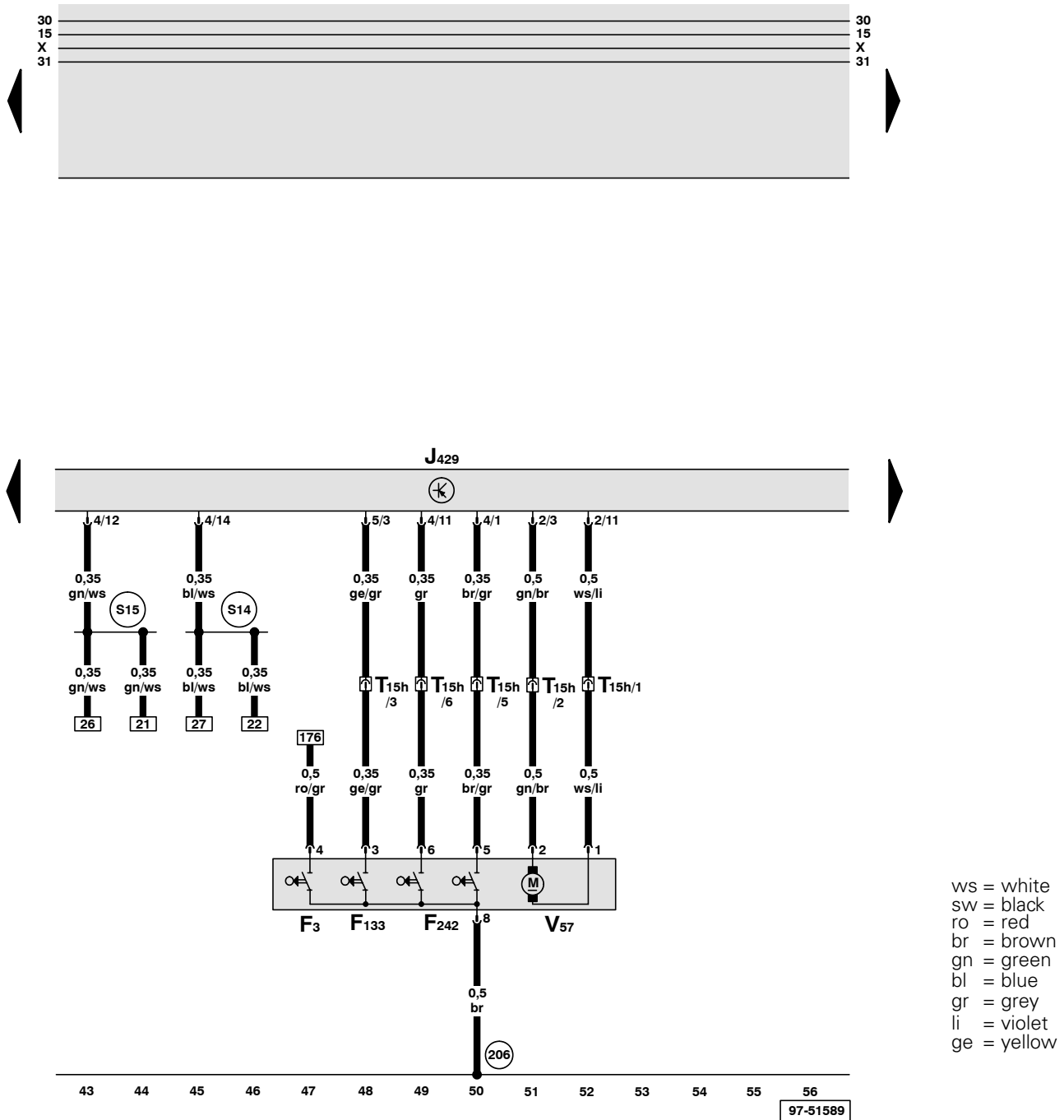
- E3 - Emergency Flasher Switch
  - E40 - Left Front Window Switch
  - E41 - Right Front Window Switch
  - E150 - Switch for interior lock, driver side
  - E198 - Passenger Side Interior Lock Switch
  - J136 - Memory Seat Control Module
  - J234 - Airbag Control Module
  - J285 - Control Module with indicator unit in instrument panel insert
  - J429 - Control module for central locking
  - T10al - Connector 10 pin, brown, below driver's seat
  - T10av - Connector 10 pin, yellow, connector station A pillar, right
  - T15h - Connector 15 pin, brown, connector station A pillar, right
  - T15i - Connector 15 pin, brown, connector station A pillar, left
  - T17 - Connector 17 pin, orange, connector station A pillar, right
  - T17a - Connector 17 pin, brown, connector station A pillar, right
  - T17c - Connector 17 pin, green, connector station A pillar, right
  - T32 - Connector 32 pin, blue, on instrument cluster
- (205) - Ground connection, in driver's door wiring harness
  - (206) - Ground connection, in passenger's door wiring harness
  - (A27) - Wire connection (vehicle speed signal), in instrument panel wiring harness
  - (A125) - Connection (crash signal) in instrument panel wiring harness
  - \* - Vehicles with Memory Seat



ws = white  
 sw = black  
 ro = red  
 br = brown  
 gn = green  
 bl = blue  
 gr = grey  
 li = violet  
 ge = yellow

- F2 - Door Contact Switch - Driver's side
- F131 - Left Front Central Locking System Activator/Switch
- F241 - Contact switch for lock cylinder, driver side
- J197 - Level Control System Control Module
- J429 - Control module for central locking
- J526 - Telephone/Telematic Control Module
- T10aw- Connector 10 pin, black, connector station A pillar, right
- T15i - Connector 15 pin, brown, connector station A pillar, left
- T17a - Connector 17 pin, brown, connector station A pillar, right
- T17g - Connector 17 pin, grey, in 8-Fold Relay Panel behind the storage driver's side
- T20a - Connector 20 pin, red, on Control Module for Level Control
- V56 - Driver's Door Central Locking System Motor

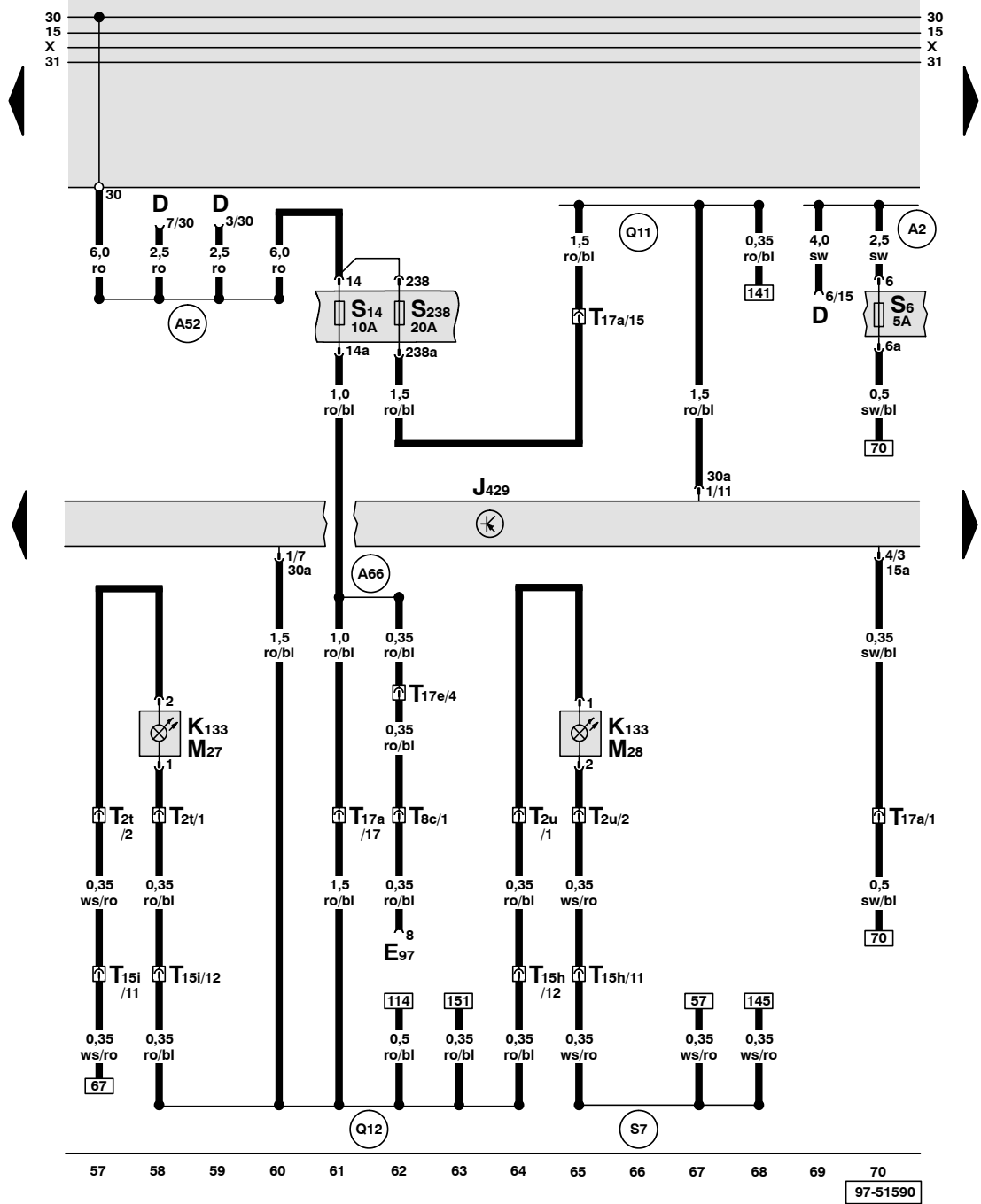
- (205) - Ground connection, in driver's door wiring harness
- (Q56) - Wire connection (open), in alarm system wiring harness
- (Q57) - Wire connection (closed), in alarm system wiring harness
- (S20) - Connector -4- in wiring harness central locking
- \* - Vehicles with Level Control System, not allroad
- \*\* - Vehicles with Level Control System, allroad
- \*\*\* - Vehicles with Telematics



ws = white  
 sw = black  
 ro = red  
 br = brown  
 gn = green  
 bl = blue  
 gr = grey  
 li = violet  
 ge = yellow

- F3 - Door Contact Switch - Passenger's side
- F133 - Right Front Central Locking System Activator/Switch
- F242 - Contact switch for lock cylinder, passenger side
- J429 - Control module for central locking
- T15h - Connector 15 pin, brown, connector station A pillar, right
- V57 - Passenger's Door Central Locking System Motor

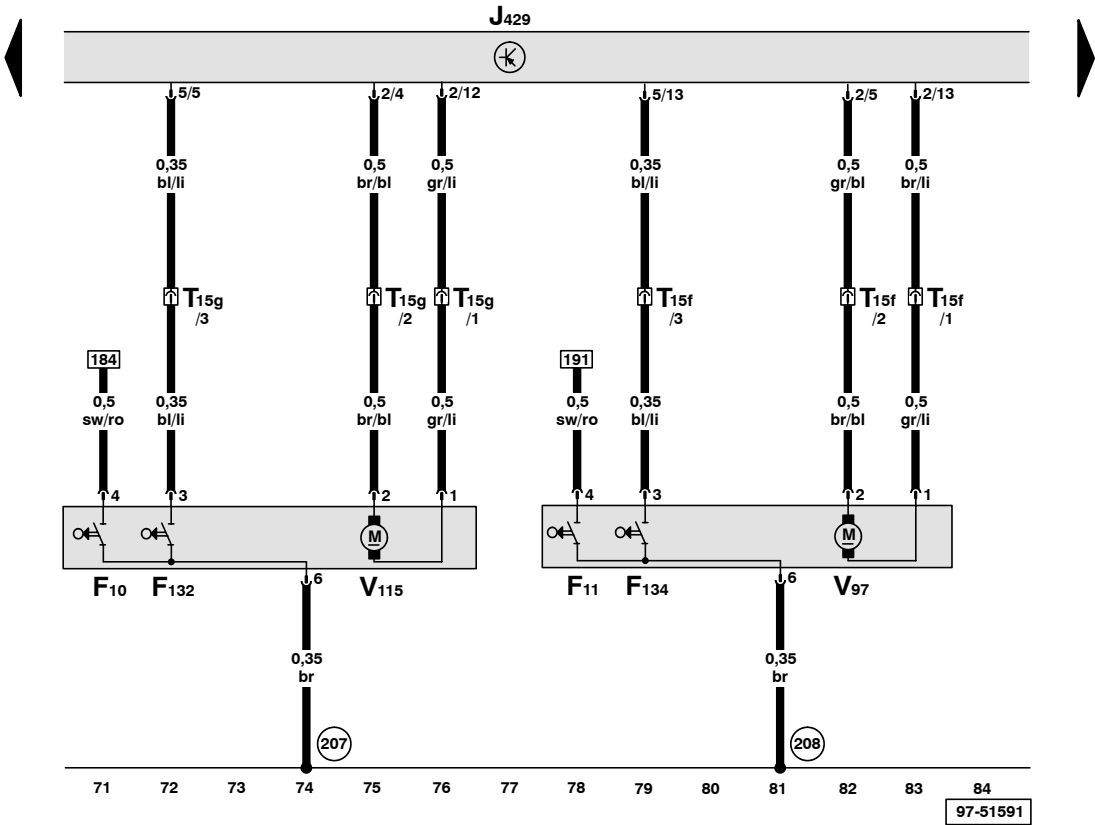
- (206) - Ground connection, in passenger's door wiring harness
- (S14) - Wire connection (open), in central locking system wiring harness
- (S15) - Wire connection (closed), in central locking system wiring harness



ws = white  
 sw = black  
 ro = red  
 br = brown  
 gn = green  
 bl = blue  
 gr = grey  
 li = violet  
 ge = yellow

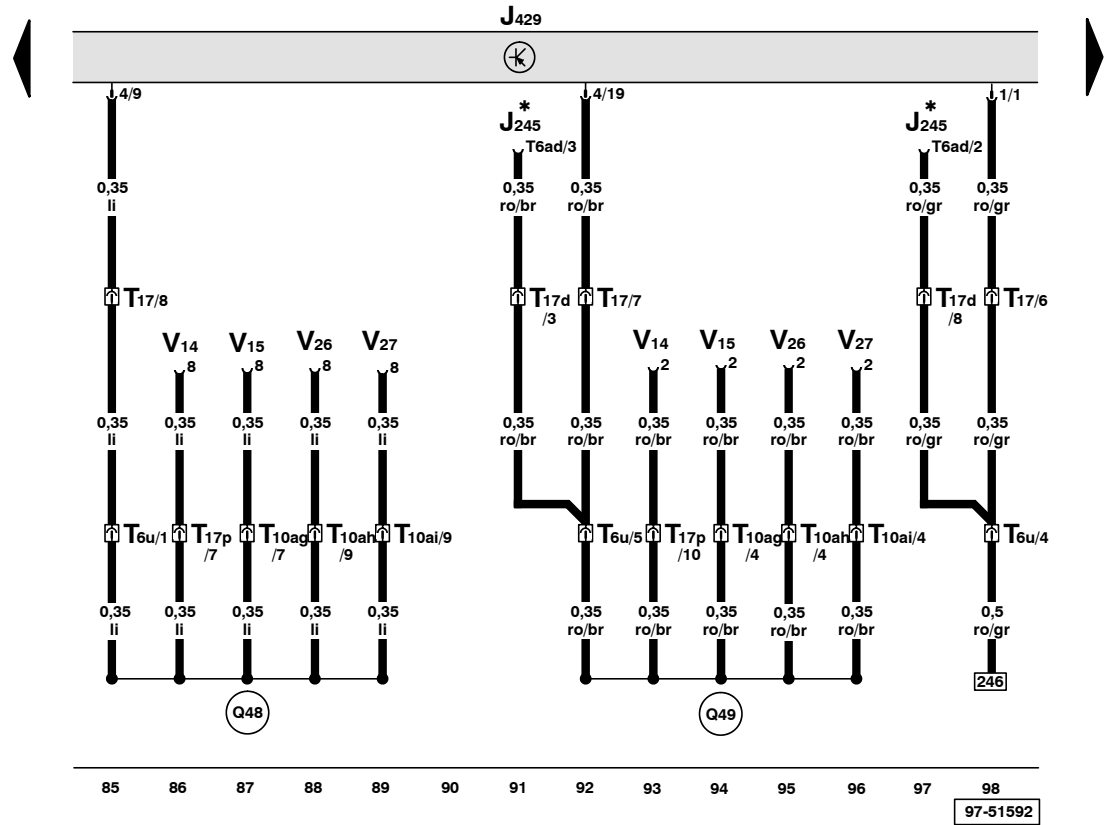
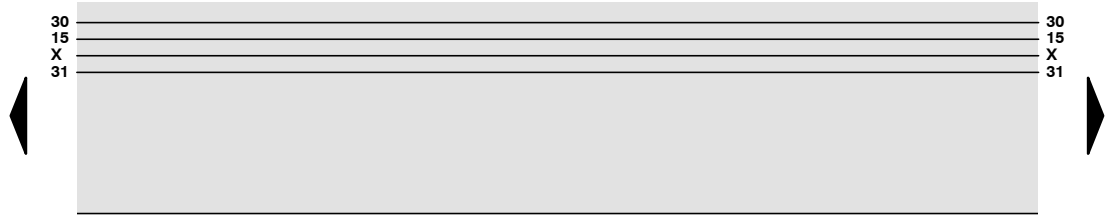
- D - Ignition/Starter Switch
- E97 - Driver's Seat Memory Program Control
- J429 - Control module for central locking
- K133 - Warning light for central locking -SAFE-
- M27 - Left Door Warning Light
- M28 - Right Door Warning Light
- S6 - Fuse
- S14 - Fuse
- S238 - Fuse 38 in fuse holder
- T2t - Connector 2 pin, black, in driver's door
- T2u - Connector 2 pin, black, in front passenger's door
- T8c - Connector 8 pin, black, in driver's door
- T15h - Connector 15 pin, brown, connector station A pillar, right
- T15i - Connector 15 pin, brown, connector station A pillar, left
- T17a - Connector 17 pin, brown, connector station A pillar, right
- T17e - Connector 17 pin, black, connector station A pillar, left

- (A2) - Plus connection (15), in instrument panel wiring harness
- (A52) - Plus connection -2- (30), in instrument panel wiring harness
- (A66) - Connector (30a, central locking/anti-theft warning system/IR), in instrument panel wiring harness
- (Q11) - Plus connection (30a), in power window/central locking system and door contact switch wiring harness
- (Q12) - Plus connection (30a), in power window/central locking system and door contact switch wiring harness
- (S7) - Wire connection -2-, in central locking system wiring harness



- F10 - Left Rear Door Contact Switch
- F11 - Right Rear Door Contact Switch
- F132 - Left Rear Central Locking System Activator/Switch
- F134 - Right Rear Central Locking System Activator/Switch
- J429 - Control module for central locking
- T15f - Connector 15 pin, blue, in connector station B pillar, right
- T15g - Connector 15 pin, blue, in connector station B pillar, left
- V97 - Double Cab Right Rear Door Central Locking System Motor
- V115 - Left Rear Central Locking System Motor

- (207) - Ground connection, in left rear door wiring harness
- (208) - Ground connection, in right rear door wiring harness

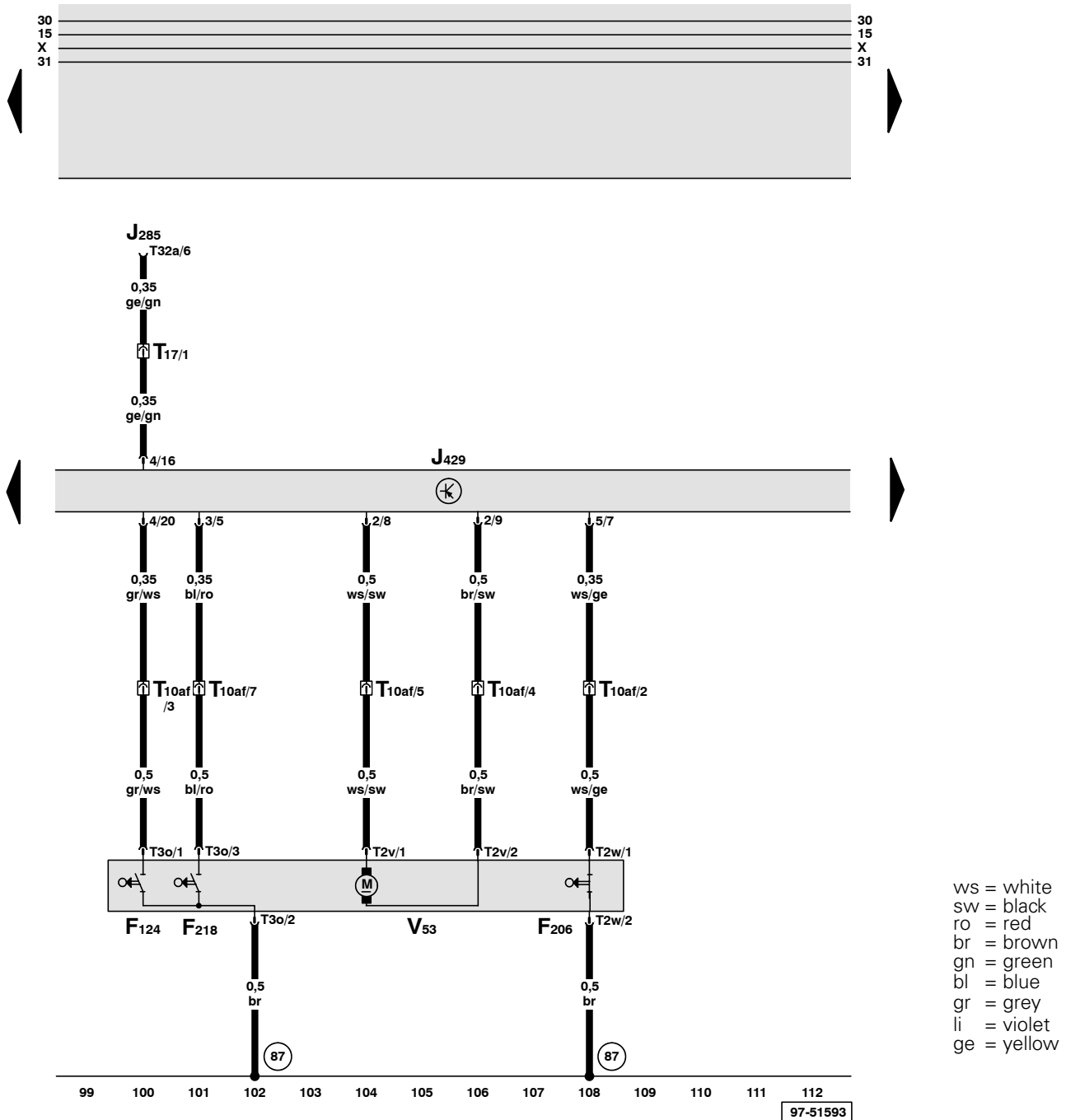


ws = white  
 sw = black  
 ro = red  
 br = brown  
 gn = green  
 bl = blue  
 gr = grey  
 li = violet  
 ge = yellow

- J245 - Power Sunroof Control Module
- J429 - Control module for central locking
- T6u - Connector 6 pin, grey, connector station A pillar, left
- T6ad - Connector 6 pin, blue, on power sunroof control module
- T10ag - Connector 10 pin, red, connector station A pillar, right
- T10ah - Connector 10 pin, red, in B pillar, left
- T10ai - Connector 10 pin, red, in B pillar, right
- T17 - Connector 17 pin, orange, connector station A pillar, right
- T17d - Connector 17 pin, grey, connector station A pillar, left
- T17p - Connector 17 pin, red, connector station A pillar, left
- V14 - Left Window Motor
- V15 - Right Window Motor
- V26 - Motor for Window regulator, rear, left
- V27 - Motor for Window regulator, rear, right

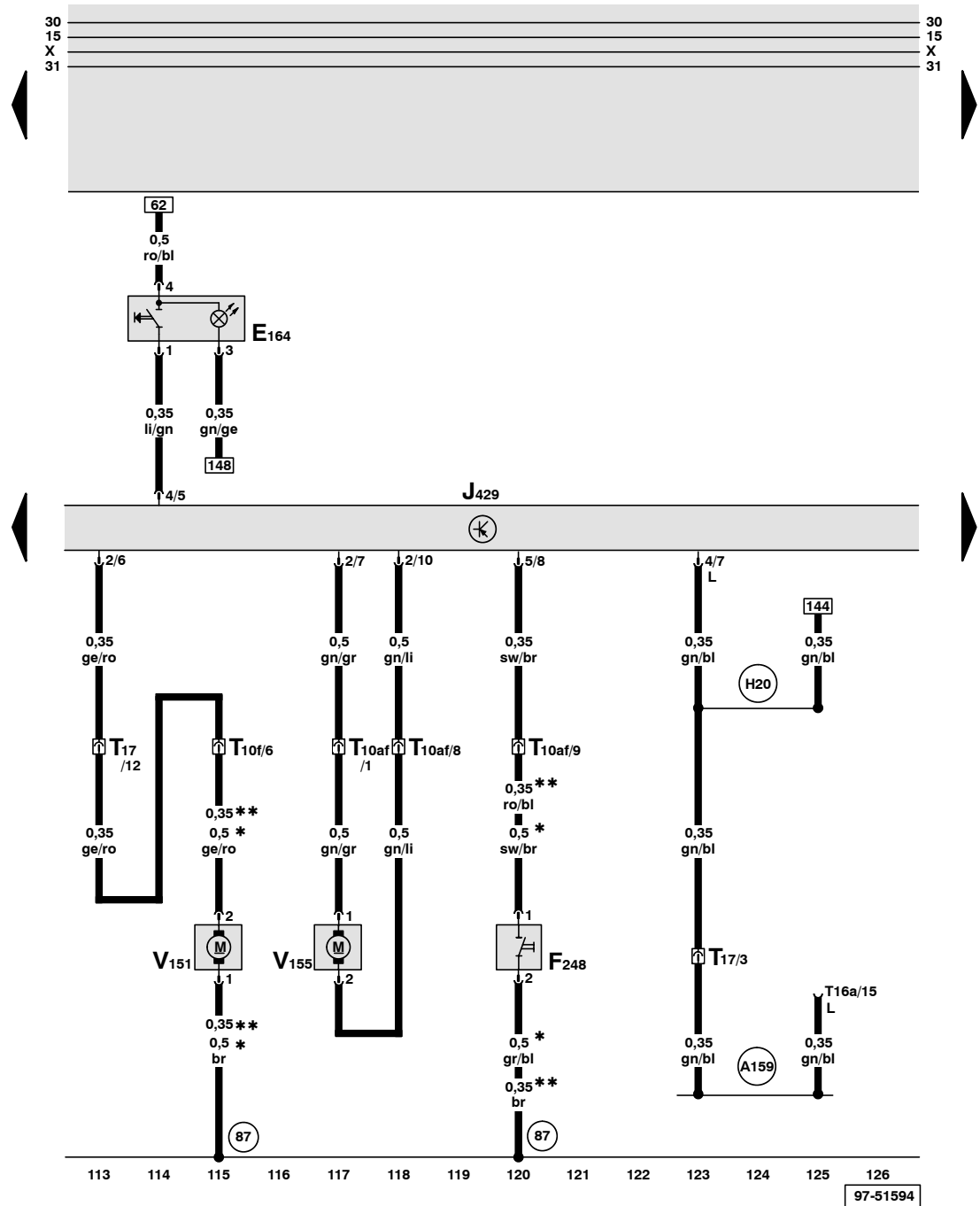
- ⊕(Q48) - Connection (open), in wiring harness interior
- ⊖(Q49) - Connection (closed), in wiring harness interior
- \* - Vehicles with Power Sunroof





- F124 - Trunk Lock Alarm/Central Locking Switch
- F206 - Trunk Lid Closed Position Switch
- F218 - Switch for central locking, trunk lid
- J285 - Control Module with indicator unit in instrument panel insert
- J429 - Control module for central locking
- T2v - Connector 2 pin, black, luggage compartment
- T2w - Connector 2 pin, grey, luggage compartment
- T30 - Connector 3 pin, black, in rear lid
- T10af - Connector 10 pin, violet, in 8-Fold Relay Panel behind the storage driver's side
- T17 - Connector 17 pin, orange, connector station A pillar, right
- T32a - Connector 32 pin, green, on instrument cluster
- V53 - Decklid Central Locking System Motor

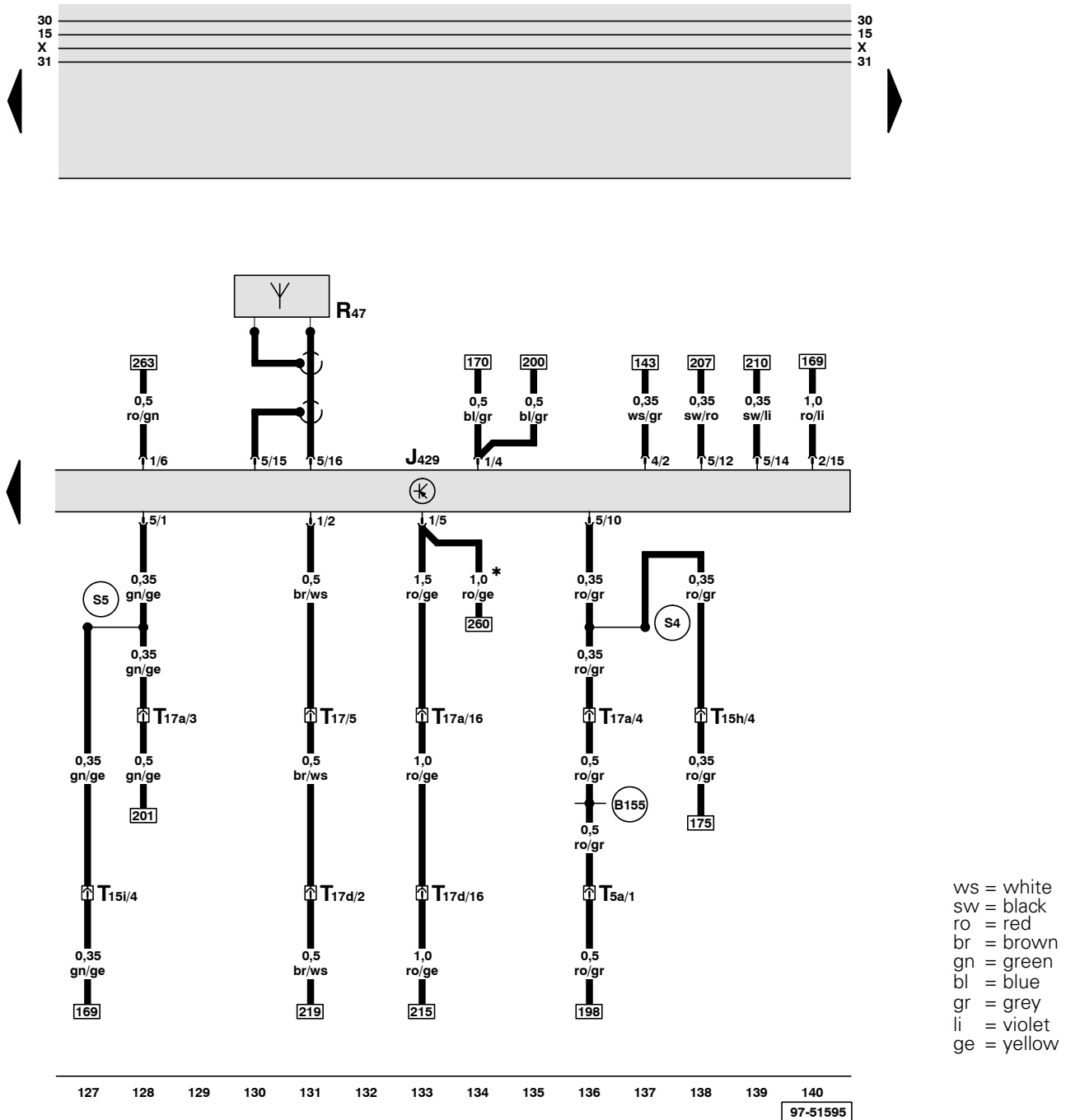
(87) - Ground connection -2-, in rear wiring harness



ws = white  
 sw = black  
 ro = red  
 br = brown  
 gn = green  
 bl = blue  
 gr = grey  
 li = violet  
 ge = yellow

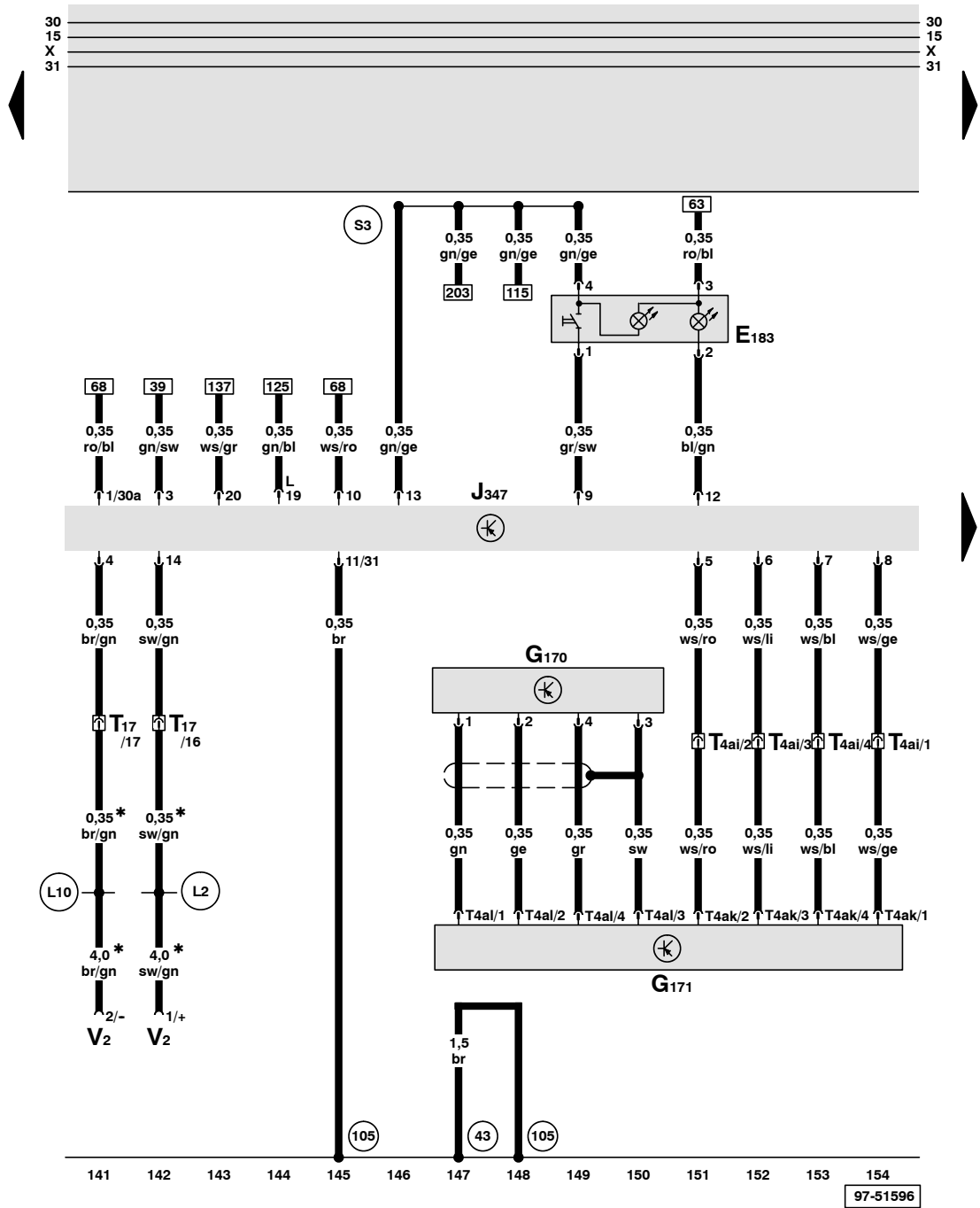
- E164 - Luggage Compartment Release Switch
- F248 - Switch for unlocking, rear lid lock cylinder
- J429 - Control module for central locking
- T10f - Connector 10 pin, brown, connector station A pillar, left
- T10af - Connector 10 pin, violet, in 8-Fold Relay Panel behind the storage driver's side
- T16a - Connector 16 pin, data link connector
- T17 - Connector 17 pin, orange, connector station A pillar, right
- V151 - Motor for remote unlock rear lid
- V155 - Motor for fuel tank lid unlock

- (87) - Ground connection -2-, in rear wiring harness
- (A159) - Connection (L) (in instrument panel wiring harness)
- (H20) - Wire connection -1-, in On-Board Diagnostic (OBD) wiring harness
- \* - Sedan
- \*\* - Wagon



- J429 - Control module for central locking
- R47 - Window antenna for central locking and anti-theft warning system
- T5a - Connector 5 pin, black, behind instrument panel, right
- T15h - Connector 15 pin, brown, connector station A pillar, right
- T15i - Connector 15 pin, brown, connector station A pillar, left
- T17 - Connector 17 pin, orange, connector station A pillar, right
- T17a - Connector 17 pin, brown, connector station A pillar, right
- T17d - Connector 17 pin, grey, connector station A pillar, left

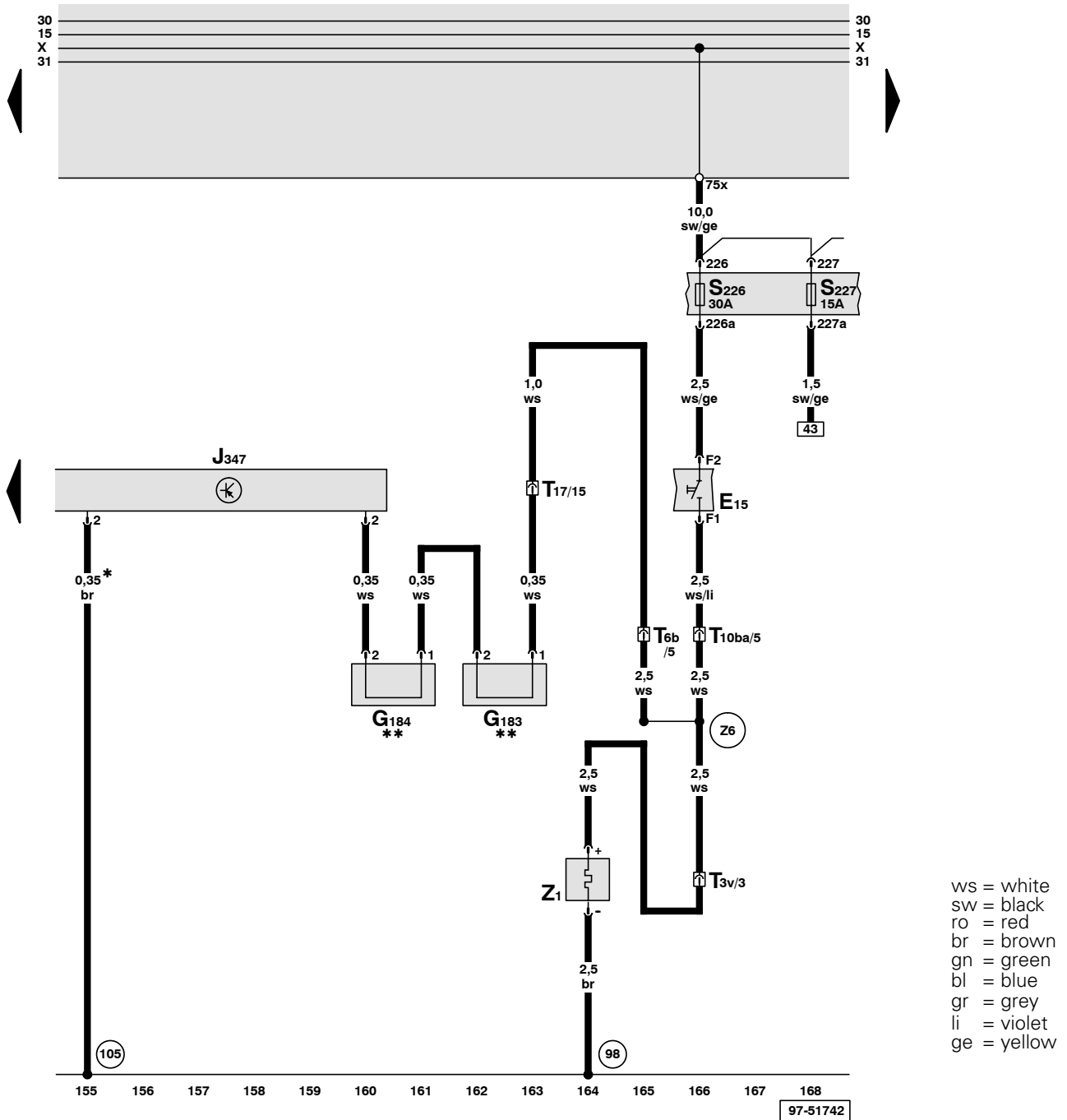
- (B155) - Connector -2- (TK), in wiring harness interior
- (S4) - Wire connection (TK right), central locking system wiring harness
- (S5) - Wire connection (TK left), central locking system wiring harness
- \* - Wagon only



ws = white  
 sw = black  
 ro = red  
 br = brown  
 gn = green  
 bl = blue  
 gr = grey  
 li = violet  
 ge = yellow

- E183 - Switch for passenger compartment monitoring
- G170 - Interior Monitoring sensor, left for anti-theft warning system
- G171 - Interior Monitoring sensor, right for anti-theft warning system
- J347 - Control Module for Ultra-Sound sensors
- T4ai - Connector 4 pin, on C pillar, right
- T4ak - Connector 4 pin, on interior monitoring sensor, right
- T4al - Connector 4 pin, on interior monitoring sensor, right
- T17 - Connector 17 pin, orange, connector station A pillar, right
- V2 - Fresh Air Blower

- 43 - Ground connection, on right A-pillar, lower part
- 105 - Ground connection -1-, in central locking system wiring harness
- L2 - Wire connection, in A/C wiring harness
- L10 - Wire connection -2-, in A/C wiring harness
- S3 - Wire connection -1- (switch/control module), central locking system wiring harness
- \* - Vehicles with Sunroof with Solar Cells



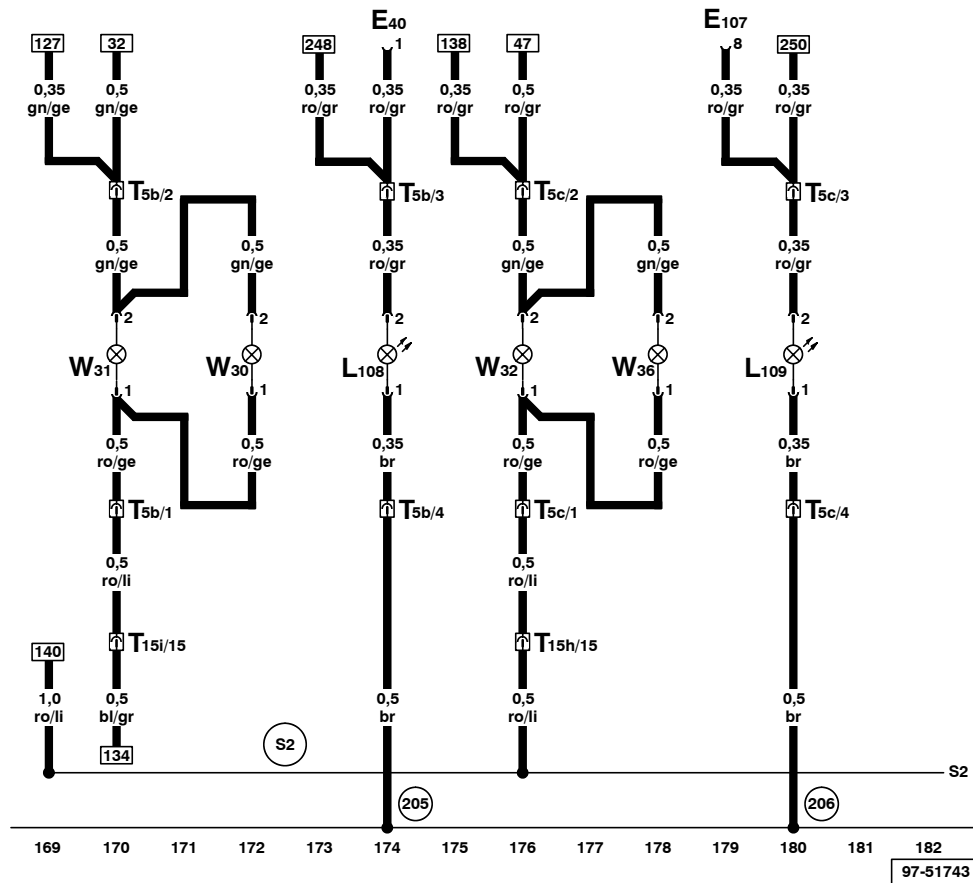
ws = white  
 sw = black  
 ro = red  
 br = brown  
 gn = green  
 bl = blue  
 gr = grey  
 li = violet  
 ge = yellow

- E15 - Rear Window Defogger Switch
- G183 - Sensor for broken window glass rear left
- G184 - Sensor for broken window glass rear right
- J347 - Control Module for Ultra-Sound sensors
- S226 - Fuse 26 in fuse holder
- S227 - Fuse 27 in fuse holder
- T3v - Connector 3 pin, black, in luggage compartment
- T6b - Connector 6 pin, white, connector station A pillar, left
- T10ba - Connector 10 pin, blue, connector station A pillar, left
- T17 - Connector 17 pin, orange, connector station A pillar, right
- Z1 - Heated rear window

- (98) - Ground connection, in rear lid wiring harness
- (105) - Ground connection -1-, in central locking system wiring harness
- (Z6) - Positive connection (X), in window heating wiring harness
- \* - Sedan
- \*\* - Wagon

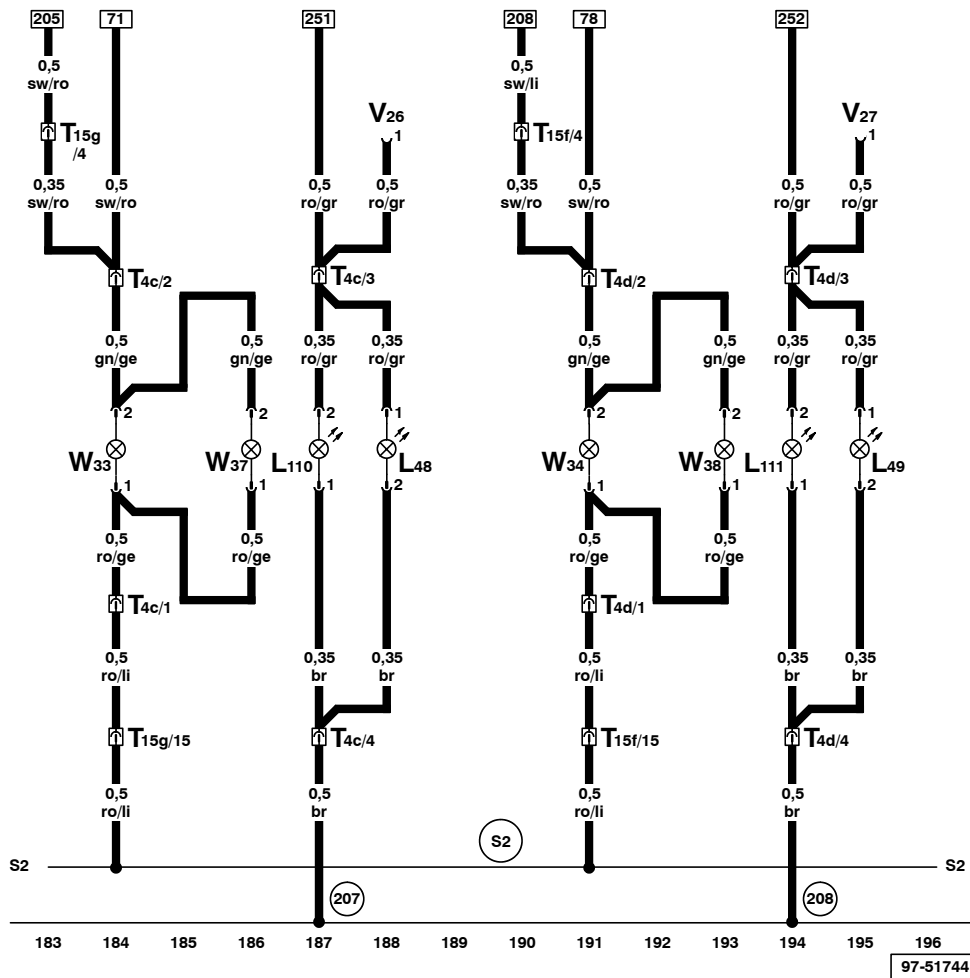
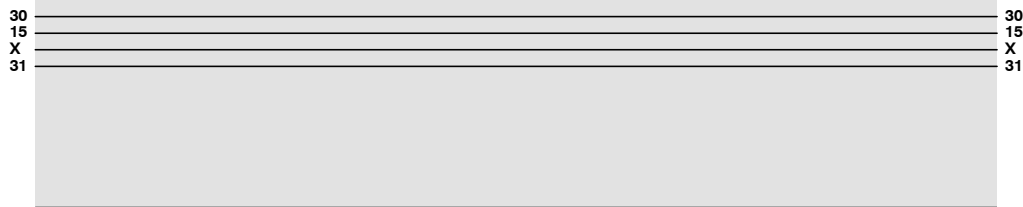


ws = white  
 sw = black  
 ro = red  
 br = brown  
 gn = green  
 bl = blue  
 gr = grey  
 li = violet  
 ge = yellow



- E40 - Left Front Window Switch
- E107 - Switch for window regulator, in passenger door
- L108 - Door opener lighting, driver side
- L109 - Door opener lighting, passenger side
- T5b - Connector 5 pin, black, in driver's door
- T5c - Connector 5 pin, black, in passenger's door
- T15h - Connector 15 pin, brown, connector station A pillar, right
- T15i - Connector 15 pin, brown, connector station A pillar, left
- W30 - Door Warning Light, driver side
- W31 - Entry light front, left
- W32 - Entry light front, right
- W36 - Door warning light, passenger side

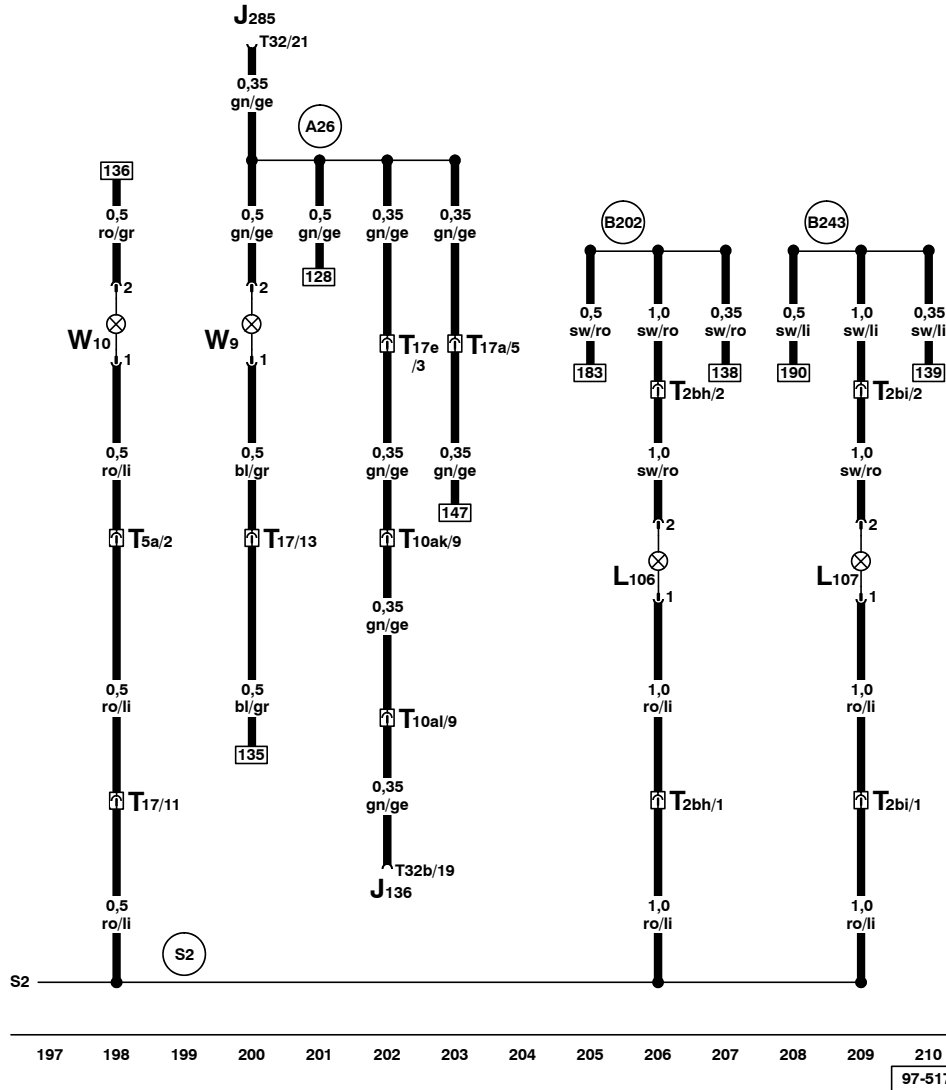
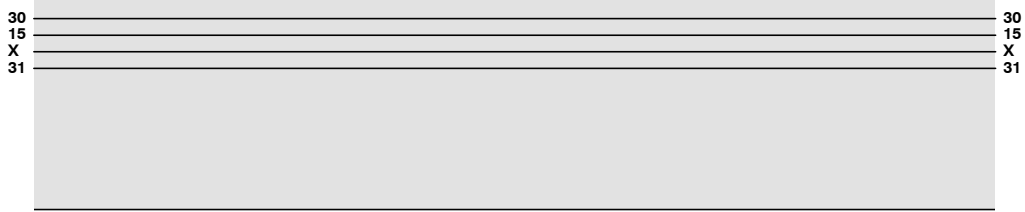
- (205) - Ground connection, in driver's door wiring harness
- (206) - Ground connection, in passenger's door wiring harness
- (S2) - Wire connection, in central locking system wiring harness



ws = white  
 sw = black  
 ro = red  
 br = brown  
 gn = green  
 bl = blue  
 gr = grey  
 li = violet  
 ge = yellow

- L48 - Left Rear Ashtray Light
- L49 - Right Rear Ashtray Light
- L110 - Door opener lighting, left rear
- L111 - Door opener lighting, right rear
- T4c - Connector 4 pin, black, in left rear door
- T4d - Connector 4 pin, black, in right rear door
- T15f - Connector 15 pin, blue, in connector station B pillar, right
- T15g - Connector 15 pin, blue, in connector station B pillar, left
- V26 - Motor for Window regulator, rear, left
- V27 - Motor for Window regulator, rear, right
- W33 - Entry light rear, left
- W34 - Entry light rear, right
- W37 - Door warning light rear, left
- W38 - Door warning light rear, right

- (207) - Ground connection, in left rear door wiring harness
- (208) - Ground connection, in right rear door wiring harness
- (S2) - Wire connection, in central locking system wiring harness

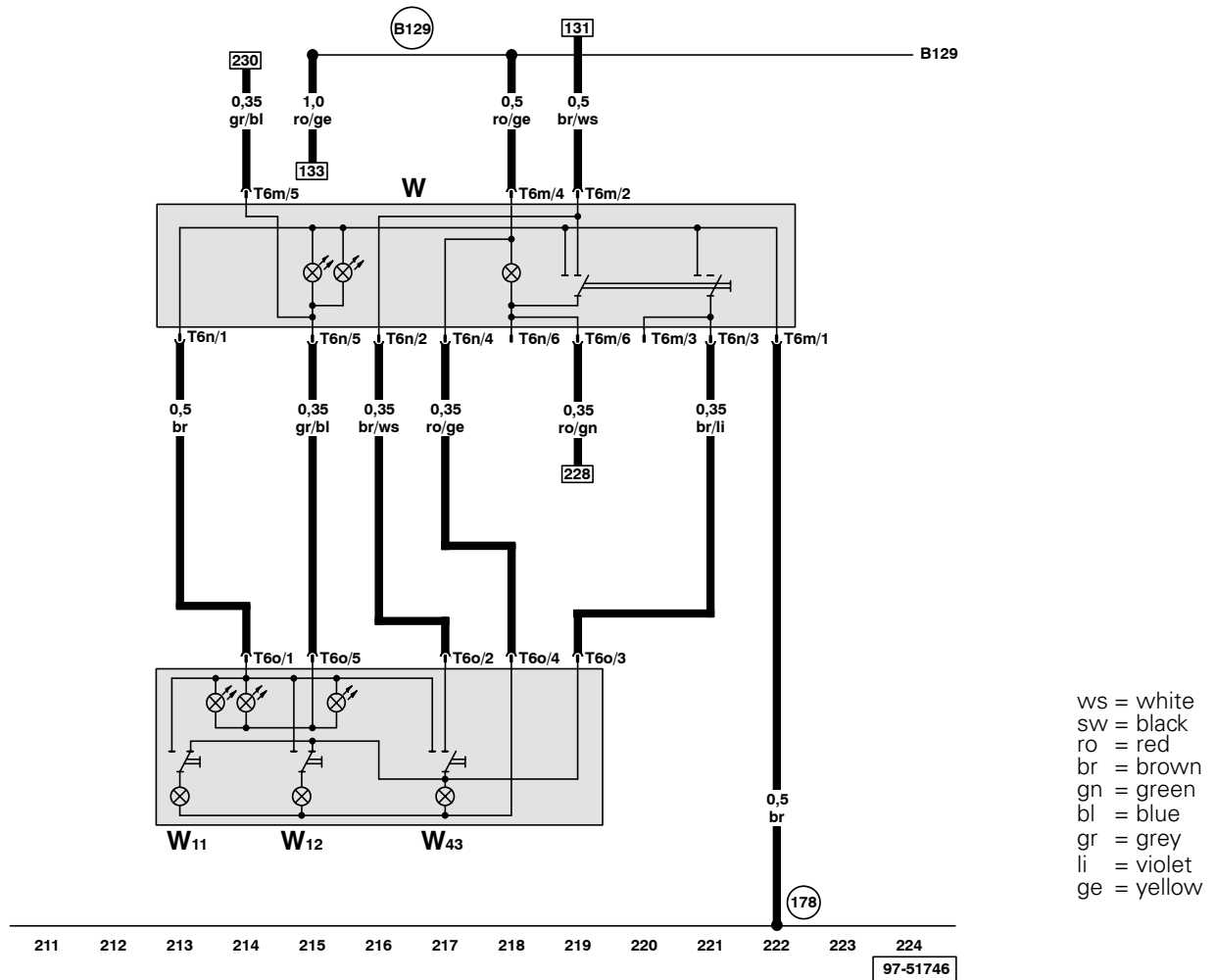


ws = white  
 sw = black  
 ro = red  
 br = brown  
 gn = green  
 bl = blue  
 gr = grey  
 li = violet  
 ge = yellow

- J136 - Memory Seat Control Module
- J285 - Control Module with indicator unit in instrument panel insert
- L106 - Footwell lighting, left rear
- L107 - Footwell lighting, right rear
- T2bh - Connector 2 pin, black, below driver's seat
- T2bi - Connector 2 pin, black, below passenger's seat
- T5a - Connector 5 pin, black, behind instrument panel, right
- T10ak - Connector 10 pin, green, connector station A pillar, left
- T10al - Connector 10 pin, brown, below driver's seat
- T17 - Connector 17 pin, orange, connector station A pillar, right
- T17a - Connector 17 pin, brown, connector station A pillar, right
- T17e - Connector 17 pin, black, connector station A pillar, left
- T32 - Connector 32 pin, blue, on instrument cluster
- T32b - Connector 32 pin, blue, in driver's seat
- W9 - Left Footwell Light
- W10 - Right Footwell Light

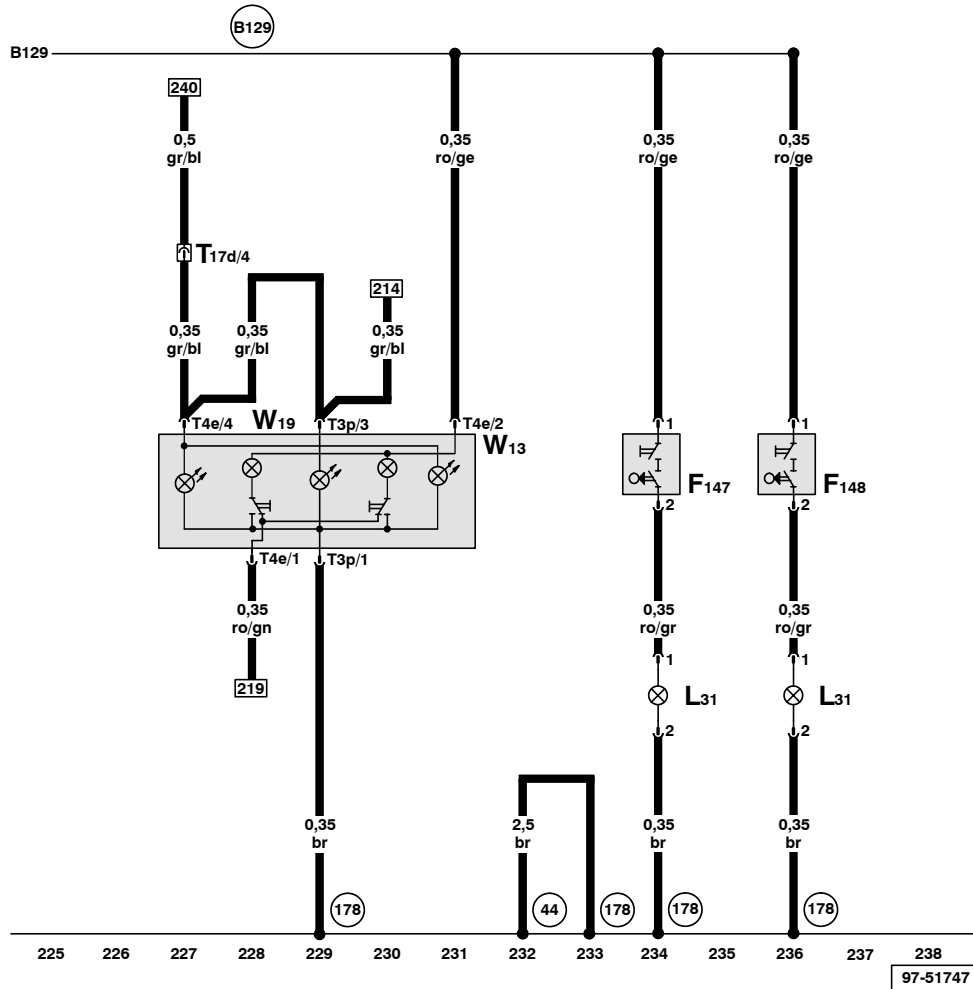
- (A26) - Wire connection (driver's door contact switch), in instrument panel wiring harness
- (B202) - Connection 3 (TK), in passenger compartment wiring harness
- (B243) - Connection 4 (TK) (in passenger compartment wiring harness)
- (S2) - Wire connection, in central locking system wiring harness





- T6m - Connector 6 pin, on interior light, front
- T6n - Connector 6 pin, on interior light, front
- T6o - Connector 6 pin, on interior light, rear
- W - Front Interior Light
- W11 - Left Rear Reading Light
- W12 - Right Rear Reading Light
- W43 - Rear courtesy lamp

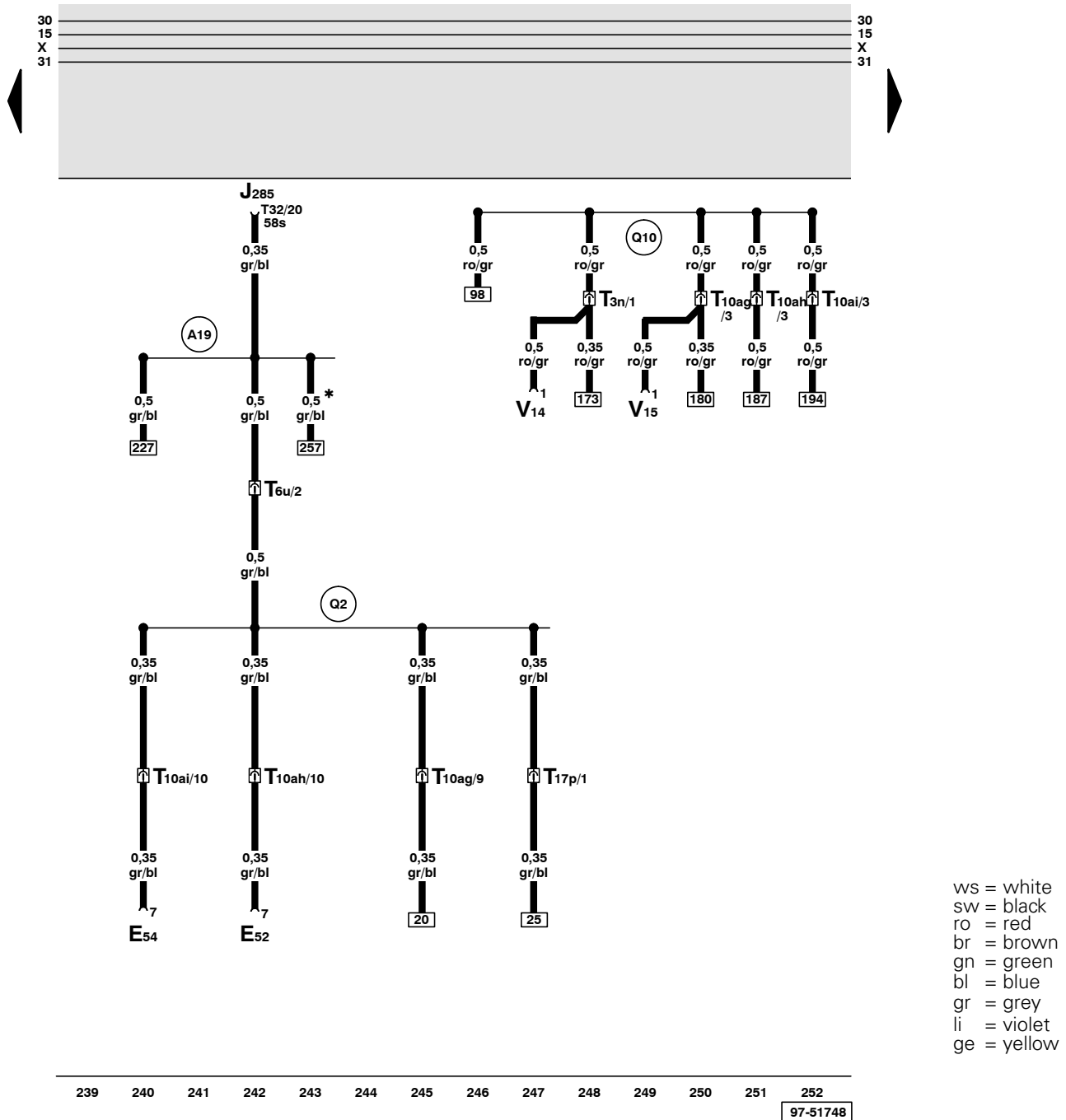
- (178) - Ground connection, in sunroof wiring harness
- (B129) - Connector (interior light 31L), in wiring harness interior



ws = white  
 sw = black  
 ro = red  
 br = brown  
 gn = green  
 bl = blue  
 gr = grey  
 li = violet  
 ge = yellow

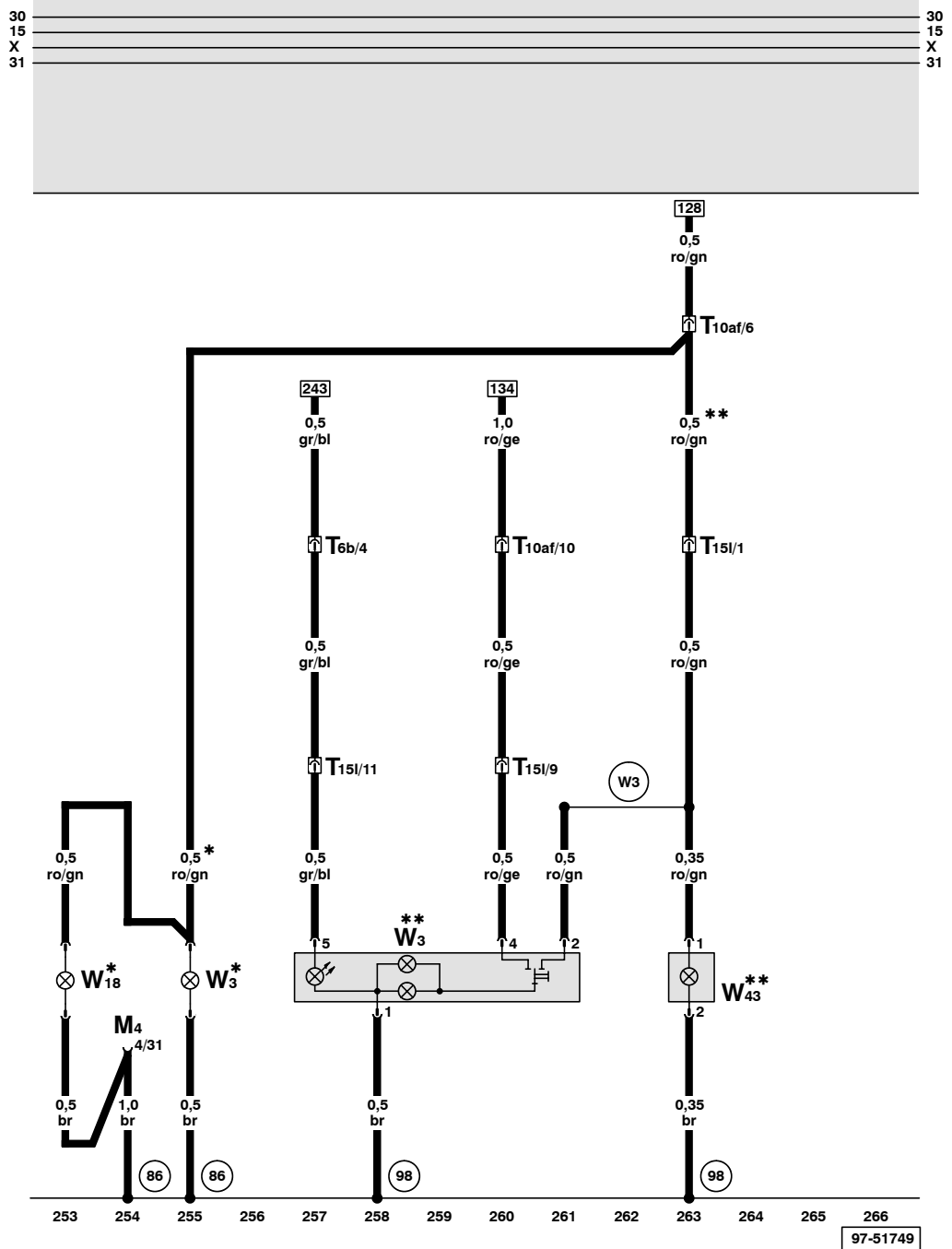
- F147 - Left Make-Up Mirror Light Switch
- F148 - Right Make-Up Mirror Light Switch
- L31 - Make-up Mirror Light
- T3p - Connector 3 pin, on reading lamp front right
- T4e - Connector 4 pin, on reading lamp front left
- T17d - Connector 17 pin, grey, connector station A pillar, left
- W13 - Passenger's Map/Reading Light
- W19 - Left Front Reading Light

- (44) - Ground connection, on left A-pillar, lower part
- (178) - Ground connection, in sunroof wiring harness
- (B129) - Connector (interior light 31L), in wiring harness interior



- E52 - Left Rear Window Switch, (In LR Door)
- E54 - Right Rear Window Switch, (In RR Door)
- J285 - Control Module with indicator unit in instrument panel insert
- T3n - Connector 3 pin, red, connector station A pillar, left
- T6u - Connector 6 pin, grey, connector station A pillar, left
- T10ag - Connector 10 pin, red, connector station A pillar, right
- T10ah - Connector 10 pin, red, in B pillar, left
- T10ai - Connector 10 pin, red, in B pillar, right
- T17p - Connector 17 pin, red, connector station A pillar, left
- T32 - Connector 32 pin, blue, on instrument cluster
- V14 - Left Window Motor
- V15 - Right Window Motor

- (A19) - Wire connection (58s), in instrument panel wiring harness
- (Q2) - Plus connection (58s), in power window wiring harness
- (Q10) - Plus connection (87), in power window/central locking system and door contact switch wiring harness
- \* - Wagon only



ws = white  
 sw = black  
 ro = red  
 br = brown  
 gn = green  
 bl = blue  
 gr = grey  
 li = violet  
 ge = yellow

- M4 - Left Tail Light
- T6b - Connector 6 pin, white, connector station A pillar, left
- T10af - Connector 10 pin, violet, in 8-Fold Relay Panel behind the storage driver's side
- T15l - Connector 15 pin, black, in luggage compartment
- W3 - Luggage Compartment Light
- W18 - Left Luggage Compartment Light
- W43 - Rear courtesy lamp

- (86) - Ground connection -1-, in rear wiring harness
- (98) - Ground connection, in rear lid wiring harness
- (W3) - Wire connection, in rear wiring harness

- \* - Sedan
- \*\* - Wagon