

# Functional diagram

## Components:




F	Brake light switch
F36	Clutch pedal switch
F47	Brake pedal switch
F96	Altitude sender (integrated in engine control unit)
G2	Coolant temperature sender
G6	Fuel pump
G28	Engine speed sender
G31	Charge pressure sender
G39	Lambda probe (cylinder bank 1)
G40	Hall sender (cylinder bank 2)
G42	Intake air temperature sender
G 61	Knock sensor (cylinder bank 1)
G62	Coolant temperature sender
G66	Knock sensor (cylinder bank 2)
G70	Air mass meter
G79	Accelerator position sender 1
G108	Lambda probe (cylinder bank 2)
G163	Hall sender (cylinder bank 1)
G185	Accelerator position sender 2
G186	Throttle valve drive (electric throttle control)
G187	Angle sender 1 for throttle valve drive
G188	Angle sender 2 for throttle valve drive
G235	Sender 1 for exhaust gas temperature
G236	Sender 2 for exhaust gas temperature
J17	Fuel pump relay
J220	Motronic control unit
J338	throttle valve control part
K132	Warning lamp for electric throttle control
N	Ignition coil, cylinder 1
N30	Injector, cylinder 1
N31	Injector, cylinder 2
N32	Injector, cylinder 3
N33	Injector, cylinder 4
N75	Solenoid valve for charge pressure control
N80	Solenoid valve for activated charcoal canister
N83	Injector, cylinder 5
N84	Injector, cylinder 6
N122	Output stage (cylinder bank 1)
N128	Ignition coil, cylinder 2
N158	Ignition coil, cylinder 3
N163	Ignition coil, cylinder 4
N164	Ignition coil, cylinder 5

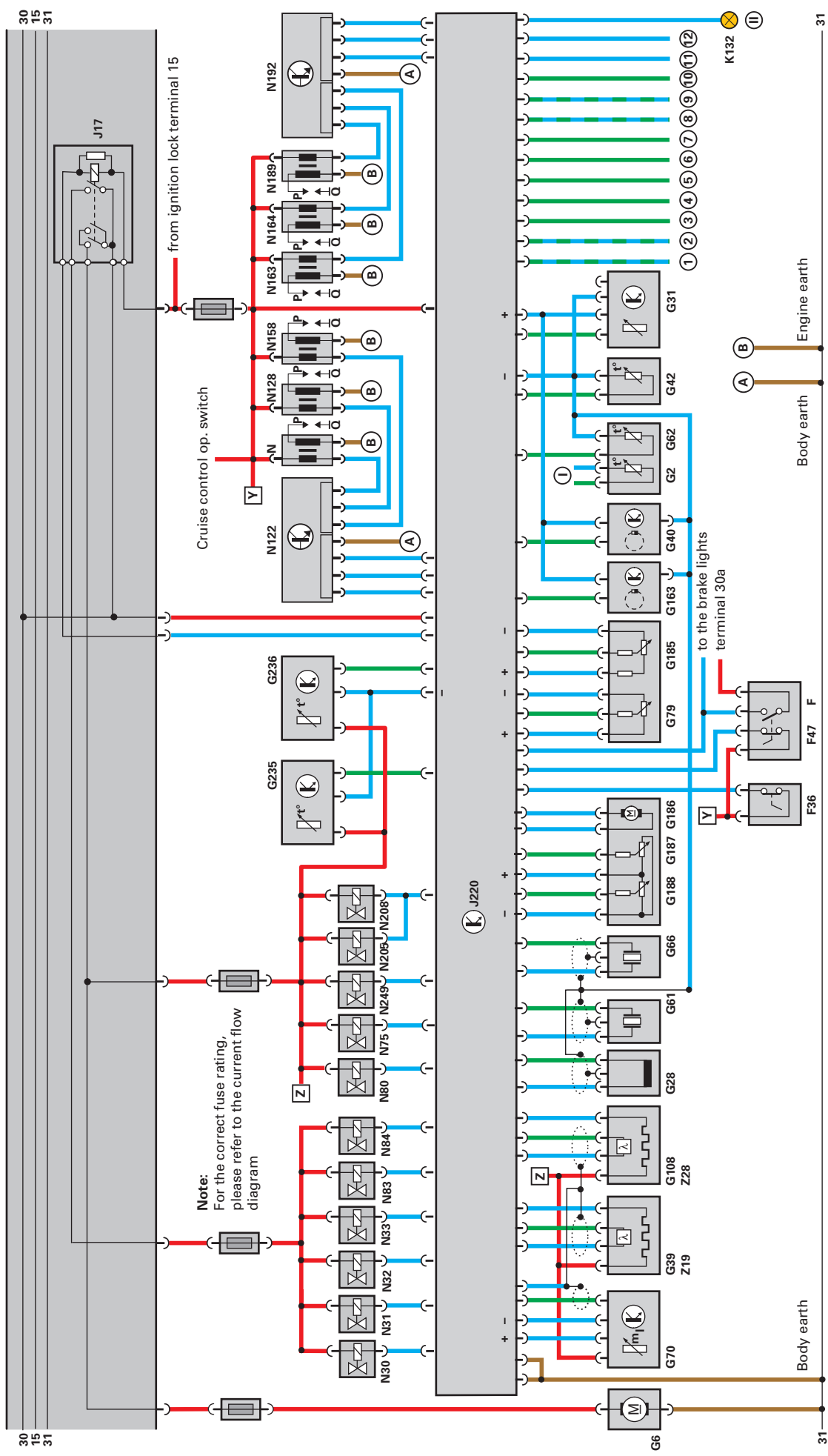
N189	Ignition coil, cylinder 6
N192	Output stage (cylinder bank 2)
N205	Camshaft adjustment valve 1 (cylinder bank 1)
N208	Camshaft adjustment valve 2 (cylinder bank 2)
N249	Divert air valve for turbocharger
Z19	Heater for lambda probe
Z28	Heater for lambda probe 2
I	To dash panel insert
II	To dash panel insert (warning lamp)

## Additional signals

1	CAN-high (automatic gearbox)
2	CAN-low (automatic gearbox)
3	„Set/decelerate“ signal for cruise control system
4	“Off“ signal without cancellation for cruise control system
5	“On/Off“ signal with cancellation for cruise control system
6	Resume/accelerate“ signal for cruise control system
7	Road speed signal
8	Immobiliser/diagnosis signal
9	Air conditioner compressor “On/Off“ signal
10	Coolant temperature signal
11	Engine speed signal
12	Fuel consumption signal

## Colour codes:

	Input signal
	Output signal
	Positive
	Earth
	Bidirectional



SSP 198/18