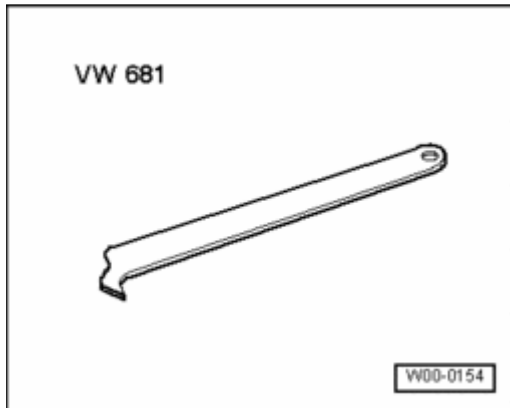


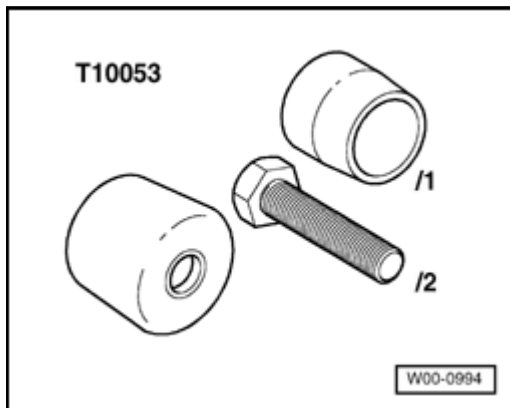
Audi > C5 > 1998-2005
Engine Mechanical
15 - Valve train, servicing

Camshaft oil seals, replacing

Special tools, testers and auxiliary items required



* extractor lever VW681



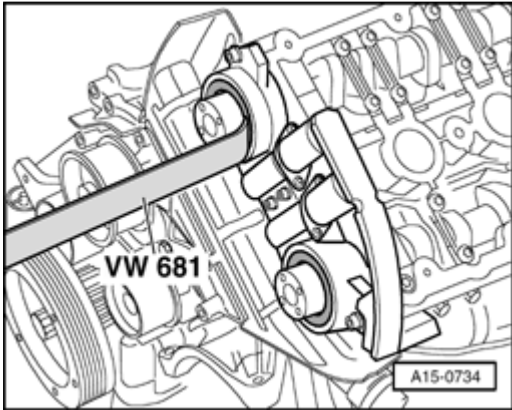
* assembly tool T10053

Removing

- Remove toothed belt ⇒ [Toothed belt, removing and installing](#) .
- Mark installed position of camshaft gears for re-installation.
- Remove camshaft gears.

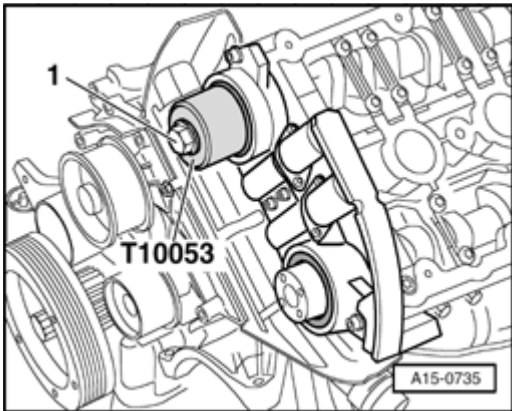
Note:

- * *In case of leaks of one shaft seal, replace sealing rings at both cylinder heads.*
- * *Be careful not to damage seating surface when pressing out sealing rings.*



- Install camshaft sealing rings using extractor lever VW681 .
- Clean seating surfaces.

Installing



- Press in sealing ring for camshaft gear flush to housing using assembly tool T10053 and bolt - 1 - .
- Install toothed belt (adjust timing) .