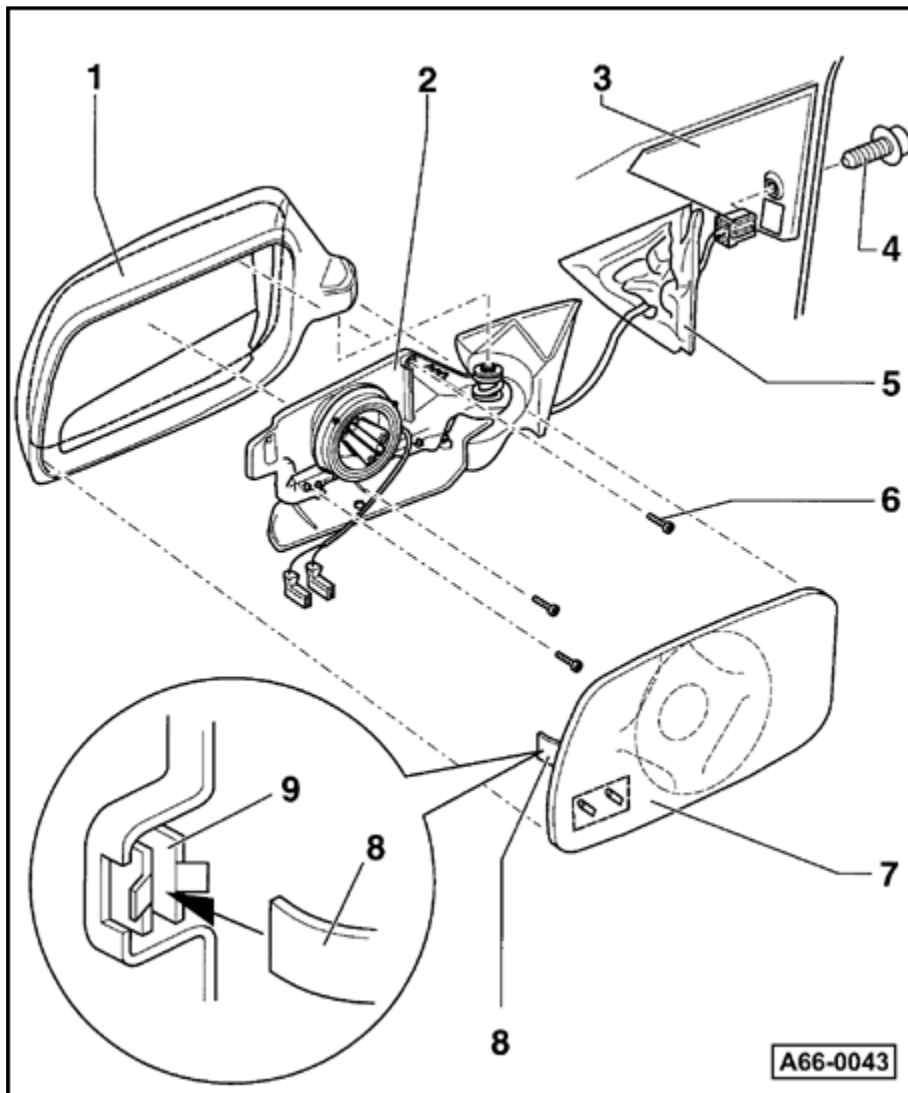


Audi > C5 Platform > 1998 - 2005
Body Exterior
66 - Exterior equipment

Exterior rear-view mirror, removing and installing



1 - Mirror housing

- * Can be removed from door without disassembling complete rear-view mirror => page [66-21](#)

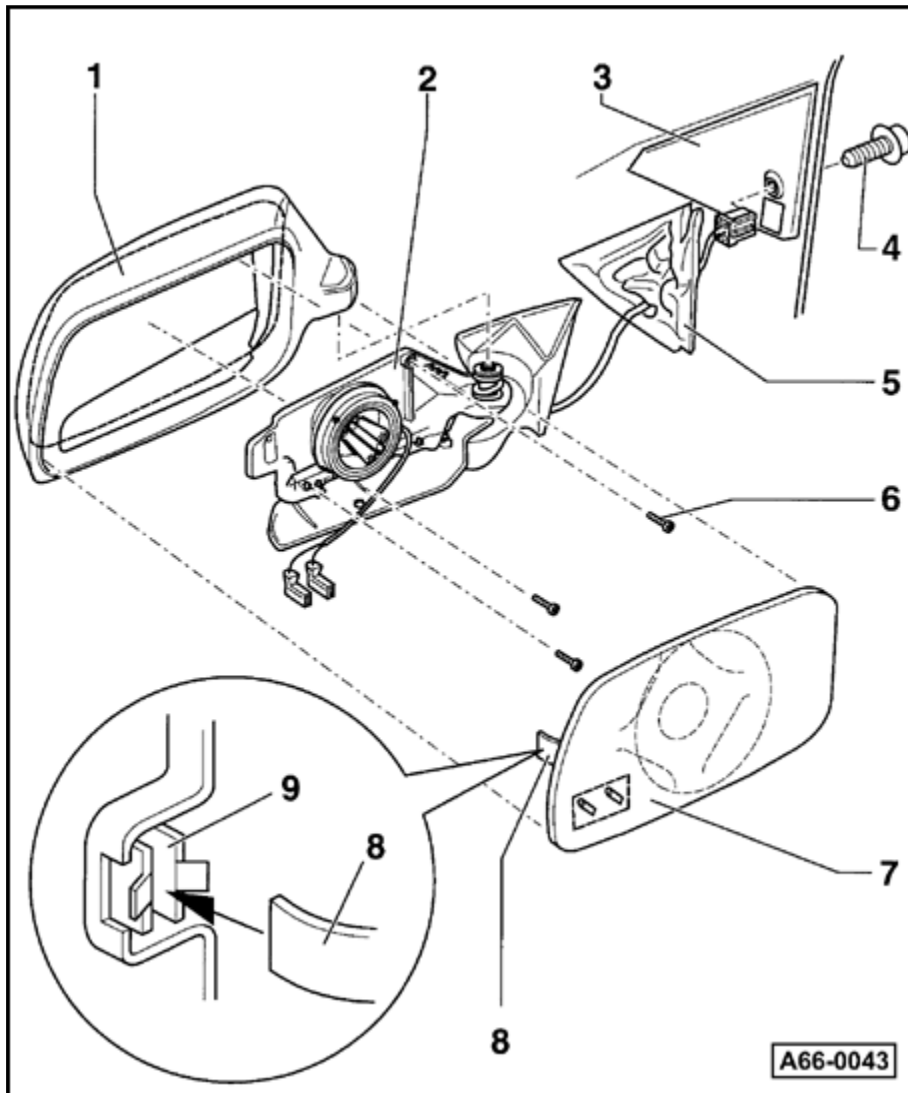
2 - Mirror adjustment unit

- * Before removing, disassemble rear-view mirror from door
- To remove, pry off mirror glass, disconnect harness connectors for mirror heater, unscrew Phillips-head screws -[6](#)- and remove mirror adjustment unit from mirror

housing -1-.

Note:

On vehicles with seat memory, door trim panel has to be removed before disassembling the mirror adjustment unit.



3 - Door component carrier

4 - Socket-head screw

* 12 Nm (9 ft lb)

5 - Seal

* When installing, make sure seal is installed correctly

6 - Phillips-head screw

- ♦ 1 Nm (9 in. lb)

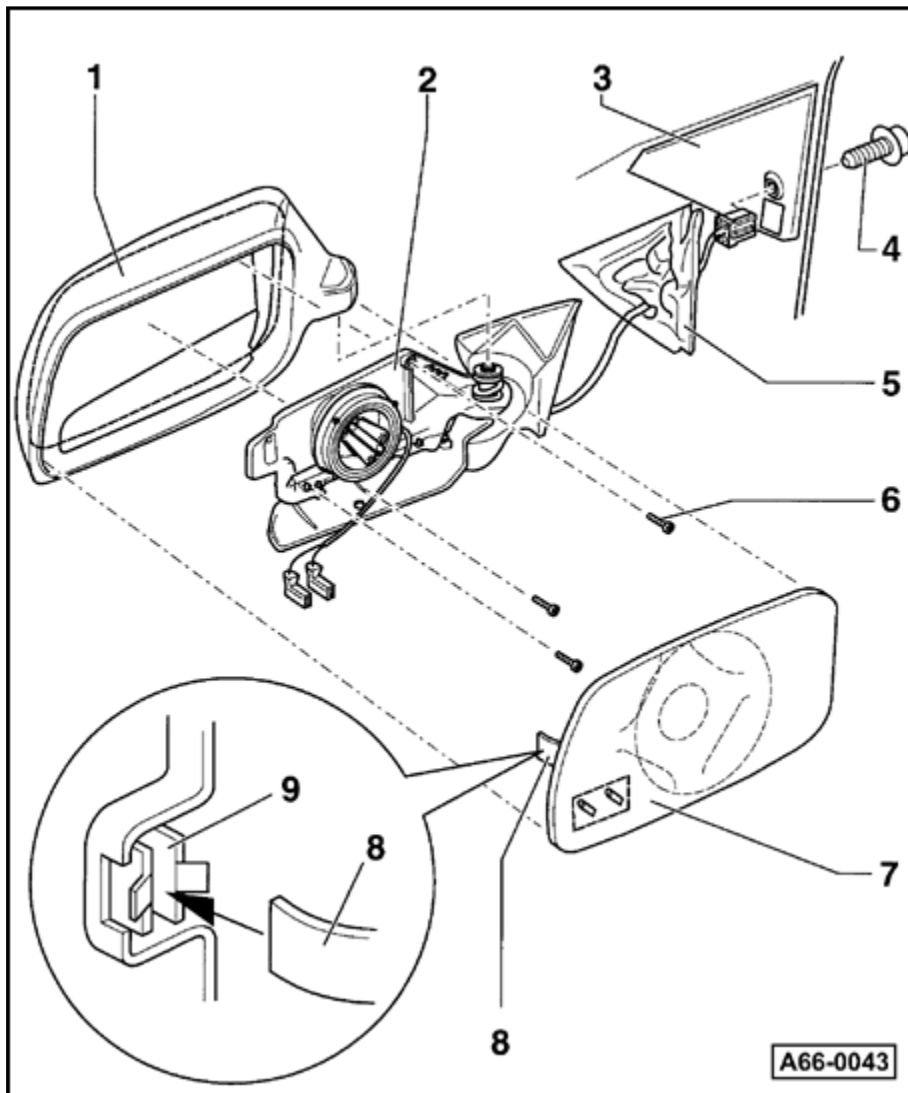
7 - Mirror glass

- ♦ Use 80-200 lever to unclip mirror glass
- ♦ Protect mirror housing from damage by applying fabric reinforced adhesive tape at top and bottom of housing

– Press off mirror glass, first at bottom then at top.

Installing:

- Insert mirror glass into guide stud and friction finger into friction spring and press on.
- Press only on center of mirror (always use protective gloves).



8 - Friction finger

- When installing mirror glass, friction finger **-8-** must be inserted into friction spring **-9-** in housing

9 - Friction spring