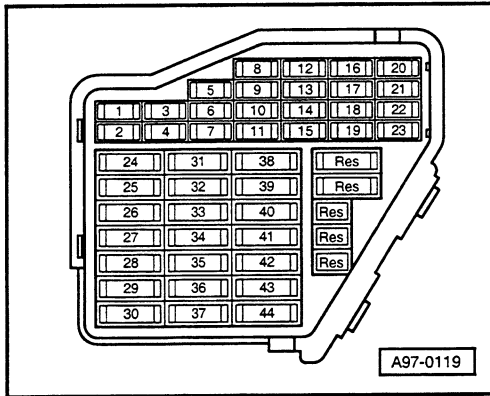


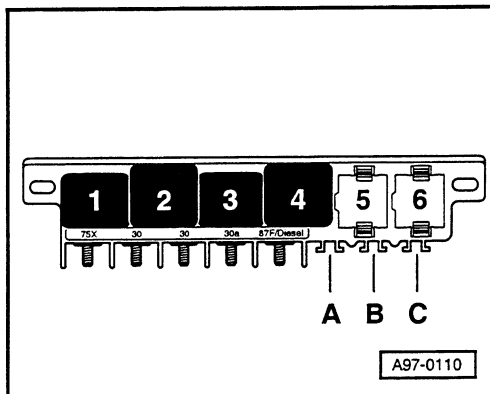
**(2,8 I - Injection Engine, 6-Cylinder), Code AHA**

1999 m. y.

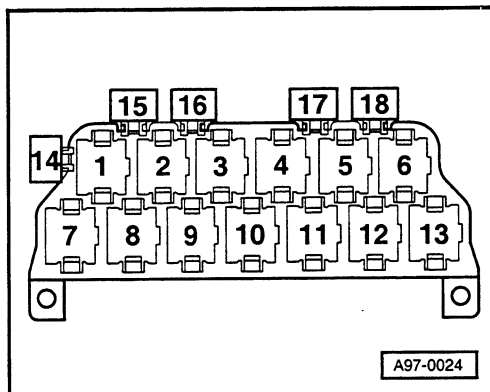
**Fuse Panel****Fuse Colors:**

- 30 A - Green
- 25 A - White
- 20 A - Yellow
- 15 A - Blue
- 10 A - Red
- 7,5 A - Brown
- 5 A - Beige

Starting with fuse position 23, fuses in the fuse holder are identified with 223 in the wiring diagram.

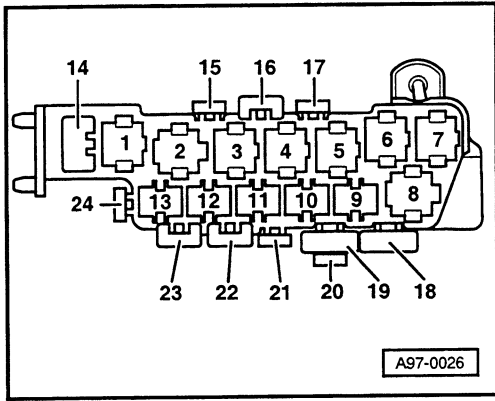
**Micro Central Electric Panel****Relay Location:**

- 1** - Dual Horn Relay, J4
- 2** - Load Reduction Relay, J59
- 4** - Fuel Pump (FP) Relay, J17
- 5** - Wiper/Washer Intermittent Relay, J31
- 6** - Wiper/Washer Intermittent Relay, J31

**13 - Fold Relay Panel****Relay Location:**

- 4** - Starting Interlock Relay, J207
- 6** - Fog Light Relay, J5
- 17** - Fuse for secondary air pump, S130 upto october 1998

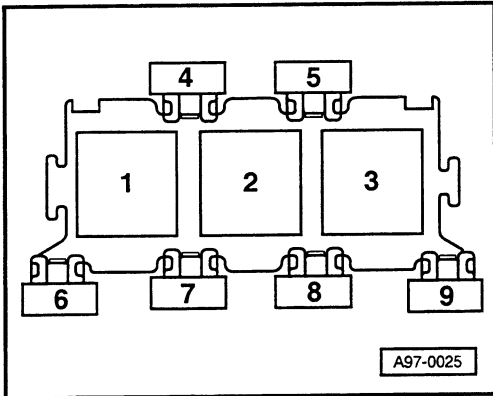
8 - Fold Relay Panel



Relay Location:

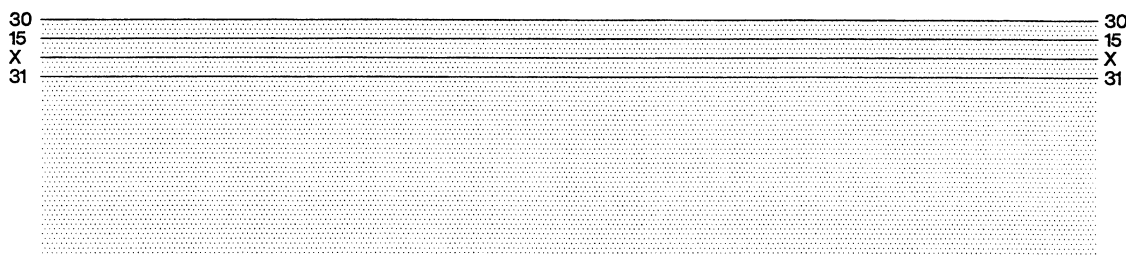
- 15** - Fuse for Luggage Compartment Socket, S184
- 20** - Coolant Fan Fuse, S42
- 21** - Control module fuse for coolant fan, S142

3 - Fold Relay Panel in E-Box plenum chamber

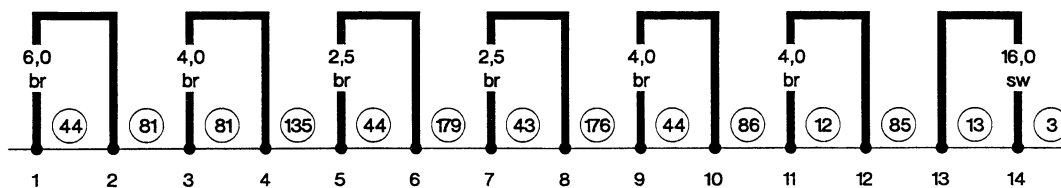


Relay Location:

- 2** - Secondary Air Injection (AIR) Pump Relay, J299
- 7** - Fuse for secondary air pump, S130 from november 1998



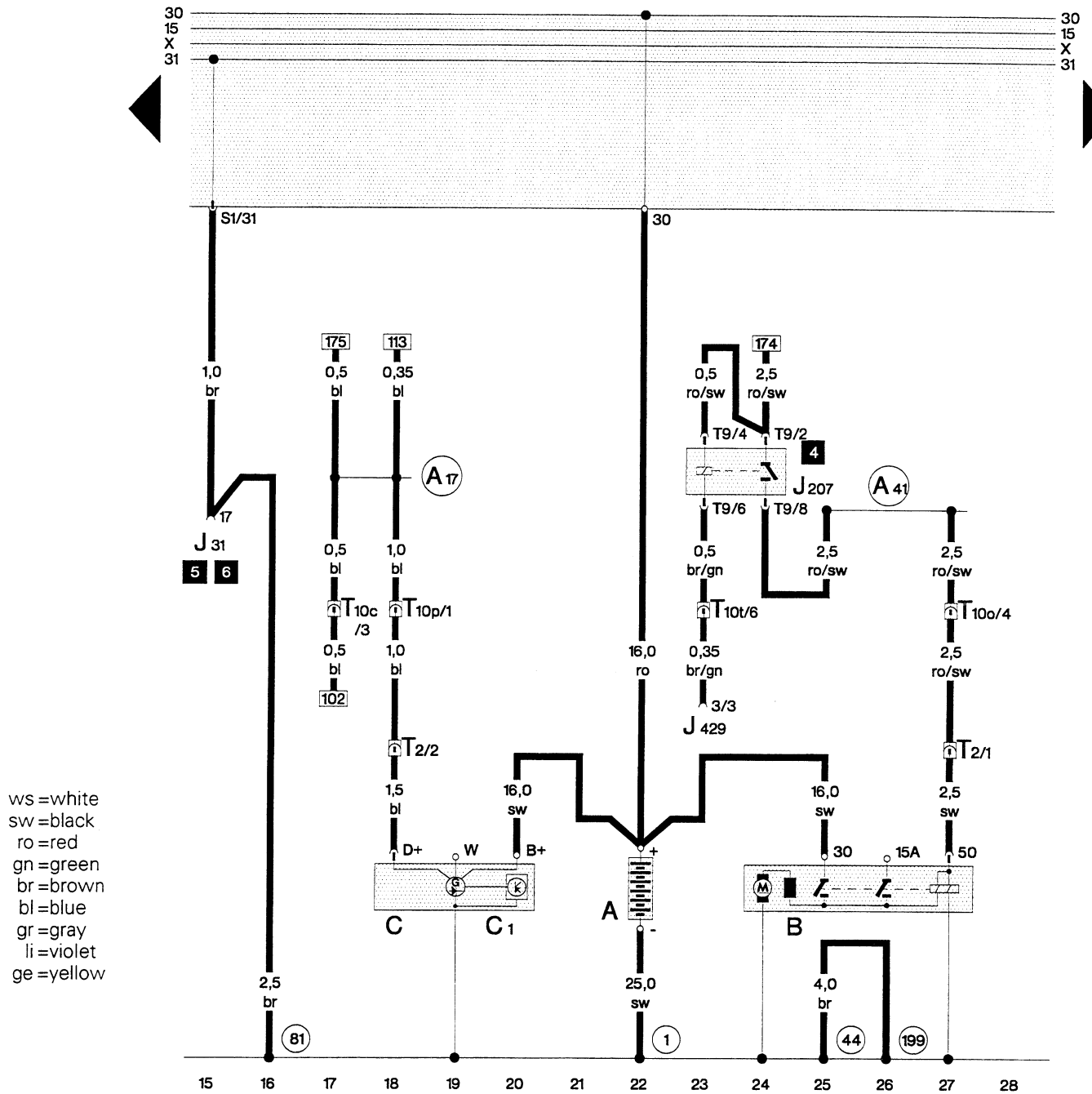
ws =white  
 sw =black  
 ro =red  
 gn =green  
 br =brown  
 bl =blue  
 gr =gray  
 li =violet  
 ge =yellow



97-19183

- (3) -Ground strap, engine to body
- (12) -Ground connection, in engine compartment, left
- (13) -Ground connection, in engine compartment, right

- (43) -Ground connection, on right A-pillar, lower part
- (44) -Ground connection, on left A-pillar, lower part
- (81) -Ground connection -1-, in instrument panel wiring harness
- (85) -Ground connection -1-, in engine compartment wiring harness
- (86) -Ground connection -1-, in rear wiring harness
- (135) -Ground connection -2-, in instrument panel wiring harness
- (176) -Ground connection, in right headlight wiring harness
- (179) -Ground connection, in left headlight wiring harness

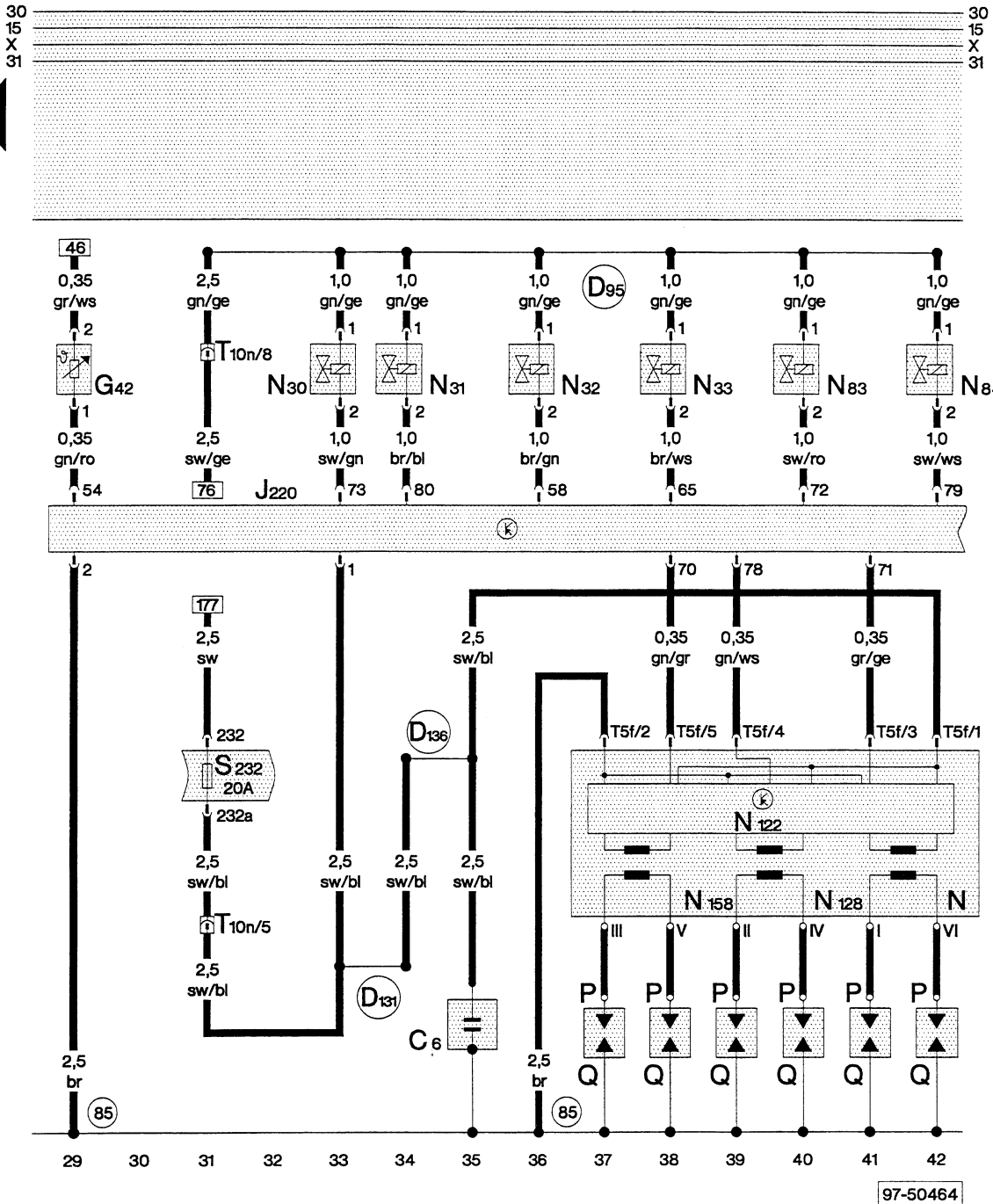


ws =white  
 sw =black  
 ro =red  
 gn =green  
 br =brown  
 bl =blue  
 gr =gray  
 li =violet  
 ge =yellow

97-50463

- A - Battery
- B - Starter
- C - Generator (GEN)
- C 1 - Voltage Regulator (VR)
- J 31 - Wiper/Washer Intermittent Relay
- J 207 - Starting Interlock Relay
- J 429 - Control module for central locking
- T 2 - Connector 2 pin, grey, in engine compartment, right
- T 10 c - Connector 10 pin, grey, connector station A pillar, left
- T 10 o - Connector 10 pin, brown, connector station electronic box plenum chamber
- T 10 p - Connector 10 pin, black, connector station electronic box plenum chamber
- T 10 t - Connector 10 pin, orange, connector station A pillar, right

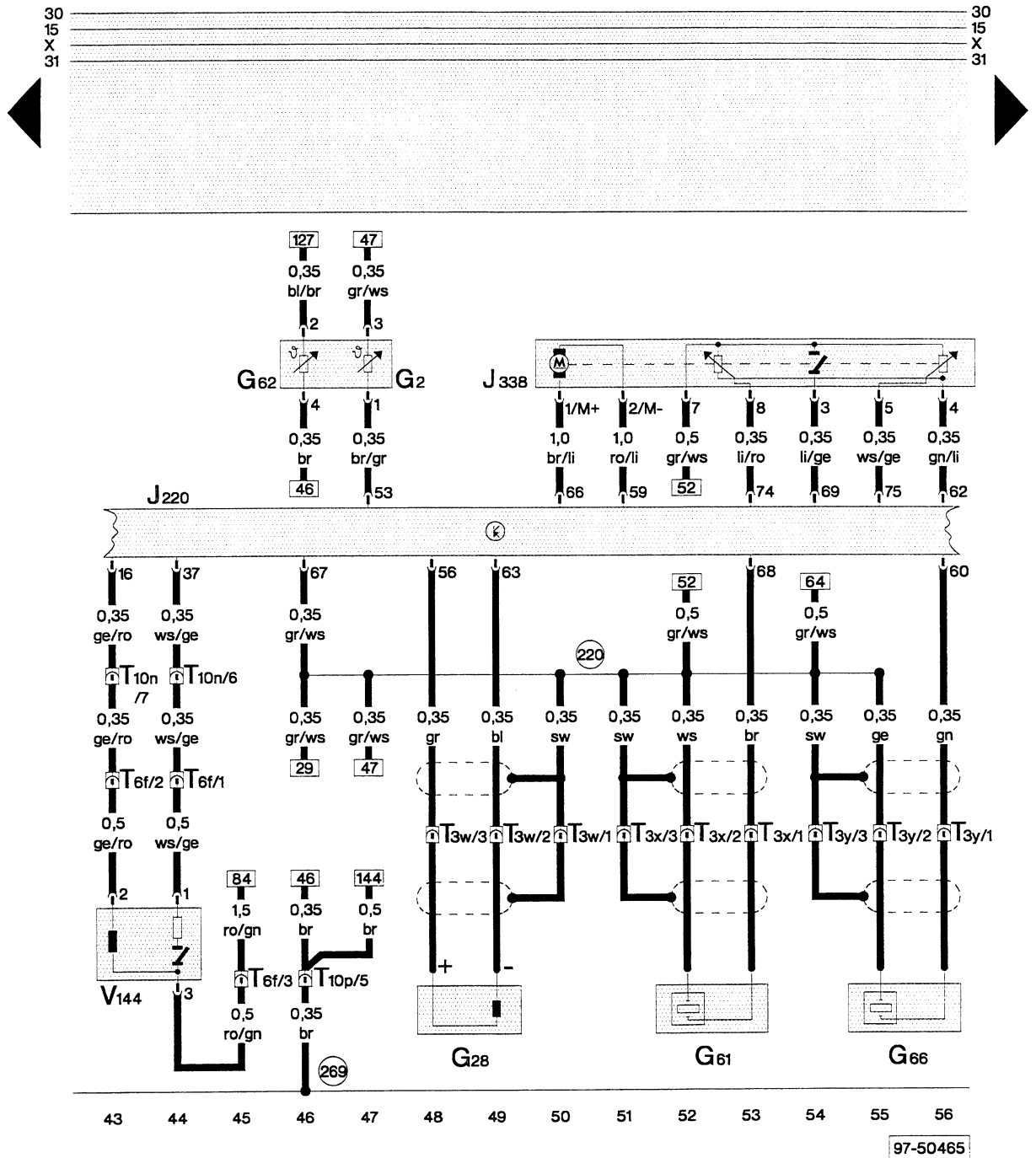
- (1) - Ground strap, battery to body
- (44) - Ground connection, on left A-pillar, lower part
- (81) - Ground connection -1-, in instrument panel wiring harness
- (199) - Ground connection -3-, in instrument panel wiring harness
- (A17) - Wire connection (61), in instrument panel wiring harness
- (A41) - Plus connection (50), in instrument panel wiring harness



ws = white  
 sw = black  
 ro = red  
 gn = green  
 br = brown  
 bl = blue  
 gr = gray  
 li = violet  
 ge = yellow

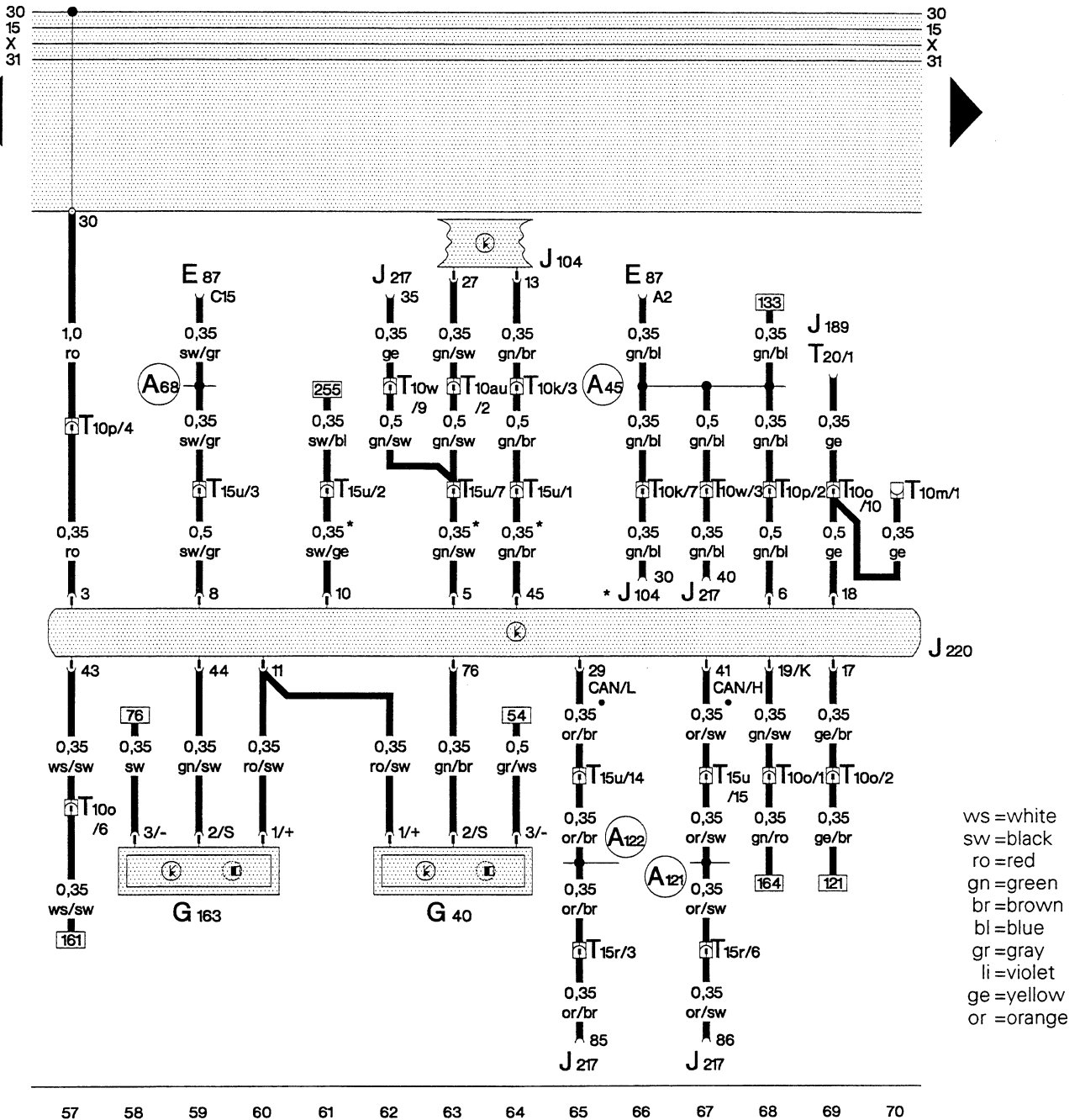
- C 6 - Distributor Ignition (DI) Capacitor
- G 42 - Intake Air Temperature (IAT) Sensor
- J 220 - Motronic Engine Control Module (ECM)
- N - Ignition Coil
- N 30 - Cylinder 1 Fuel Injector
- N 31 - Cylinder 2 Fuel Injector
- N 32 - Cylinder 3 Fuel Injector
- N 33 - Cylinder 4 Fuel Injector
- N 83 - Cylinder 5 Fuel Injector
- N 84 - Cylinder 6 Fuel Injector
- N 122 - Power Output Stage
- N 128 - Ignition Coil 2
- N 158 - Ignition Coil 3
- P - Spark Plug Connectors
- Q - Spark Plugs
- S 232 - Fuse
- T 5 f - Connector 5 pin, ignition coil unit

- T 10 n - Connector 10 pin, orange, connector station electronic box plenum chamber
- (85) - Ground connection -1-, in engine compartment wiring harness
- (D95) - Wire connection (injectors), in engine compartment wiring harness
- (D131) - Wire connection (15), above fuse, in engine compartment wiring harness
- (D136) - Plus connection -2- (15a), in wiring harness engine compartment



- G 2 - Engine Coolant Temperature (ECT) Sensor
- G 28 - Engine Speed (RPM) Sensor
- G 61 - Knock Sensor (KS) 1
- G 62 - Engine Coolant Temperature (ECT) Sensor
- G 66 - Knock Sensor (KS) 2
- J 220 - Motronic Engine Control Module (ECM)
- J 338 - Throttle Valve Control Module
- T 3 w - Connector 3 pin, grey, on engine speed sensor
- T 3 x - Connector 3 pin, blue, on knock sensor 1
- T 3 y - Connector 3 pin, blue, on knock sensor 2
- T 6 f - Connector 6 pin, darkbrown, connector station A pillar, right
- T 10 n - Connector 10 pin, orange, connector station electronic box plenum chamber
- T 10 p - Connector 10 pin, black, connector station electronic box plenum chamber
- V 144 - Leak Detection Pump (LDP)

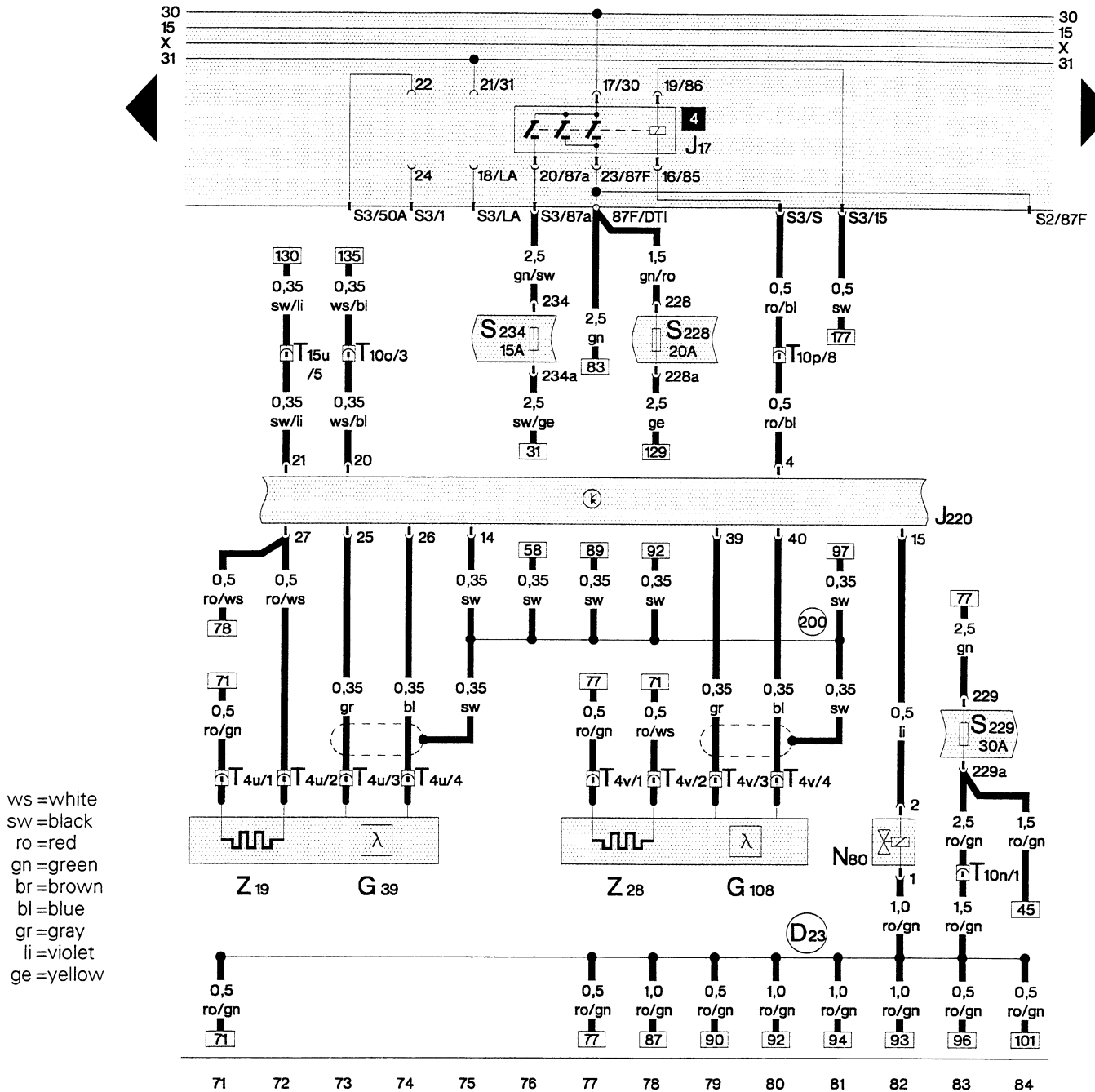
- 220 - Ground connection (sensor ground), in engine compartment wiring harness
- 269 - Ground connector (sensor ground) -1-, in instrument panel wiring harness



- E 87 - A/C Control Head
- G 40 - Camshaft Position (CMP) Sensor
- G 163 - Camshaft Position (CMP) Sensor 2
- J 104 - ABS Control Module (w/EDL)
- J 189 - Auto Check System
- J 217 - Transmission Control Module (TCM)
- J 220 - Motronic Engine Control Module (ECM)
- T 10 k - Connector 10 pin, orange, connector station A pillar, left
- T 10 m - Connector 10 pin, blue, connector station electronic box plenum chamber
- T 10 o - Connector 10 pin, brown, connector station electronic box plenum chamber
- T 10 p - Connector 10 pin, black, connector station electronic box plenum chamber
- T 10 w - Connector 10 pin, blue, connector station A pillar, right
- T 10 au - Connector 10 pin, grey, connector station A pillar, right
- T 15 r - Connector 15 pin, brown, connector station A pillar, right

- T 15 u - Connector 15 pin, red, connector station electronic box plenum chamber
- T 20 - Connector 20 pin, red/white, on instrument cluster
- (A45) - Wire connection (RPM-signal), in instrument panel wiring harness
- (A68) - Connector (C15, A/C), in instrument panel wiring harness
- (A121) - Connection (high bus) in instrument panel wiring harness
- (A122) - Connection (low bus) in instrument panel wiring harness

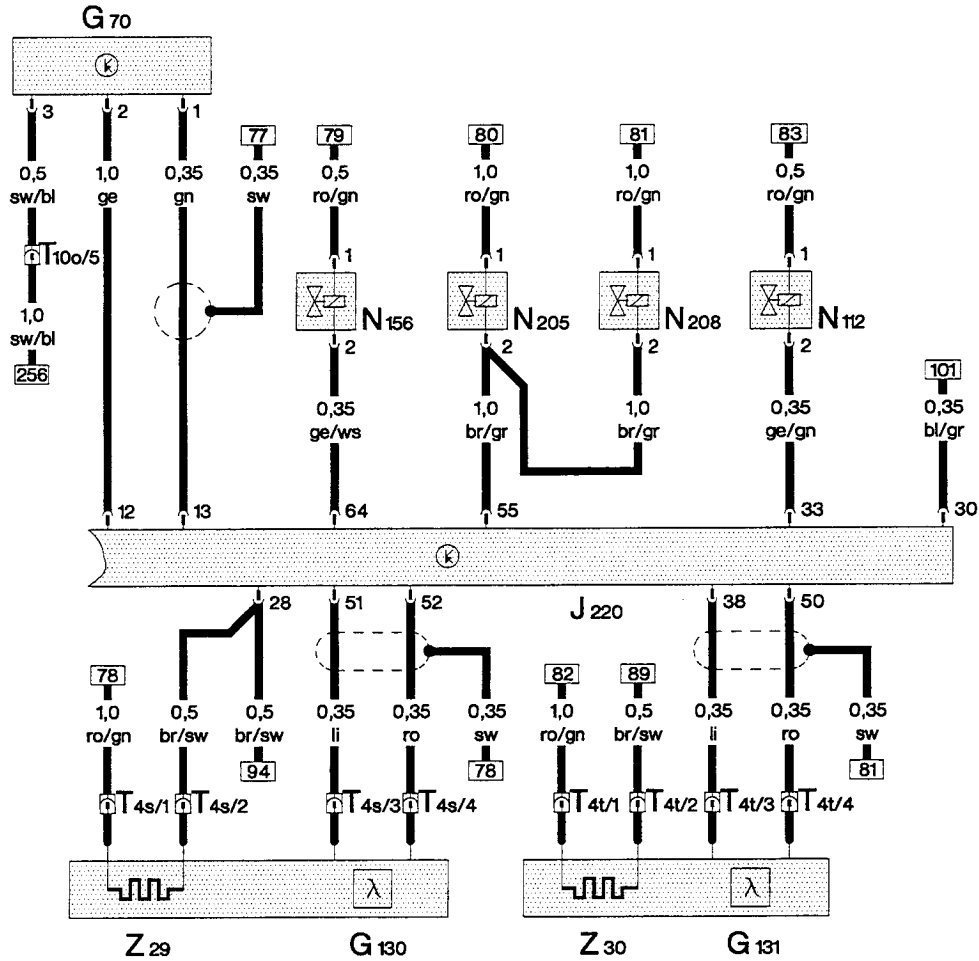
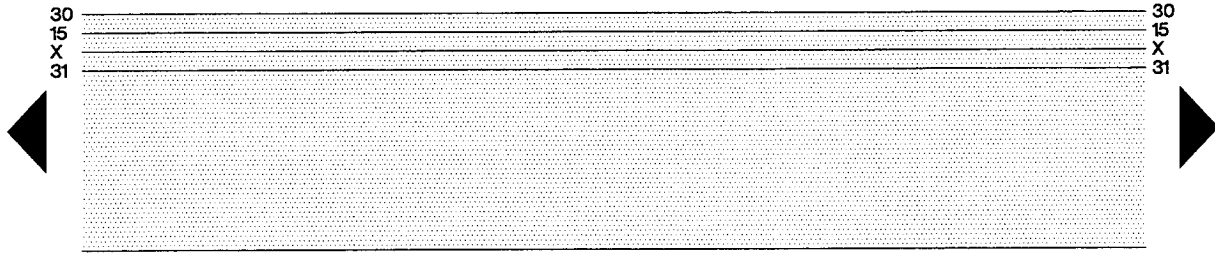
- - CAN-Bus
- \* - Vehicles with front wheel drive



97-50467

- G 39 - Heated Oxygen Sensor (HO2S)
- G 108 - Heated Oxygen Sensor (HO2S) 2
- J 17 - Fuel Pump (FP) Relay
- J 220 - Motronic Engine Control Module (ECM)
- N 80 - Evaporative Emission (EVAP) Canister Purge Regulator Valve
- S 228 - Fuse
- S 229 - Fuse
- S 234 - Fuse
- T 4 u - Connector 4 pin, black, Heated Oxygen Sensor
- T 4 v - Connector 4 pin, black, Heated Oxygen Sensor 2
- T 10 n - Connector 10 pin, orange, connector station electronic box plenum chamber
- T 10 o - Connector 10 pin, brown, connector station electronic box plenum chamber
- T 10 p - Connector 10 pin, black, connector station electronic box plenum chamber
- (200) - Ground connection (shielding), in engine compartment wiring harness
- (D23) - Connector (over fuse 229), in wiring harness front, right

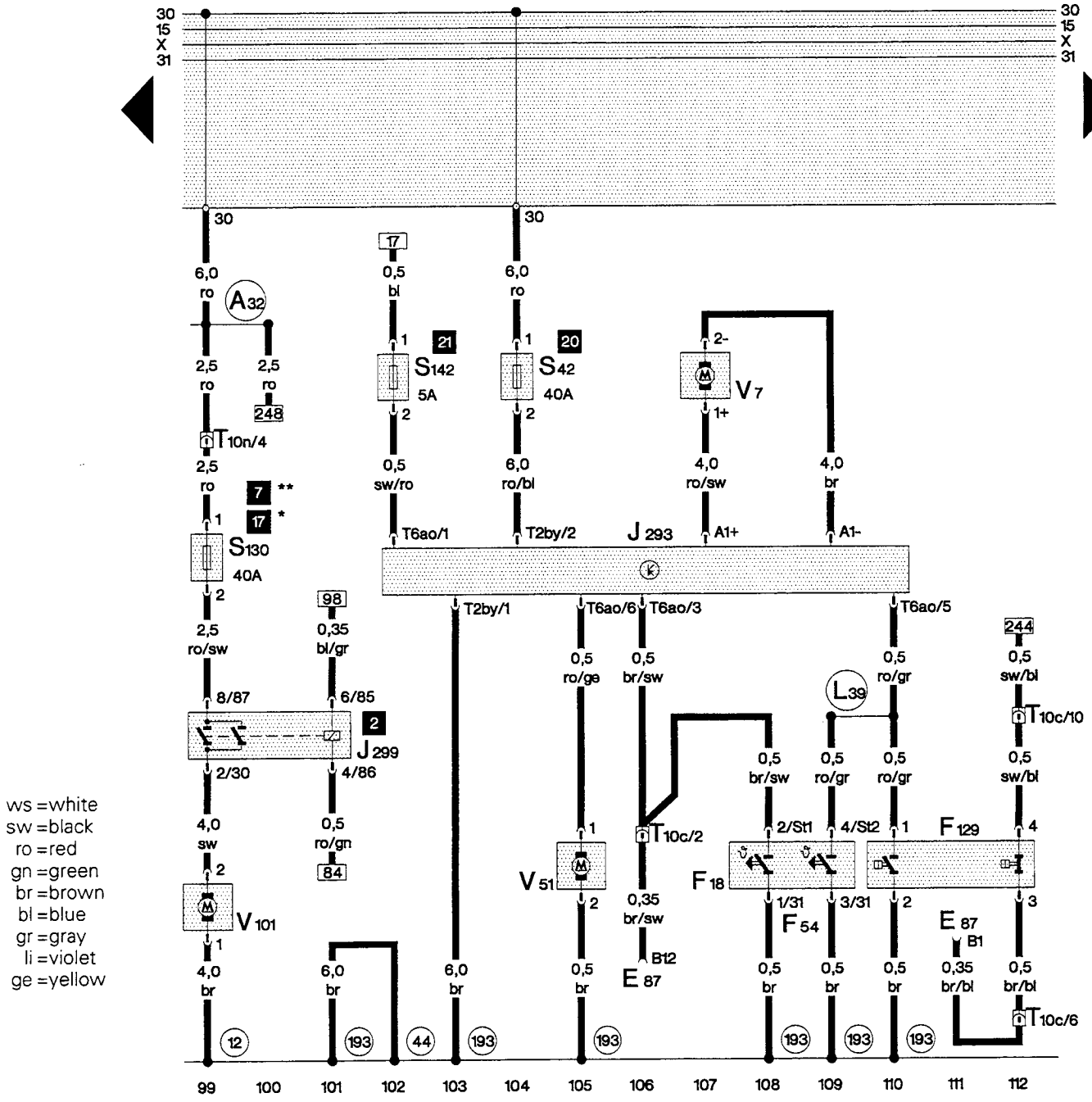




85 86 87 88 89 90 91 92 93 94 95 96 97 98

97-50468

- G 70 - Mass Air Flow (MAF) Sensor
- G 130 - Oxygen Sensor (O2S) Behind Three Way Catalytic Converter (TWC)
- G 131 - Oxygen Sensor (O2S) 2 Behind Three Way Catalytic Converter (TWC)
- J 220 - Motronic Engine Control Module (ECM)
- N 112 - Secondary Air Injection (AIR) Solenoid Valve
- N 156 - Intake Manifold Change-Over Valve
- N 205 - Valve -1- for camshaft adjustment
- N 208 - Valve -2- for camshaft adjustment
- T 4 s - Connector 4 pin, green, near oxygen sensor, behind Three Way Catalytic Converter (TWC)
- T 4 t - Connector 4 pin, brown, near oxygen sensor 2, behind Three Way Catalytic Converter (TWC)
- T 10 o - Connector 10 pin, brown, connector station electronic box plenum chamber
- Z 29 - Heater for Lambda-probe 1
- Z 30 - Heater for Lambda-probe 2



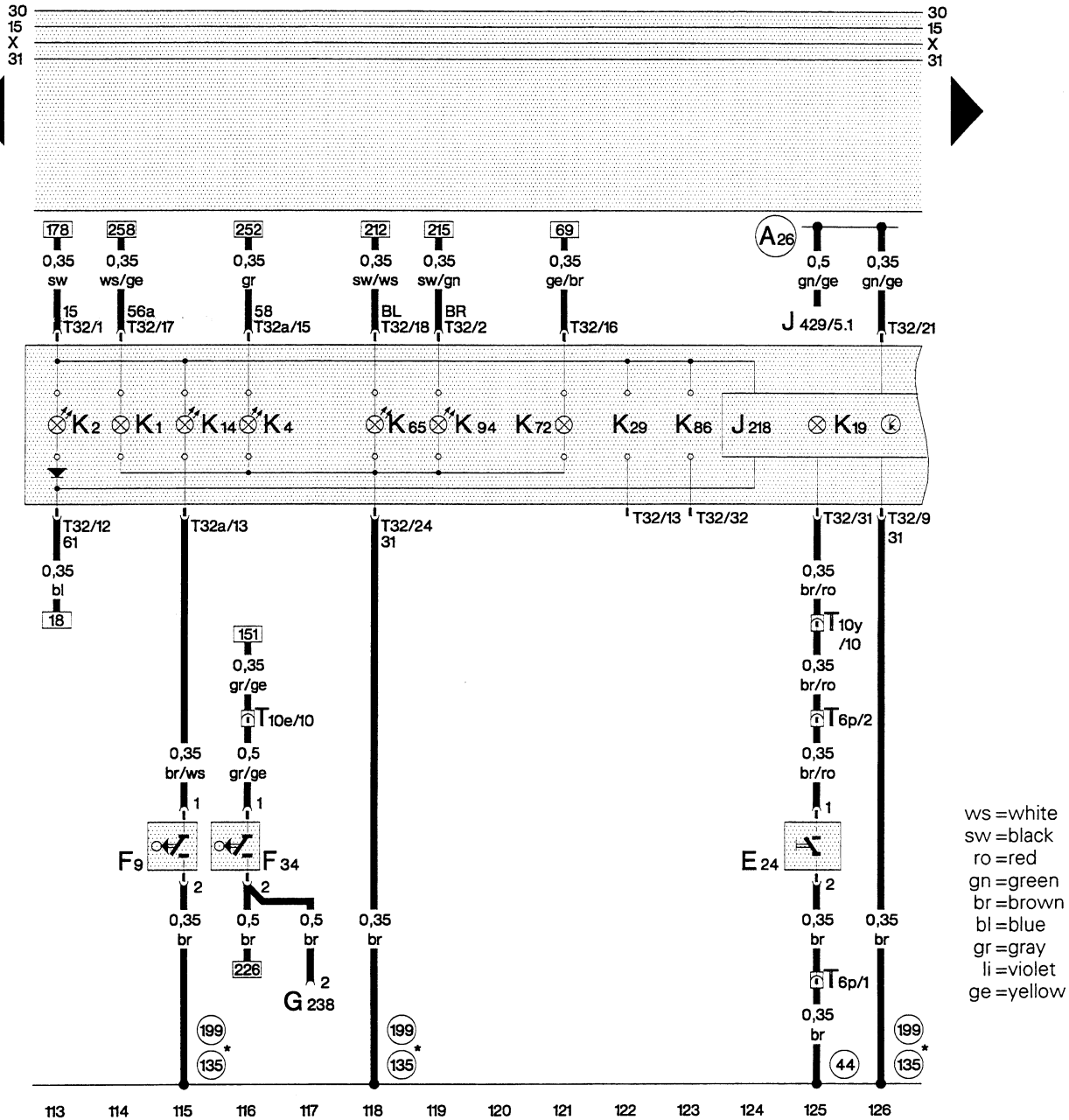
ws = white  
 sw = black  
 ro = red  
 gn = green  
 br = brown  
 bl = blue  
 gr = gray  
 li = violet  
 ge = yellow

97-50469

- E 87 - A/C Control Head
- F 18 - Coolant Fan Control (FC) Thermal Switch
- F 54 - Coolant Fan Control (FC) Thermal Switch
- F 129 - A/C Pressure Switch
- J 293 - Coolant FC (Fan Control) Control Module
- J 299 - Secondary Air Injection (AIR) Pump Relay
- S 42 - Coolant Fan Fuse
- S 130 - Fuse for secondary air pump
- S 142 - Control module fuse for coolant fan
- T 2 by - Connector 2 pin, on Coolant FC (Fan Control) Control Module
- T 6 ao - Connector 6 pin, on Coolant FC (Fan Control) Control Module
- T 10 c - Connector 10 pin, grey, connector station A pillar, left
- T 10 n - Connector 10 pin, orange, connector station electronic box plenum chamber
- V 7 - Coolant Fan
- V 51 - After-Run Coolant Pump

- V 101 - Secondary Air Injection (AIR) Pump Motor
- (12) - Ground connection, in engine compartment, left
- (44) - Ground connection, on left A-pillar, lower part
- (193) - Ground connection -1-, in coolant fan wiring harness
- (A32) - Plus connection (30), in instrument panel wiring harness
- (L39) - Wire connection -1-(A/C Pressure Switch), in Climatronic wiring harness

\* - upto october 1998  
 \*\* - from november 1998



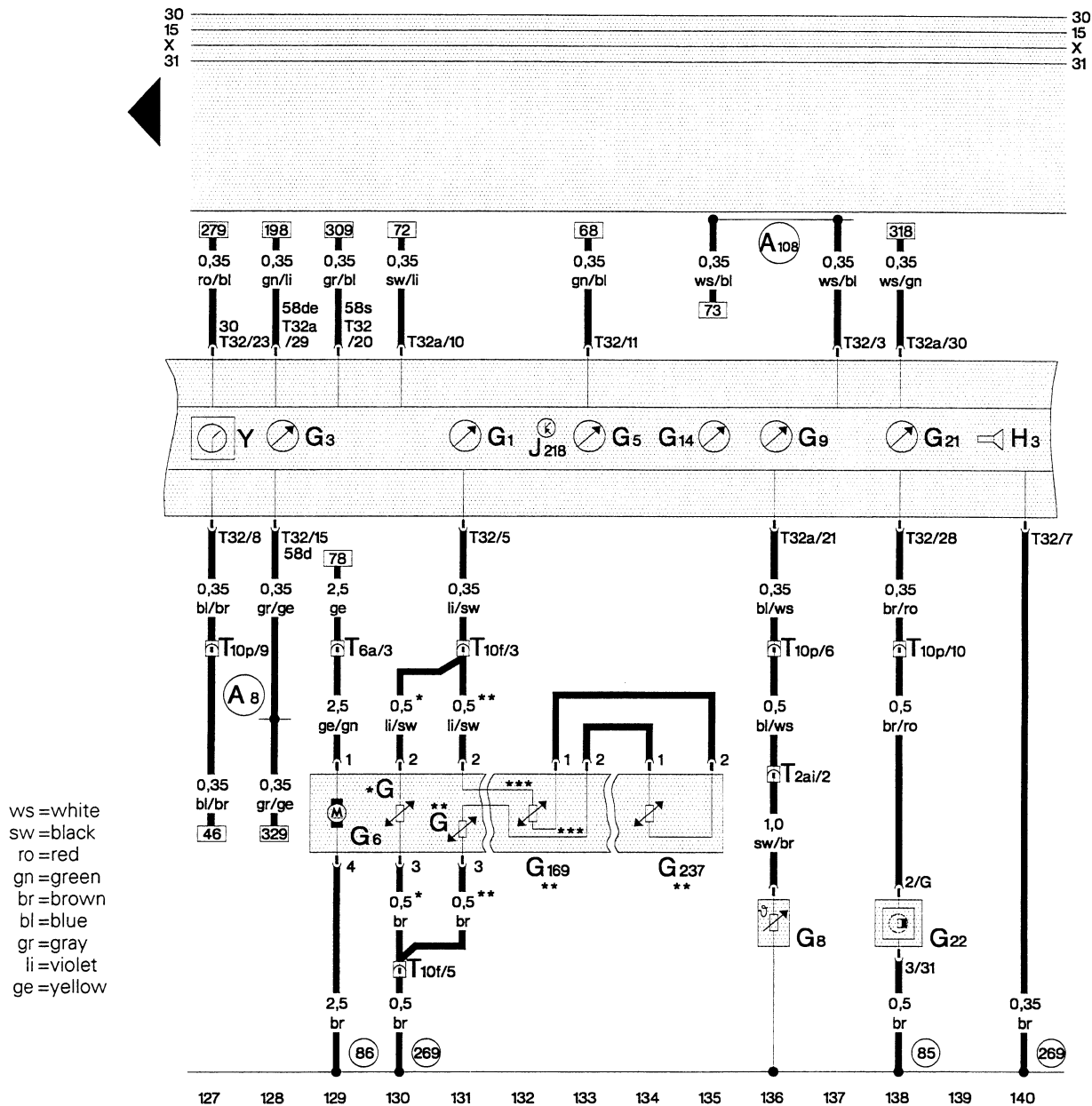
97-50470

- E 24 - Left Seat Belt Switch
- F 9 - Parking Brake Warning Light
- F 34 - Brake Fluid Level Warning Switch
- G 238 - Sensor for air quality
- J 218 - Instrument Cluster Combination Processor
- J 429 - Control module for central locking
- K 1 - Headlight High Beam Indicator Light
- K 2 - Generator (GEN) Warning Light
- K 4 - Park Light Indicator Light
- K 14 - Parking Brake Indicator Light
- K 19 - Seat Belt Warning Light
- K 29 - Glow Plug Indicator Light
- K 65 - Left Turn Signal Indicator Light
- K 72 - Warning light for catalyst monitoring
- K 86 - Traction Control Indicator Light
- K 94 - Right Turn Signal Indicator Light
- T 6 p - Connector 6 pin, red, below driver's seat
- T 10 e - Connector 10 pin, violet, connector station A pillar, left

- T 10 y - Connector 10 pin, green, connector station A pillar, right
- T 32 - Connector 32 pin, blue, on instrument cluster
- T 32 a - Connector 32 pin, green, on instrument cluster

- (44) - Ground connection, on left A-pillar, lower part
- (135) - Ground connection -2-, in instrument panel wiring harness
- (199) - Ground connection -3-, in instrument panel wiring harness
- (A26) - Wire connection (driver's door contact switch), in instrument panel wiring harness

\* - both is possible

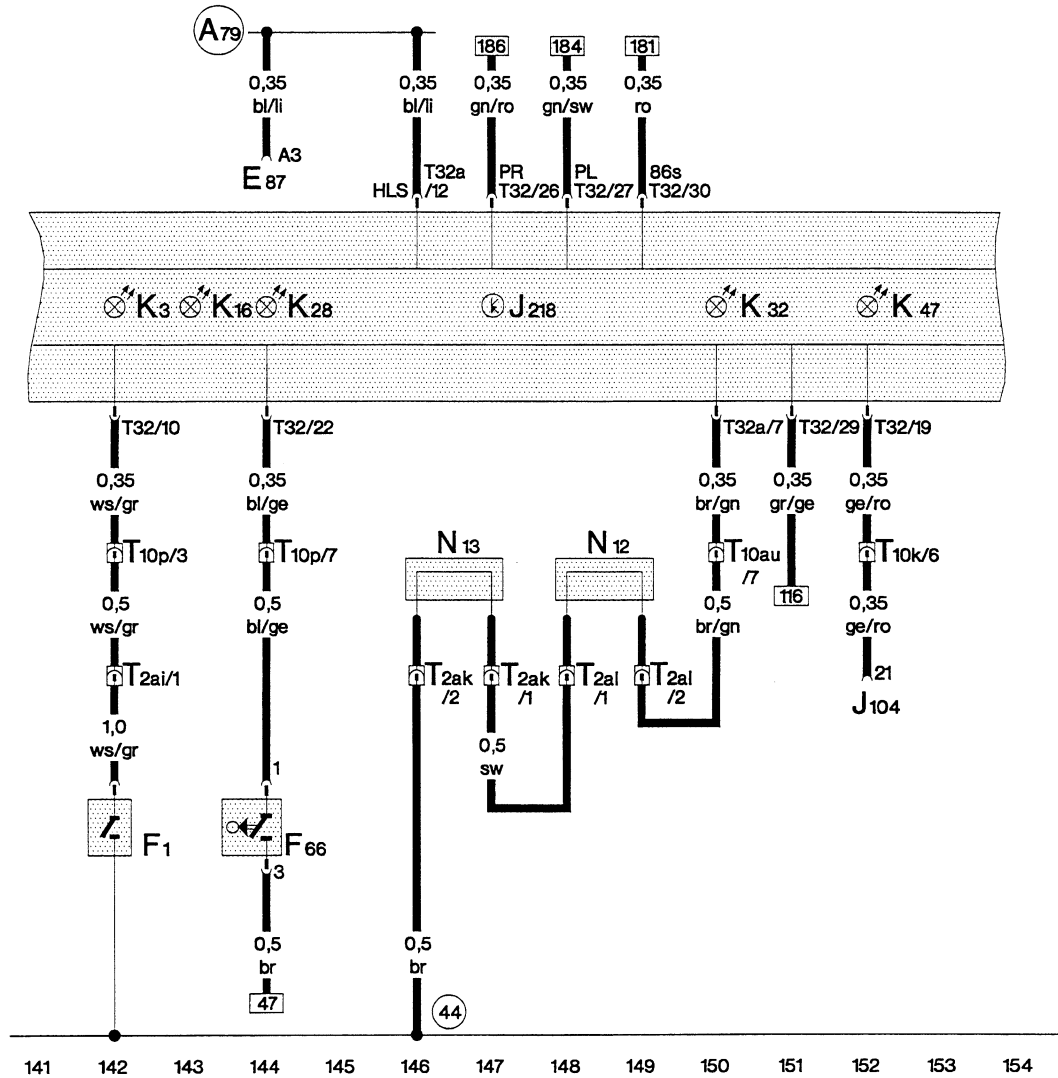
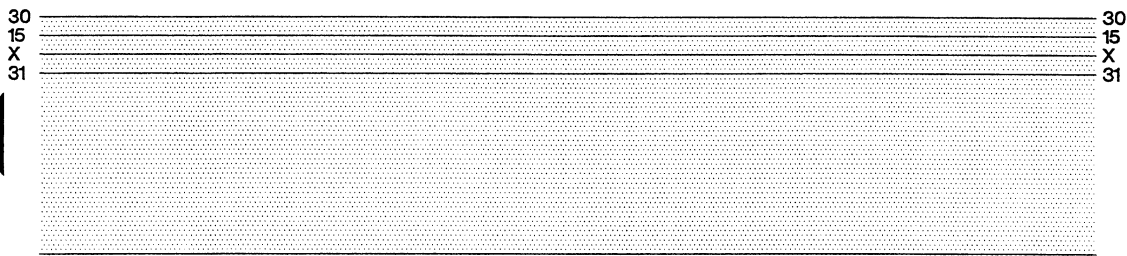


ws = white  
 sw = black  
 ro = red  
 gn = green  
 br = brown  
 bl = blue  
 gr = gray  
 li = violet  
 ge = yellow

97-50471

- G - Fuel Level Sensor
- G 1 - Fuel Gauge
- G 3 - Engine Coolant Temperature (ECT) Gauge
- G 5 - Tachometer
- G 6 - Fuel Pump (FP)
- G 8 - Engine Oil Temperature Sensor
- G 9 - Engine Oil Temperature Gauge
- G 14 - Voltmeter
- G 21 - Speedometer
- G 22 - Speedometer Vehicle Speed Sensor (VSS)
- G 169 - Fuel Level Sensor 2
- G 237 - Fuel Level Sensor 3
- H 3 - Warning Buzzer
- J 218 - Instrument Cluster Combination Processor
- T 2 ai - Connector 2 pin, black, oil sensor
- T 6 a - Connector 6 pin, blue, connector station A pillar, left
- T 10 f - Connector 10 pin, brown, connector station A pillar, left
- T 10 p - Connector 10 pin, black, connector station electronic box plenum chamber

- T 32 - Connector 32 pin, blue, on instrument cluster
- T 32 a - Connector 32 pin, green, on instrument cluster
- Y - Analog Clock
- (85) - Ground connection -1-, in engine compartment wiring harness
- (86) - Ground connection -1-, in rear wiring harness
- (269) - Ground connector (sensor ground) -1-, in instrument panel wiring harness
- (A8) - Plus connection (58d), in instrument panel wiring harness (Display illumination)
- (A108) - Wire connection (vehicle speed signal), in instrument panel wiring harness
- \* - Vehicles with front-wheel drive
- \*\* - Vehicles with all-wheel drive
- \*\*\* - Wiring inside fuel tank



ws =white  
 sw =black  
 ro =red  
 gn =green  
 br =brown  
 bl =blue  
 gr =gray  
 li =violet  
 ge =yellow

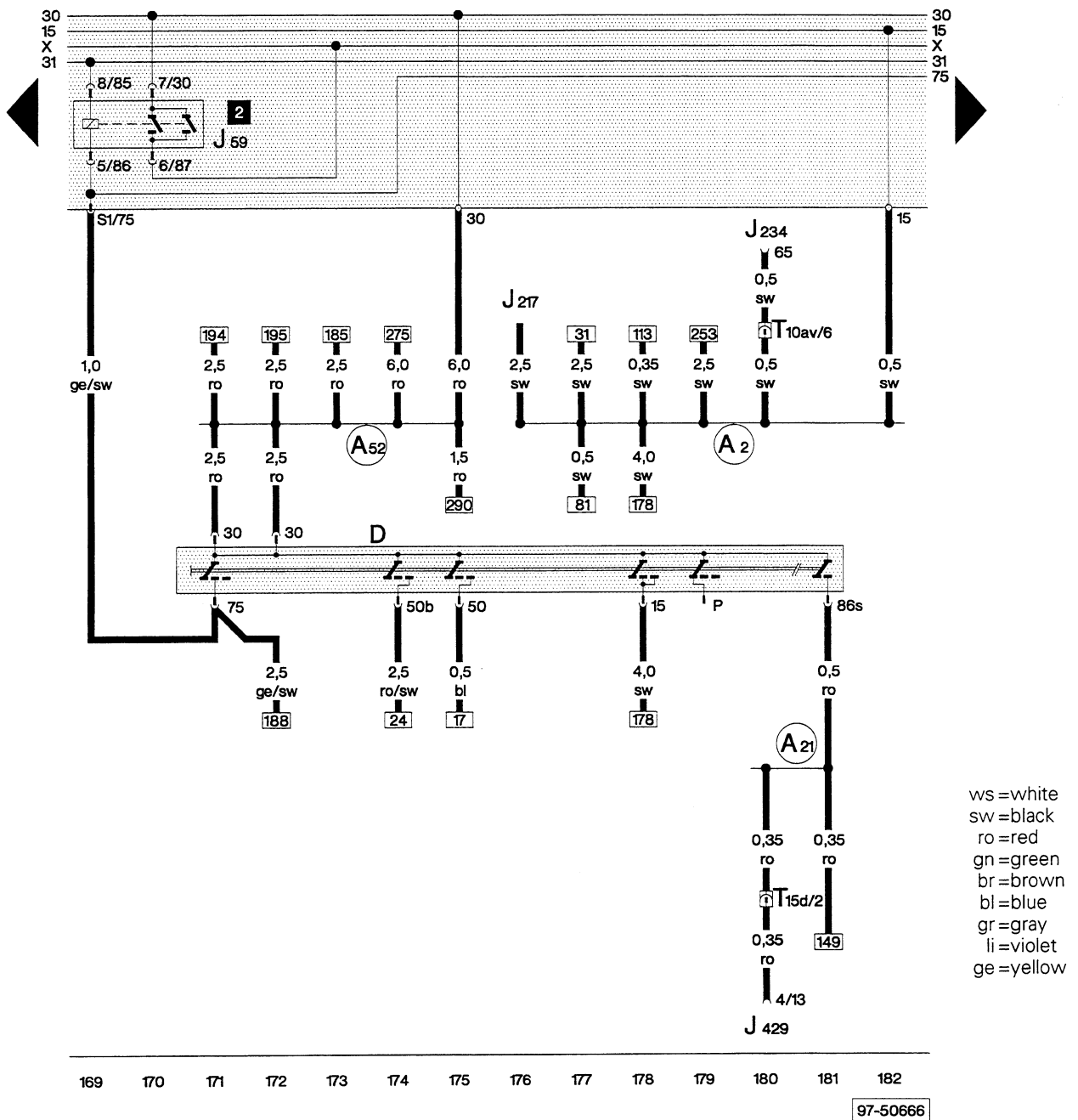
97-50664

- E 87 - A/C Control Head
- F 1 - Oil Pressure Switch
- F 66 - Engine Coolant Level (ECL) Warning Switch
- J 104 - ABS Control Module (w/EDL)
- J 218 - Instrument Cluster Combination Processor
- K 3 - Oil Pressure Warning Light
- K 16 - Fuel Reserve Warning Light
- K 28 - Engine Coolant Level/Temperature (ECL/ECT) Warning Light
- K 32 - Brake Pad Wear Indicator Light
- K 47 - ABS Warning Light
- N 12 - Right Brake Pad Wear Indicator (Shear Element)
- N 13 - Left Brake Pad Wear Indicator (Shear Element)
- T 2 ai- Connector 2 pin, black, oil sensor
- T 2 ak- Connector 2 pin, red, on firewall, left
- T 2 al- Connector 2 pin, red, on firewall, right
- T 10 k - Connector 10 pin, orange, connector station A pillar, left

- T 10 p- Connector 10 pin, black, connector station electronic box plenum chamber
- T 10 au - Connector 10 pin, grey, connector station A pillar, right
- T 32 - Connector 32 pin, blue, on instrument cluster
- T 32 a - Connector 32 pin, green, on instrument cluster

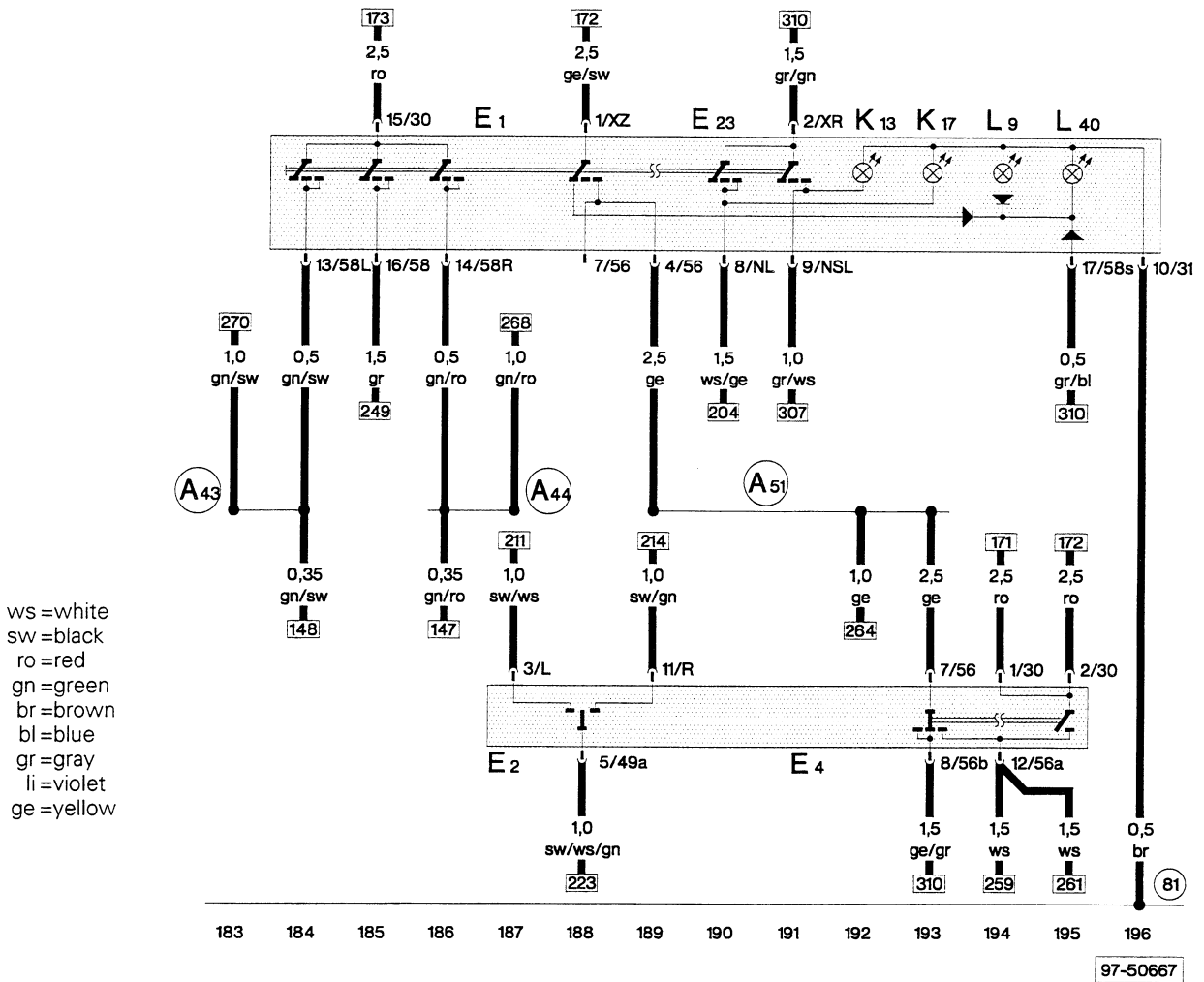
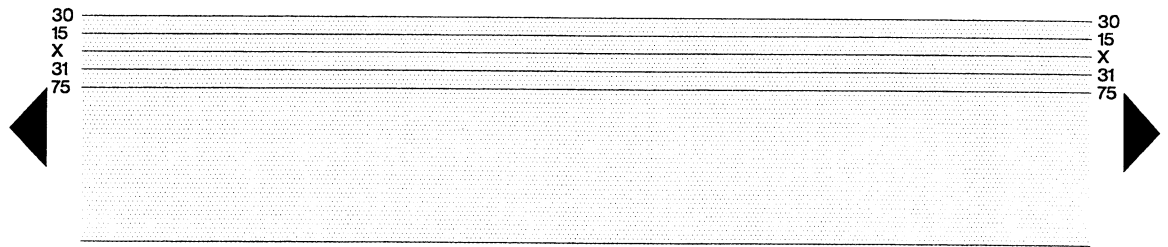
- (44) - Ground connection, on left A-pillar, lower part
- (A79) - Connector (engine overheat warning light), in instrument panel wiring harness





- D - Ignition/Starter Switch
- J 59 - Load Reduction Relay
- J 217 - Transmission Control Module (TCM)
- J 234 - Airbag Control Module
- J 429 - Control module for central locking
- T 10 av- Connector 10 pin, yellow, connector station A pillar, right
- T 15 d- Connector 15 pin, black, connector station A pillar, right

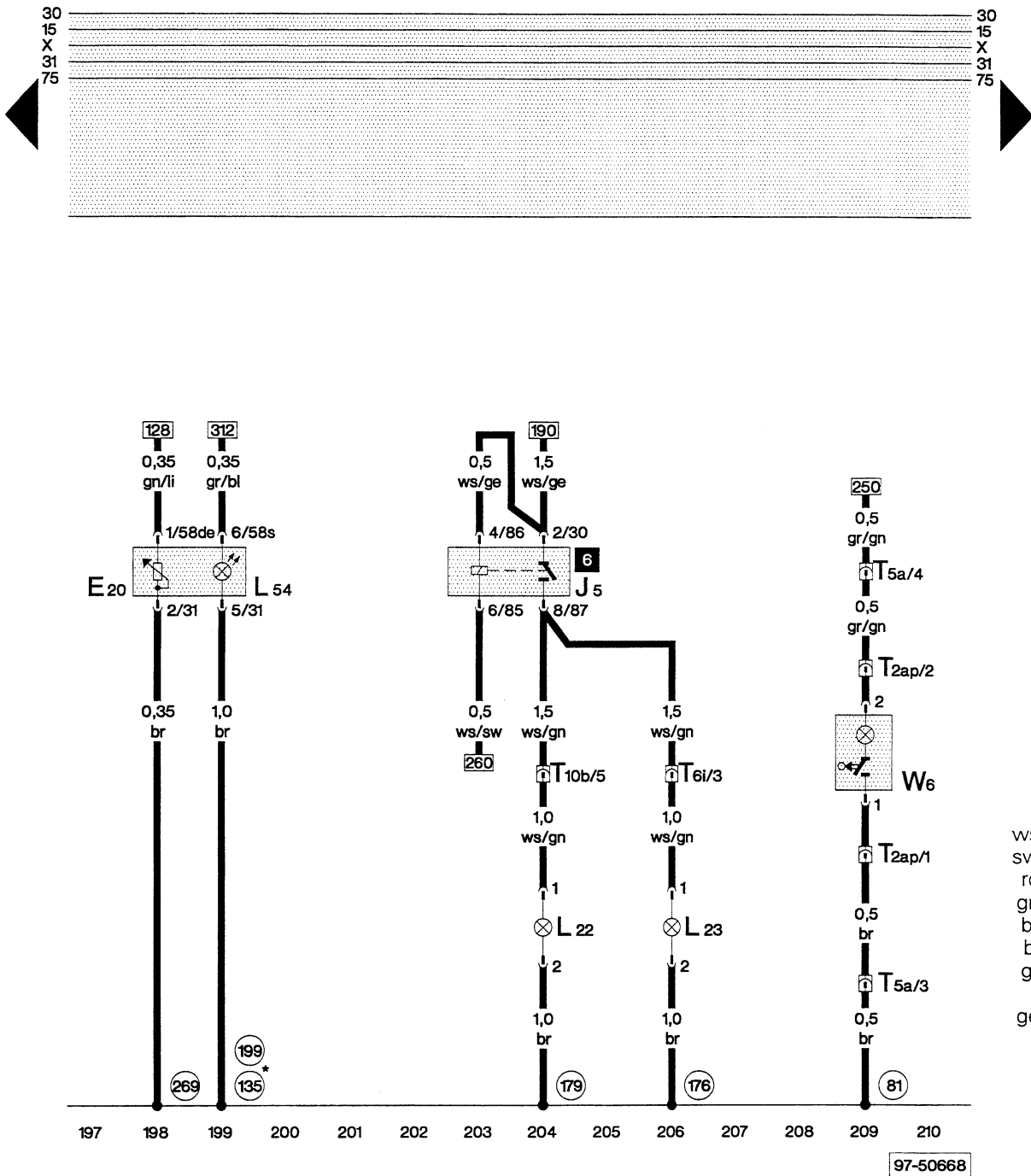
- (A2) - Plus connection (15), in instrument panel wiring harness
- (A21) - Wire connection (86s), in instrument panel wiring harness
- (A52) - Plus connection (30), in instrument panel wiring harness



- E 1 - Light Switch
- E 2 - Turn Signal Switch
- E 4 - Headlight Dimmer/Flasher Switch
- E 23 - Fog Light Switch
- K 13 - Rear Fog Light Indicator Light
- K 17 - Fog Light Indicator Light
- L 9 - Headlight Switch Light
- L 40 - Front And Rear Fog Light Switch Light

- (81) - Ground connection -1-, in instrument panel wiring harness
- (A43) - Wire connection (57L), in instrument panel wiring harness
- (A44) - Wire connection (57R), in instrument panel wiring harness
- (A51) - Wire connection (56), in instrument panel wiring harness



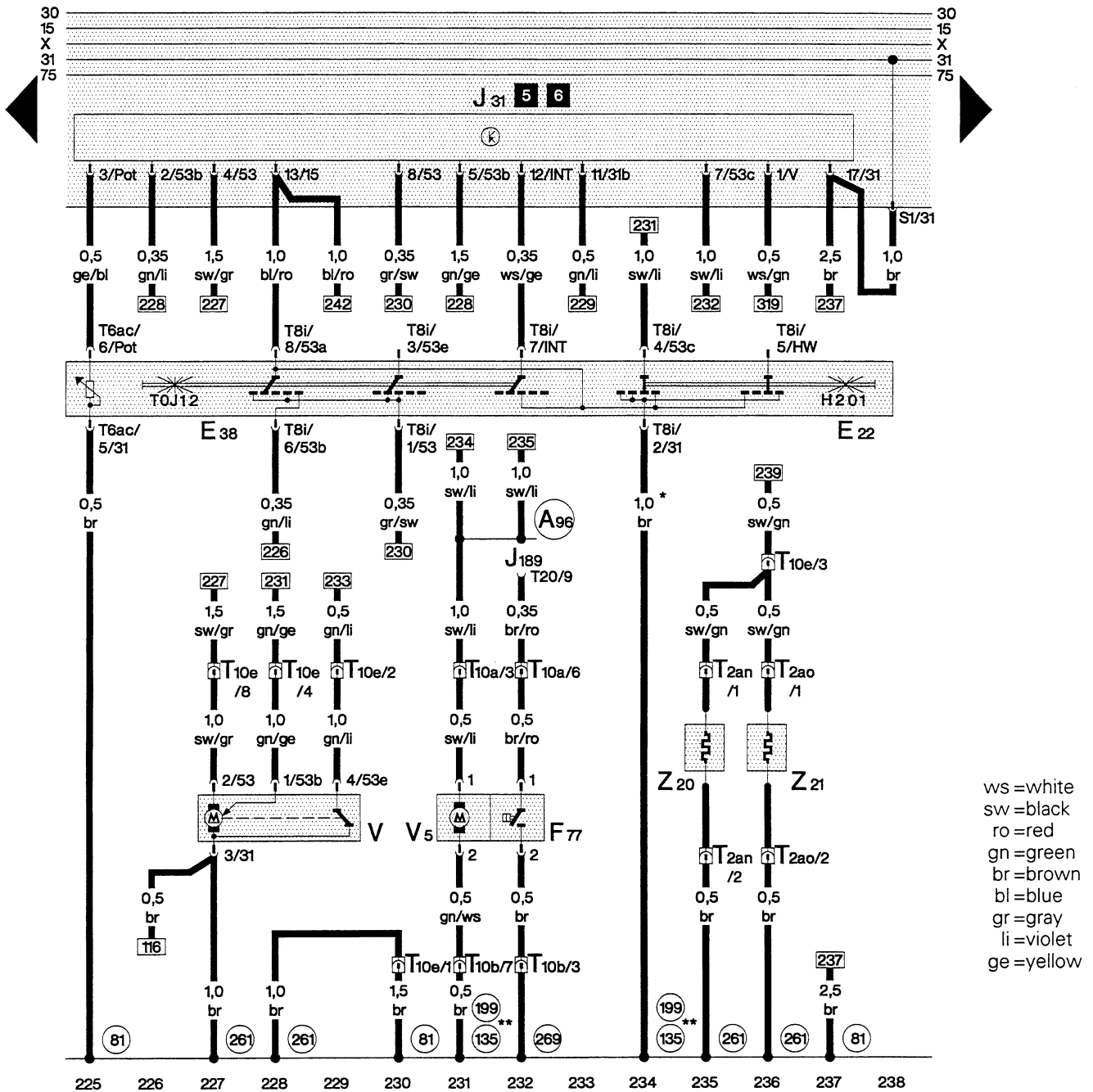


- E 20 - Instrument Panel Light Dimmer Switch
- J 5 - Fog Light Relay
- L 22 - Left Front Fog Light
- L 23 - Right Front Fog Light
- L 54 - Headlight Adjuster Control Light
- T 2ap - Connector 2 pin, black, behind instrument panel, right
- T 5 a - Connector 5 pin, black, behind instrument panel, right
- T 6 i - Connector 6 pin, red, connector station A pillar, right
- T 10 b - Connector 10 pin, red, connector station A pillar, left
- W 6 - Glove Compartment Light

- (81) - Ground connection -1-, in instrument panel wiring harness
- (135) - Ground connection -2-, in instrument panel wiring harness
- (176) - Ground connection, in right headlight wiring harness
- (179) - Ground connection, in left headlight wiring harness
- (199) - Ground connection -3-, in instrument panel wiring harness
- (269) - Ground connector (sensor ground) -1-, in instrument panel wiring harness

\* -both is possible

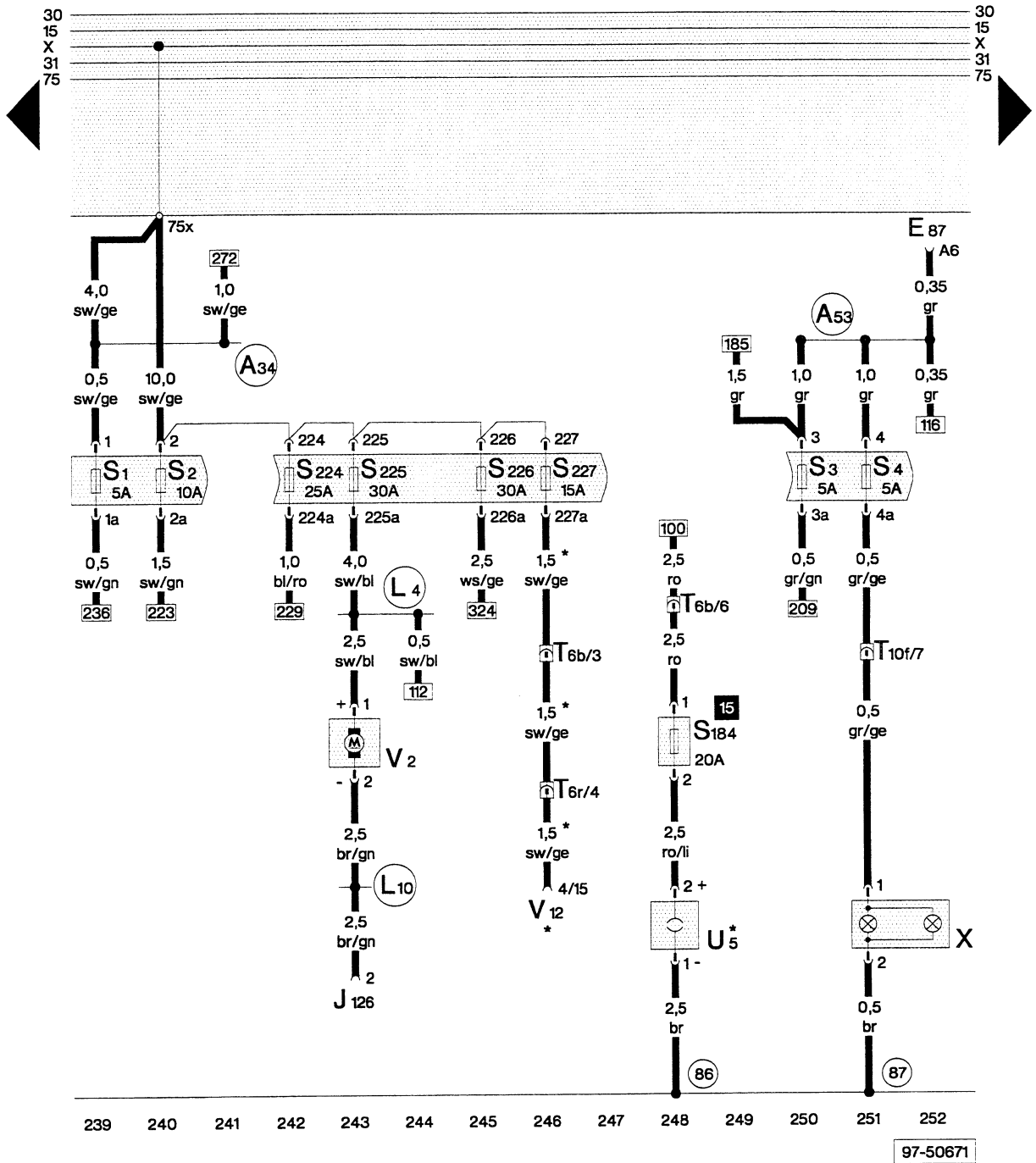




- E 22 - Windshield Wiper/Washer Switch
- E 38 - Windshield Wiper Intermittent Regulator
- F 77 - Windshield Washer Fluid Level Warning Switch
- J 31 - Wiper/Washer Intermittent Relay
- J 189 - Auto Check System
- T 2 an- Connector 2 pin, washer jet, left
- T 2 ao- Connector 2 pin, washer jet, right
- T 6 ac- Connector 6 pin, brown, on windshield wiper intermittent regulator
- T 8 i - Connector 8 pin, on windshield wiper/washer switch
- T 10 a - Connector 10 pin, pink, connector station A pillar, left
- T 10 b - Connector 10 pin, red, connector station A pillar, left
- T 10 e - Connector 10 pin, violet, connector station A pillar, left
- T 20 - Connector 20 pin, red/white, on instrument cluster
- V - Windshield Wiper Motor
- V 5 - Windshield Washer Pump
- Z 20 - Left Washer Nozzle Heater
- Z 21 - Right Washer Nozzle Heater

- (81) - Ground connection -1-, in instrument panel wiring harness
- (135) - Ground connection -2-, in instrument panel wiring harness
- (199) - Ground connection -3-, in instrument panel wiring harness
- (261) - Ground connection, in wiring harness heated spray jet
- (269) - Ground connector (sensor ground) -1-, in instrument panel wiring harness
- (A96) - Connector (53a), in instrument panel wiring harness

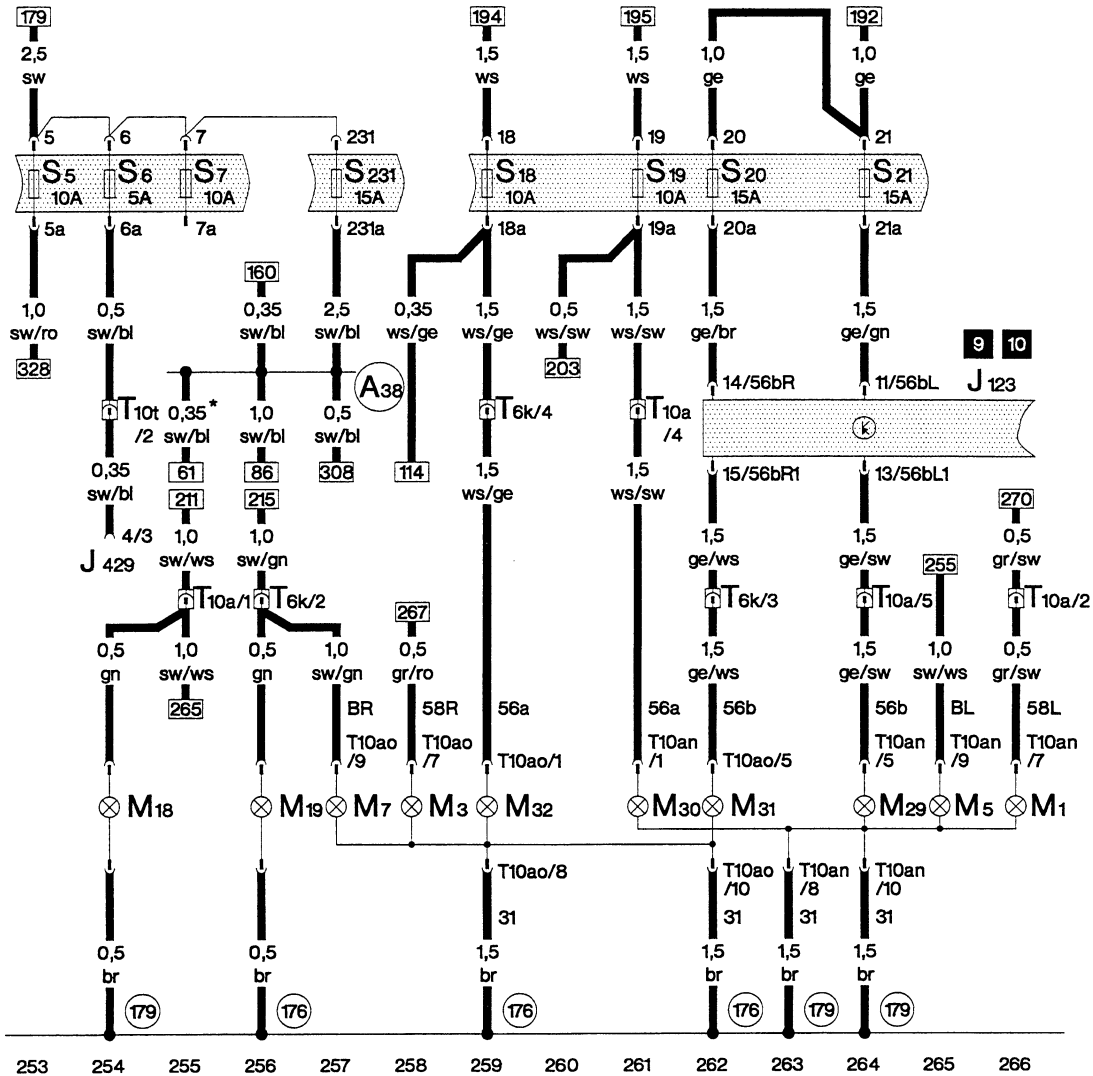
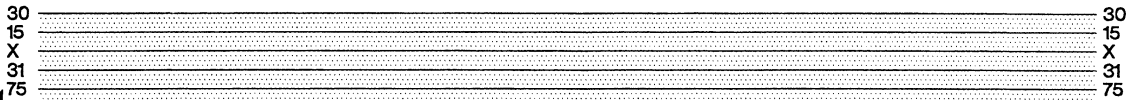
\* - only wagon  
 \*\* - booth is possible



- E 87 - A/C Control Head
- J 126 - Control module for fresh air blower
- S 1 - Fuse
- S 2 - Fuse
- S 3 - Fuse
- S 4 - Fuse
- S 184 - Fuse for Luggage Compartment Socket
- S 224 - Fuse
- S 225 - Fuse
- S 226 - Fuse
- S 227 - Fuse
- T 6 b - Connector 6 pin, white, connector station A pillar, left
- T 6 r - Connector 6 pin, brown, in luggage compartment
- T 10 f - Connector 10 pin, brown, connector station A pillar, left
- U 5 - 12 V Socket, in Luggage Compartment
- V 2 - Fresh Air Blower
- V 12 - Rear Window Wiper Motor
- X - License Plate Light

- (86) - Ground connection -1-, in rear wiring harness
- (87) - Ground connection -2-, in rear wiring harness
- (A34) - Wire connection (75x), in instrument panel wiring harness
- (A53) - Plus connection (58b), in instrument panel wiring harness
- (L4) - Wire connection (75al), in A/C wiring harness
- (L10) - Wire connection -2-, in A/C wiring harness

\* - only wagon



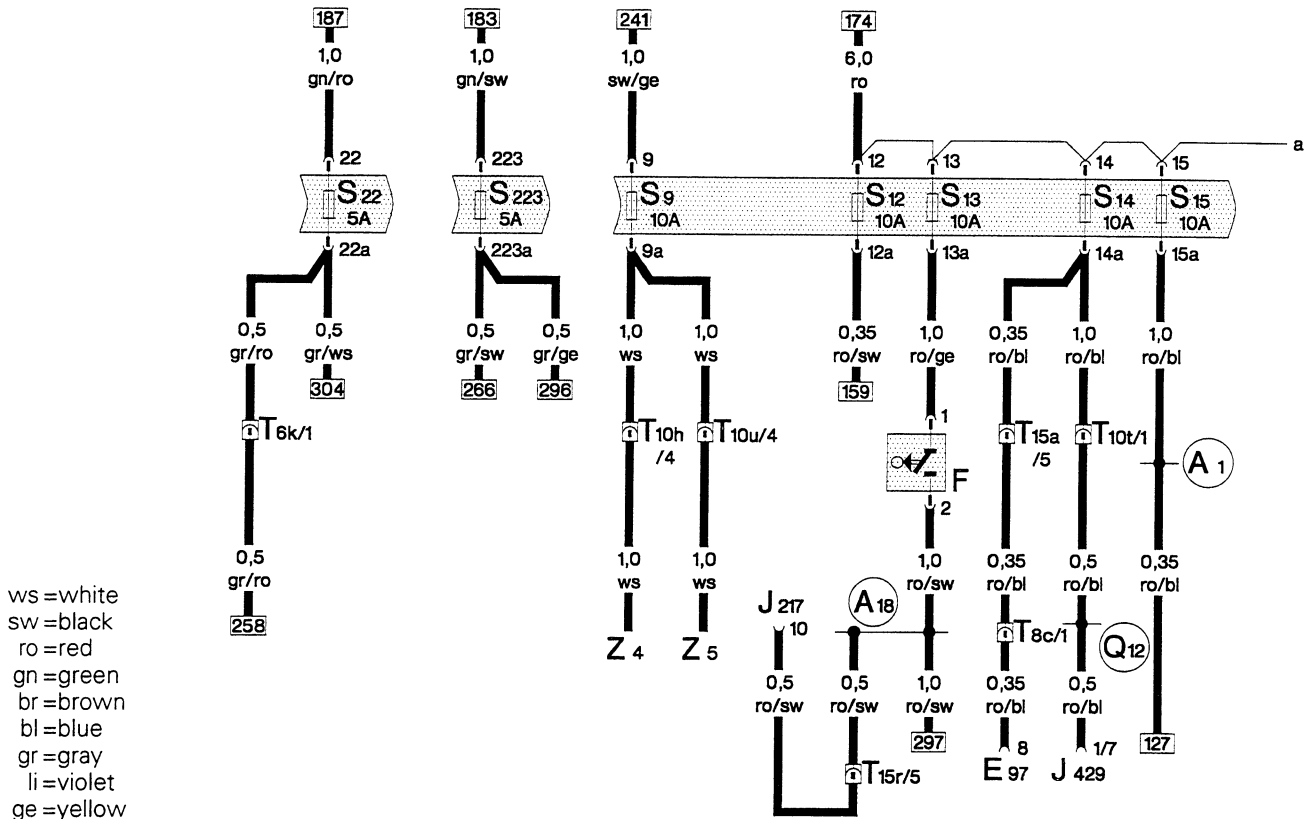
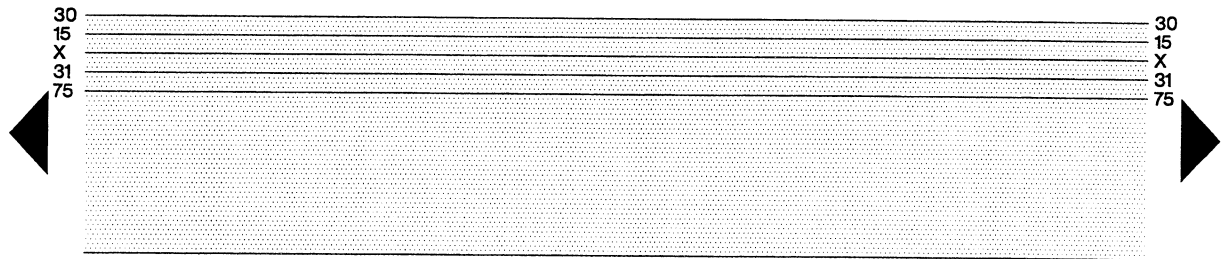
97-50672

- J 123 - Lamp Control Module
- J 429 - Control module for central locking
- M 1 - Left Parking Light
- M 3 - Right Parking Light
- M 5 - Left Front Turn Signal Light
- M 7 - Right Front Turn Signal Light
- M 18 - Left, Side Turn Signal Light
- M 19 - Right, Side Turn Signal Light
- M 29 - Left Low Beam Headlight
- M 30 - Left High Beam Headlight
- M 31 - Right Low Beam Headlight
- M 32 - Right High Beam Headlight
- S 5 - Fuse
- S 6 - Fuse
- S 7 - Fuse
- S 18 - Fuse
- S 19 - Fuse
- S 20 - Fuse

- S 21 - Fuse
- S 231 - Fuse
- T 6 k - Connector 6 pin, pink, connector station A pillar, right
- T 10 a - Connector 10 pin, pink, connector station A pillar, left
- T 10 t - Connector 10 pin, orange, connector station A pillar, right
- T 10 an - Connector 10 pin, on headlight, left
- T 10 ao - Connector 10 pin, on headlight, right

- (176) - Ground connection, in right headlight wiring harness
- (179) - Ground connection, in left headlight wiring harness
- (A38) - Plus connection (15a II), in instrument panel wiring harness

\* - Vehicles with front wheel drive



ws =white  
 sw =black  
 ro =red  
 gn =green  
 br =brown  
 bl =blue  
 gr =gray  
 li =violet  
 ge =yellow

267 268 269 270 271 272 273 274 275 276 277 278 279 280

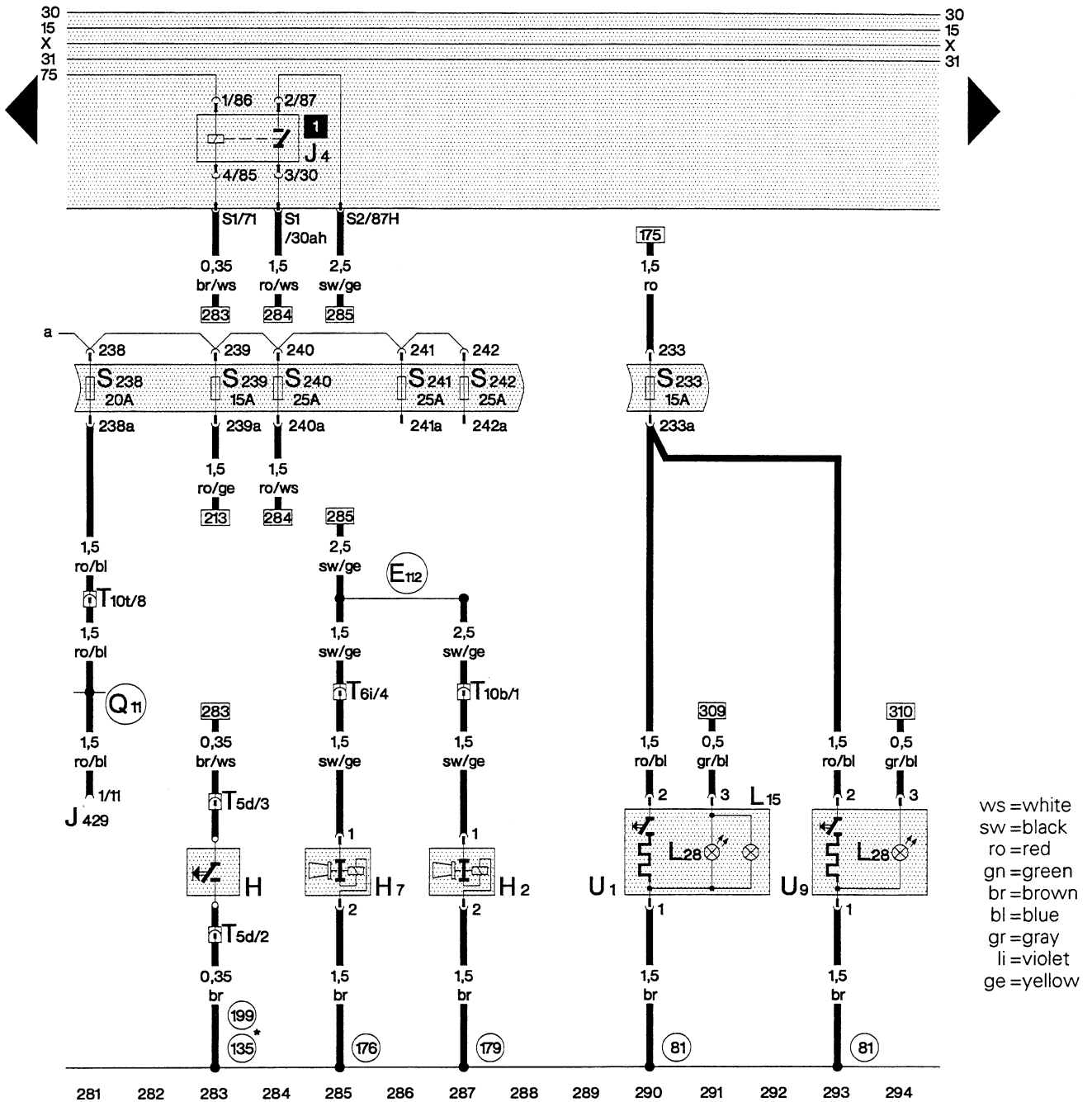
97-50673

- E 97 - Memory Program Switch
- F - Brake Light Switch
- J 217 - Transmission Control Module (TCM)
- J 429 - Control module for central locking
- S 9 - Fuse
- S 12 - Fuse
- S 13 - Fuse
- S 14 - Fuse
- S 15 - Fuse
- S 22 - Fuse
- S 223 - Fuse

- Z 4 - Heated outside mirror, driver side
- Z 5 - Heated outside mirror, passenger side

- (A1) - Plus connection (30a), in instrument panel wiring harness
- (A18) - Wire connection (54), in instrument panel wiring harness
- (Q12) - Plus connection (30a), in power window/central locking system and door contact switch wiring harness

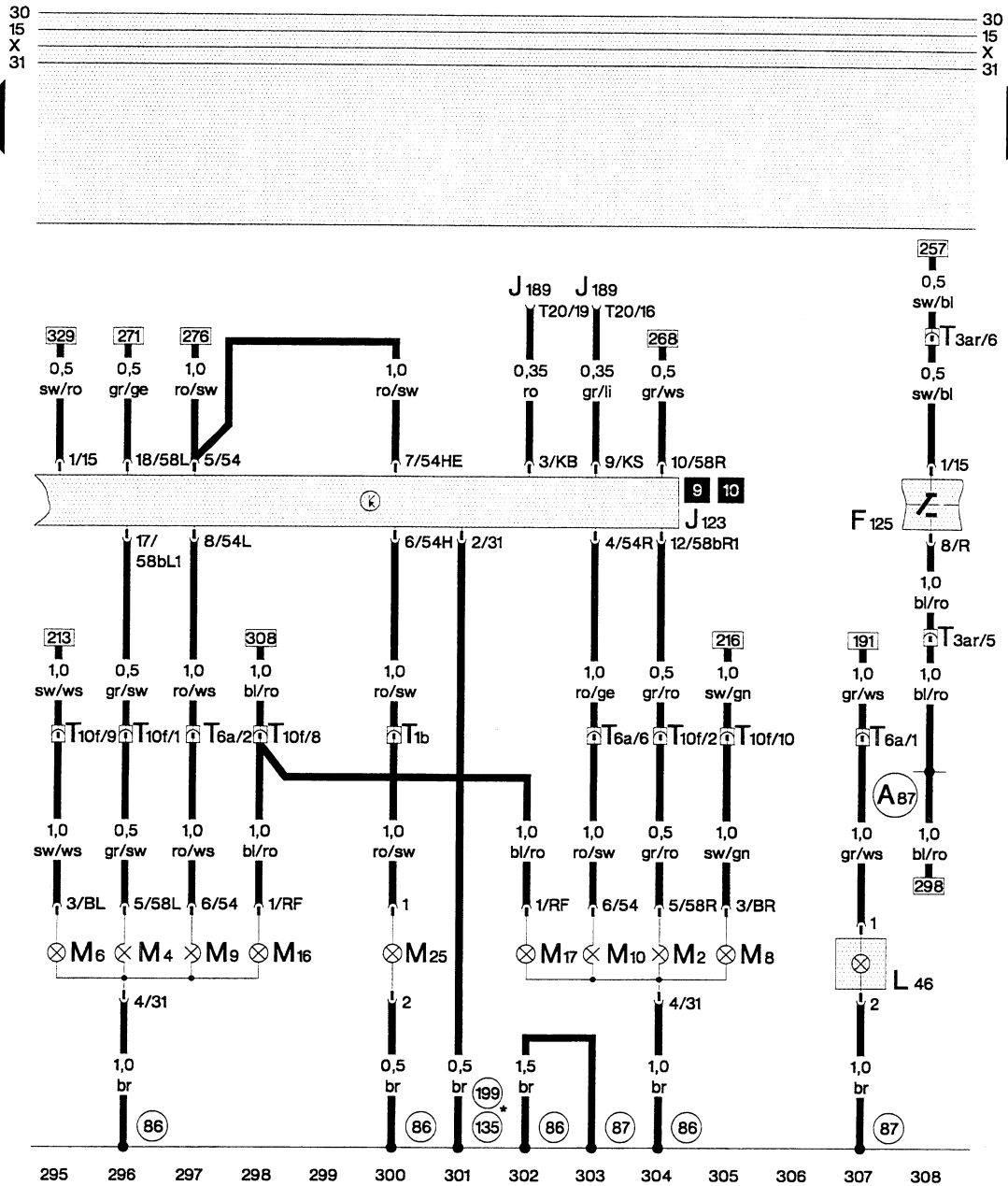
- T 6 k - Connector 6 pin, pink, connector station A pillar, right
- T 8 c - Connector 8 pin, black, in driver's door
- T 10 h - Connector 10 pin, black, connector station A pillar, left
- T 10 t - Connector 10 pin, orange, connector station A pillar, right
- T 10 u - Connector 10 pin, black, connector station A pillar, right
- T 15 a - Connector 15 pin, black, connector station A pillar, left
- T 15 r - Connector 15 pin, brown, connector station A pillar, right



- H - Horn Button
- H 2 - High Tone Horn
- H 7 - Low Tone Horn
- J 4 - Dual Horn Relay
- J 429 - Control module for central locking
- L 15 - Ashtray Light
- L 28 - Cigarette Lighter Light
- S 233 - Fuse
- S 238 - Fuse
- S 239 - Fuse
- S 240 - Fuse
- S 241 - Fuse
- S 242 - Fuse
- T 5 d - Connector 5 pin, behind steering column switch cover
- T 6 i - Connector 6 pin, red, connector station A pillar, right
- T 10 b - Connector 10 pin, red, connector station A pillar, left
- T 10 t - Connector 10 pin, orange, connector station A pillar, right
- U 1 - Cigarette Lighter

- U 9 - Rear Cigarette Lighter
- (81) - Ground connection -1-, in instrument panel wiring harness
- (135) - Ground connection -2-, in instrument panel wiring harness
- (176) - Ground connection, in right headlight wiring harness
- (179) - Ground connection, in left headlight wiring harness
- (199) - Ground connection -3-, in instrument panel wiring harness
- (E112) - Connector (Horn - 87h), in instrument panel wiring harness
- (Q11) - Plus connection (30a), in power window/central locking system and door contact switch wiring harness

\* -both is possible



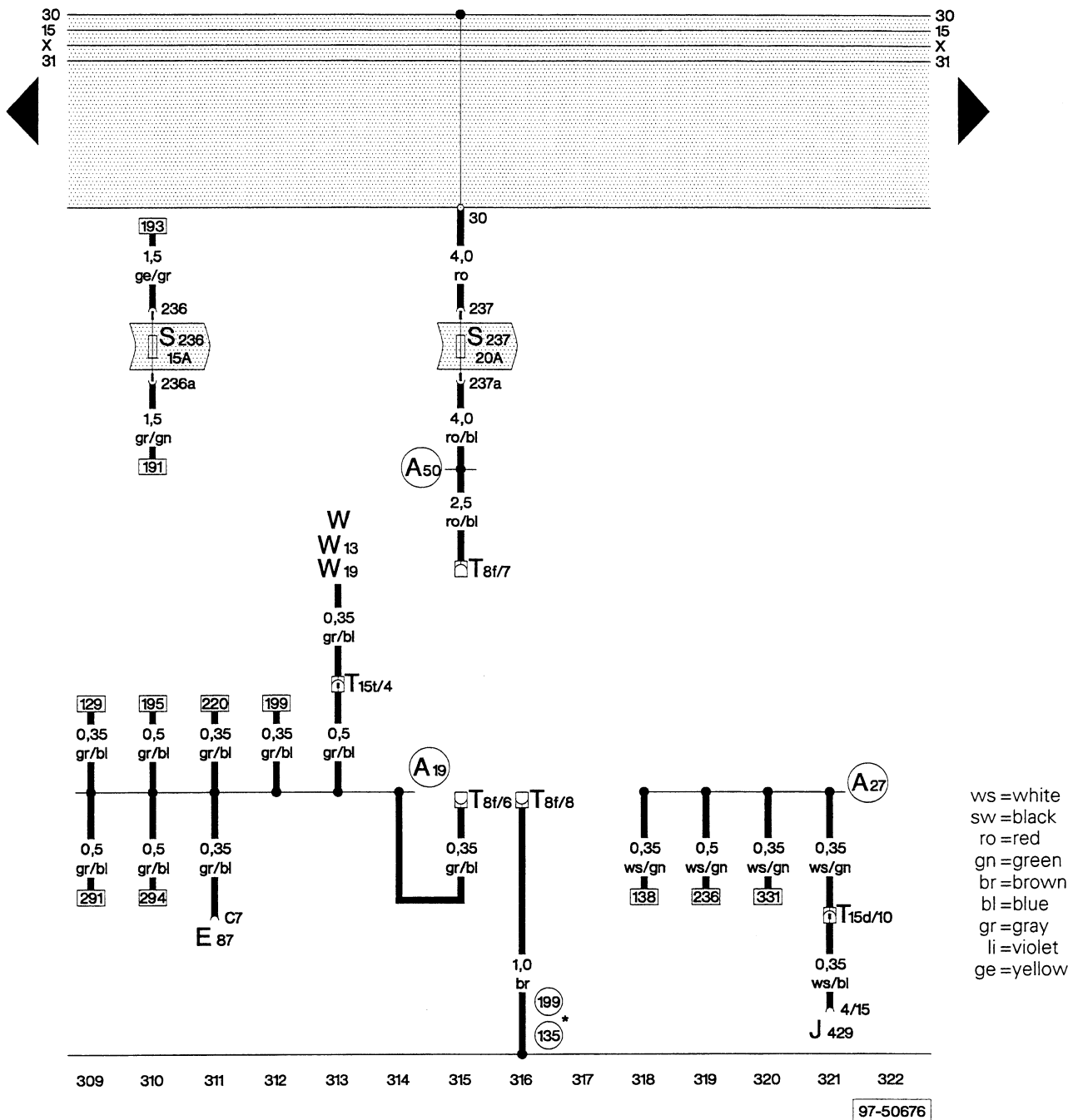
ws = white  
 sw = black  
 ro = red  
 gn = green  
 br = brown  
 bl = blue  
 gr = gray  
 li = violet  
 ge = yellow

- F 125 - Multi-Function Transmission Range (TR) Switch
- J 123 - Lamp Control Module
- J 189 - Auto Check System
- L 46 - Left Rear Fog Light
- M 2 - Right Tail Light
- M 4 - Left Tail Light
- M 6 - Left Rear Turn Signal Light
- M 8 - Right Rear Turn Signal Light
- M 9 - Left Brake Light
- M 10 - Right Brake Light
- M 16 - Left Back-Up Light
- M 17 - Right Back-Up Light
- M 25 - High-mount Brake Light
- T 1 b - Single connector, black, connector station A pillar right
- T 3 ar - Connector 3 pin, brown, connector station A pillar, right
- T 6 a - Connector 6 pin, blue, connector station A pillar, left
- T 10 f - Connector 10 pin, brown, connector station A pillar, left
- T 20 - Connector 20 pin, red/white, on instrument cluster

- (86) - Ground connection -1-, in rear wiring harness
- (87) - Ground connection -2-, in rear wiring harness
- (135) - Ground connection -2-, in instrument panel wiring harness
- (199) - Ground connection -3-, in instrument panel wiring harness
- (A87) - Connector (RF), in instrument panel wiring harness

\* - booth is possible

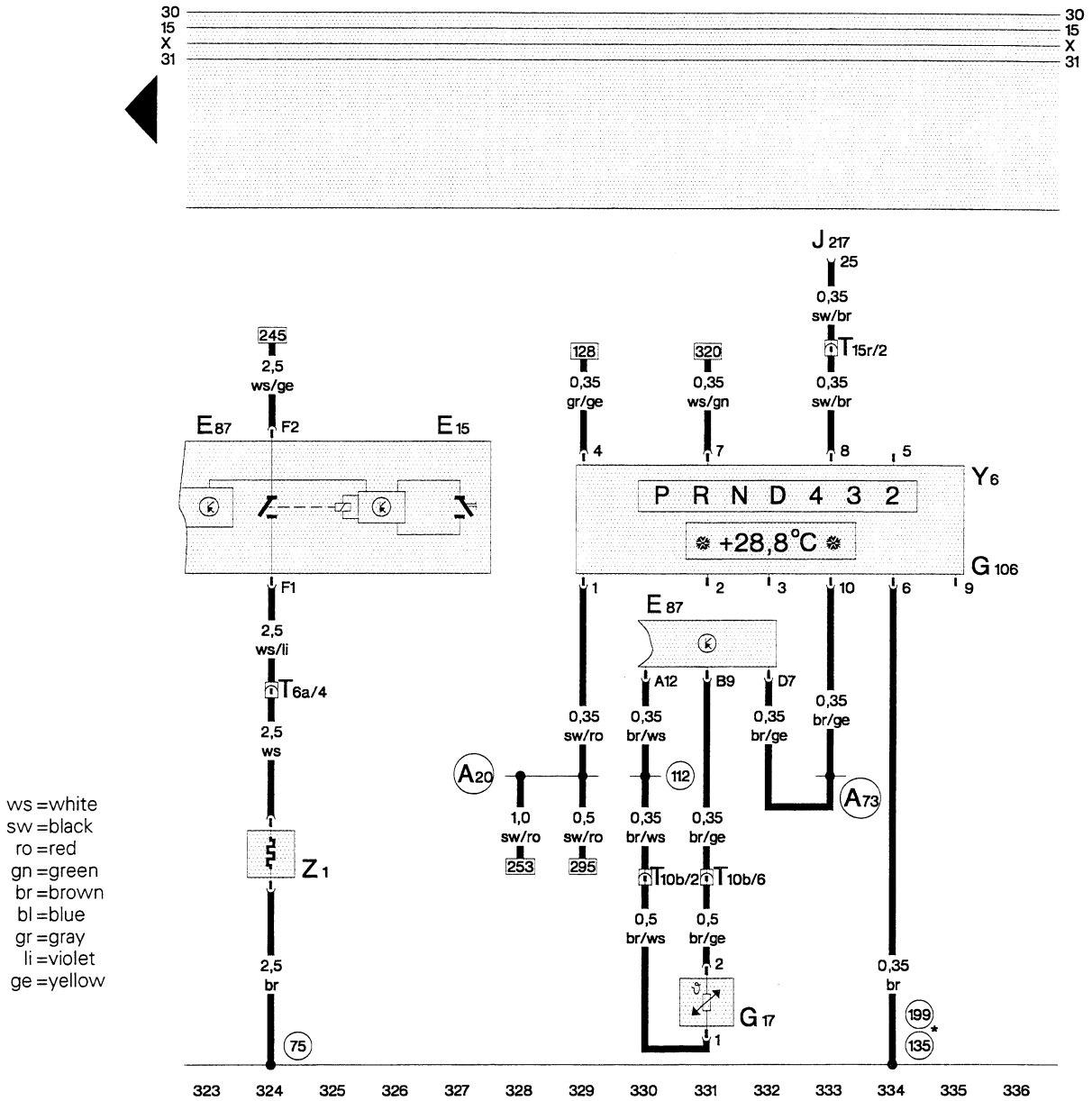




- E 87 - A/C Control Head
- J 429 - Control module for central locking
- S 236 - Fuse
- S 237 - Fuse
- T 8 f - Connector 8 pin, black, connector radio III
- T 15 d - Connector 15 pin, black, connector station A pillar, right
- T 15 t - Connector 15 pin, grey, connector station A pillar, left
- W - Front Interior Light
- W 13 - Right Front Map/Reading Light
- W 19 - Left Front Reading Light

- (135) - Ground connection -2-, in instrument panel wiring harness
- (199) - Ground connection -3-, in instrument panel wiring harness
- (A19) - Wire connection (58s), in instrument panel wiring harness
- (A27) - Wire connection (vehicle speed signal), in instrument panel wiring harness
- (A50) - Plus connection (30as), in instrument panel wiring harness

\* -booth is possible



- E 15 - Rear Window Defogger Switch
- E 87 - A/C Control Head
- G 17 - Outside Air Temperature Sensor
- G 106 - Outside Air Temperature Display
- J 217 - Transmission Control Module (TCM)
- T 6 a - Connector 6 pin, blue, connector station A pillar, left
- T 10 b - Connector 10 pin, red, connector station A pillar, left
- T 15 r - Connector 15 pin, brown, connector station A pillar, right
- Y 6 - Transmission Range (TR) Selector Lever Display
- Z 1 - Heated rear window

- (75) - Ground connection, on right rear pillar
- (112) - Ground connection -2-, in A/C wiring harness
- (135) - Ground connection -2-, in instrument panel wiring harness
- (199) - Ground connection -3-, in instrument panel wiring harness
- (A20) - Wire connection (15a), in instrument panel wiring harness
- (A73) - Connector (outside temperature indicator), in instrument panel wiring harness

\* - booth is possible