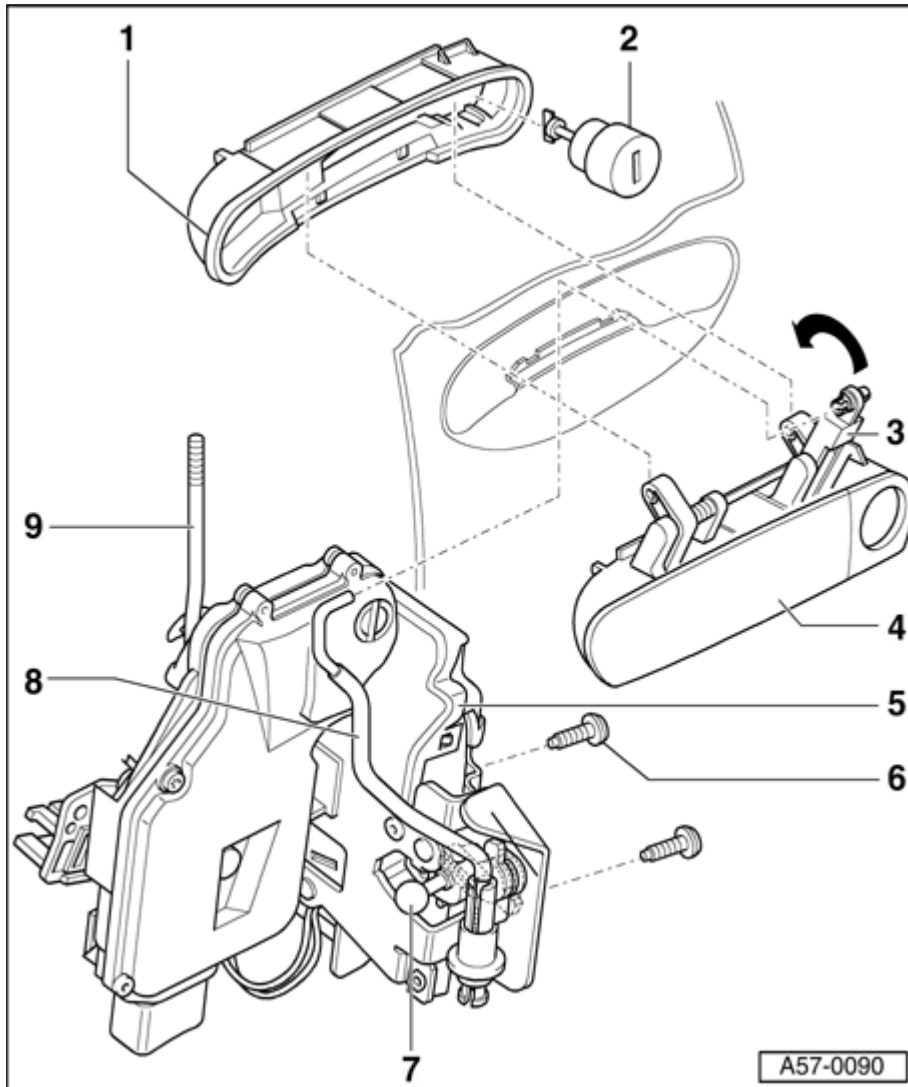


Audi > C5 > 1998-2005
Body Exterior
57 - Front doors

Front door handle and door lock, assembly overview



1 - Door handle mount

◆ Releasing

2 - Lock cylinder

◆ Before removing, remove door handle ⇒ [Door handle, removing](#)

3 - Fulcrum lever

4 - Door handle

◆ Removing [Door handle, removing](#)

5 - Door lock

- Disengage operating rod from fulcrum lever prior to removing door lock.
- To remove, remove socket-head bolts and remove door lock out downward.

6 - Socket-head bolt (M8)

- * 20 Nm (15 ft lb)

7 - Locating pin

- * For securing door lock in "zero" position (only installed on replacement part)
- After installing door lock and installing operating rod , remove locating pin.

8 - Operating rod

9 - Operating rod (door lock)

Copyright © 2006 Audi of America, Inc. and Bentley Publishers. All rights reserved. Last processed: