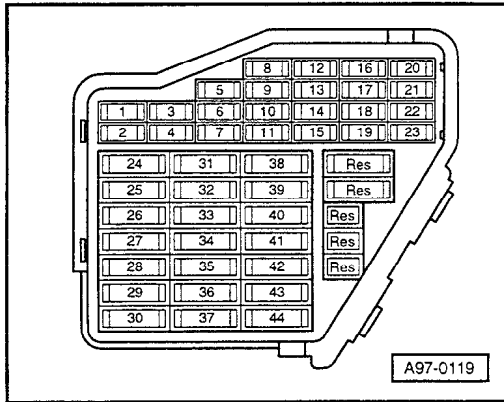


Headlight with High Intensity Gas discharge Lamps and automatic Headlight Beam Adjusting

1999 m. y.

Fuse Panel

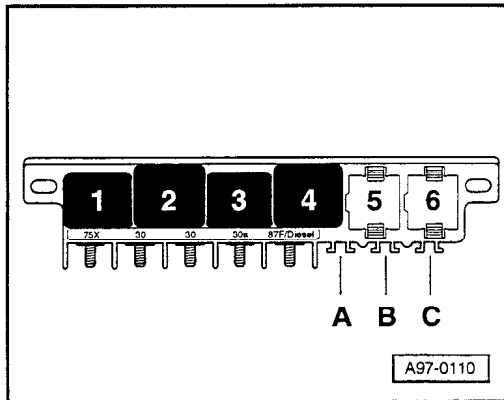


Fuse Colors:

- 30 A - Green
- 25 A - White
- 20 A - Yellow
- 15 A - Blue
- 10 A - Red
- 7,5 A - Brown
- 5 A - Beige

Starting with fuse position 23, fuses in the fuse holder are identified with 223 in the wiring diagram.

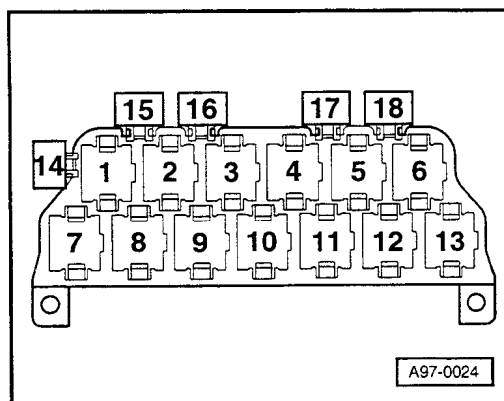
Micro Central Electric Panel



Relay Location:

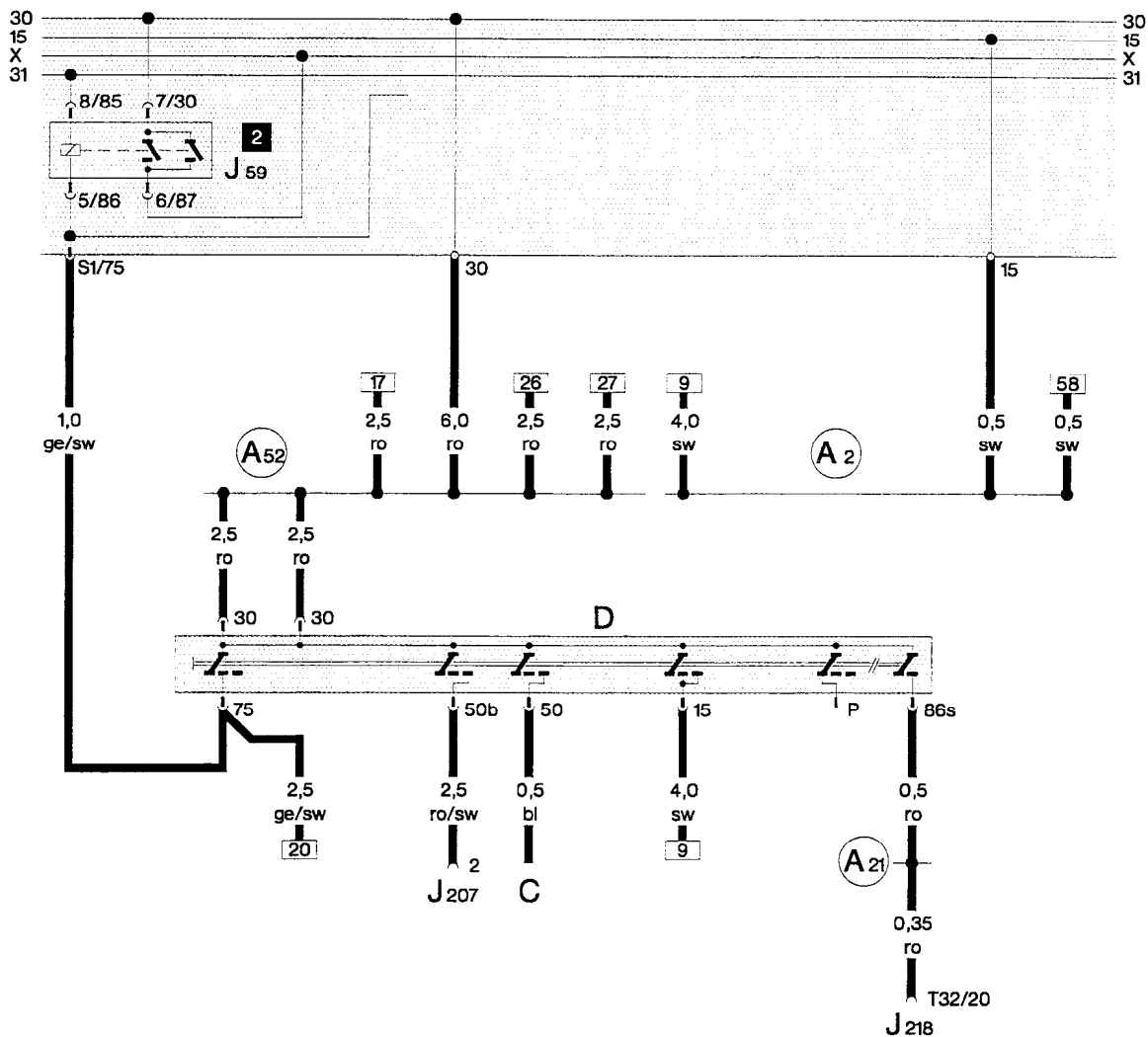
- 2** - Load Reduction Relay, J59

13 - Fold Relay Panel



Relay Location:

- 9** - Lamp Control Module, J123
- 10** - Lamp Control Module, J123



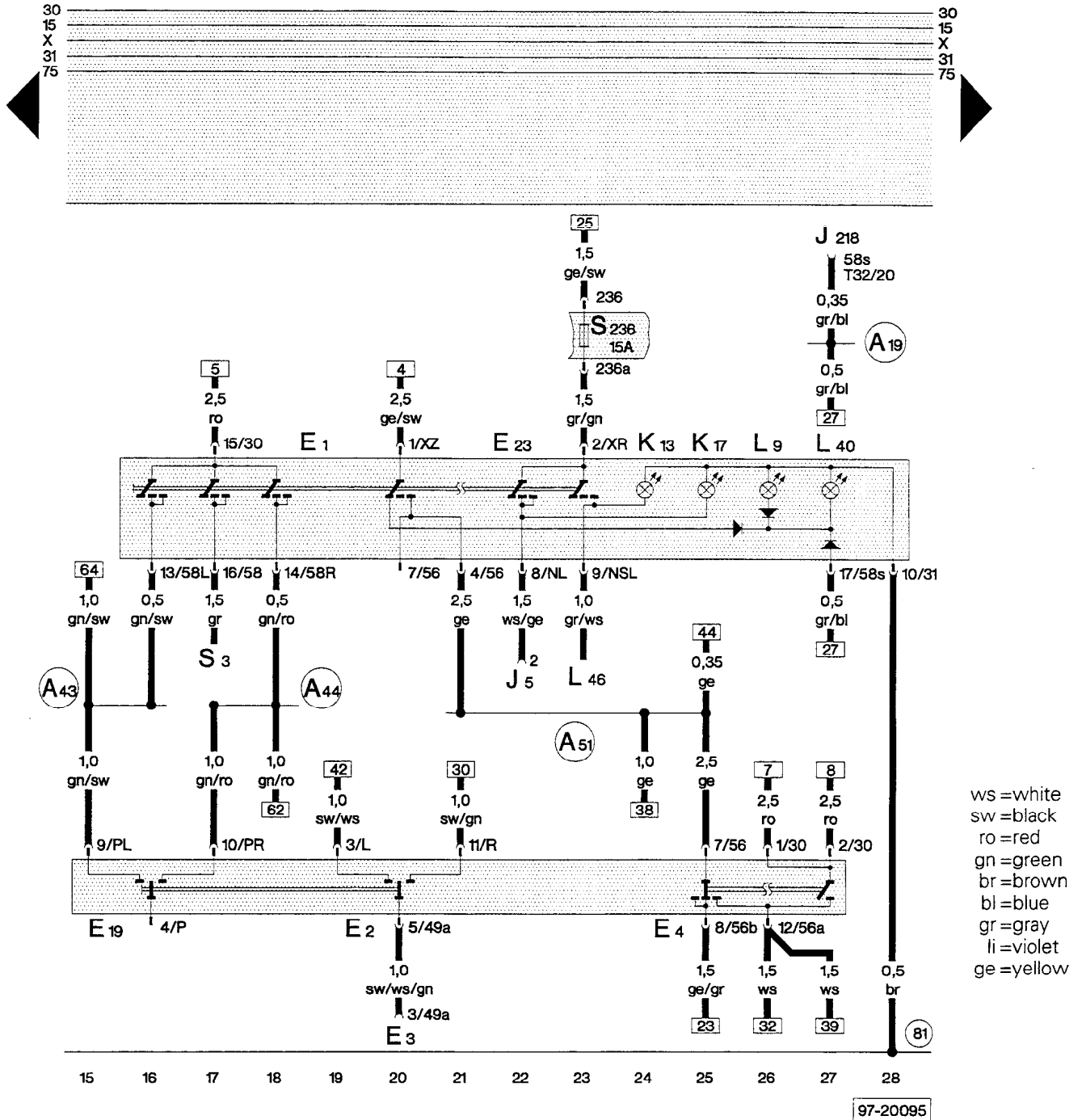
ws =white
 sw =black
 ro =red
 gn =green
 br =brown
 bl =blue
 gr =gray
 li =violet
 ge =yellow

1 2 3 4 5 6 7 8 9 10 11 12 13 14

97-20094

- C - Generator (GEN)
- D - Ignition/Starter Switch
- J 59 - Load Reduction Relay
- J 207 - Starting Interlock Relay
- J 218 - Instrument Cluster Combination Processor
- T 32 - Connector 32 pin, blue, on instrument cluster

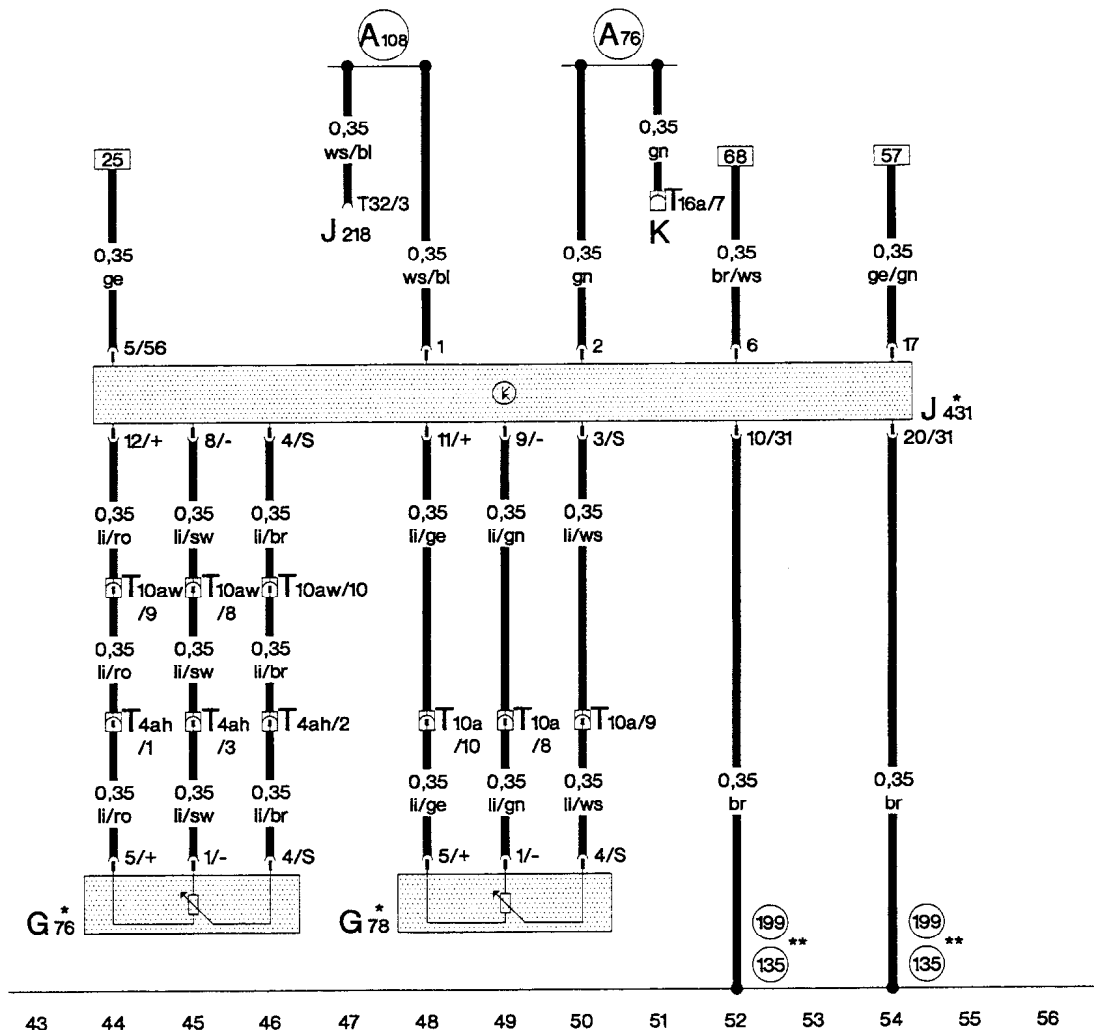
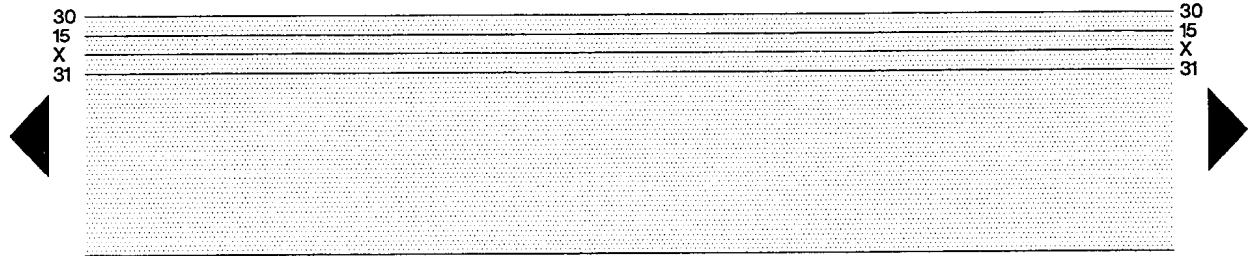
- (A2) - Plus connection (15), in instrument panel wiring harness
- (A21) - Wire connection (86s), in instrument panel wiring harness
- (A52) - Plus connection (30), in instrument panel wiring harness



ws = white
 sw = black
 ro = red
 gn = green
 br = brown
 bl = blue
 gr = gray
 li = violet
 ge = yellow

- E 1 - Light Switch
- E 2 - Turn Signal Switch
- E 3 - Emergency Flasher Switch
- E 4 - Headlight Dimmer/Flasher Switch
- E 19 - Park Light Switch
- E 23 - Fog Light Switch
- J 5 - Fog Light Relay
- J 218 - Instrument Cluster Combination Processor
- K 13 - Rear Fog Light Indicator Light
- K 17 - Fog Light Indicator Light
- L 9 - Headlight Switch Light
- L 40 - Front And Rear Fog Light Switch Light
- L 46 - Left Rear Fog Light
- S 3 - Fuse
- S 236 - Fuse
- T 32 - Connector 32 pin, blue, on instrument cluster

- (81) - Ground connection -1-, in instrument panel wiring harness
- (A19) - Wire connection (58s), in instrument panel wiring harness (Switch illumination)
- (A43) - Wire connection (57l), in instrument panel wiring harness
- (A44) - Wire connection (57r), in instrument panel wiring harness
- (A51) - Wire connection (56), in instrument panel wiring harness



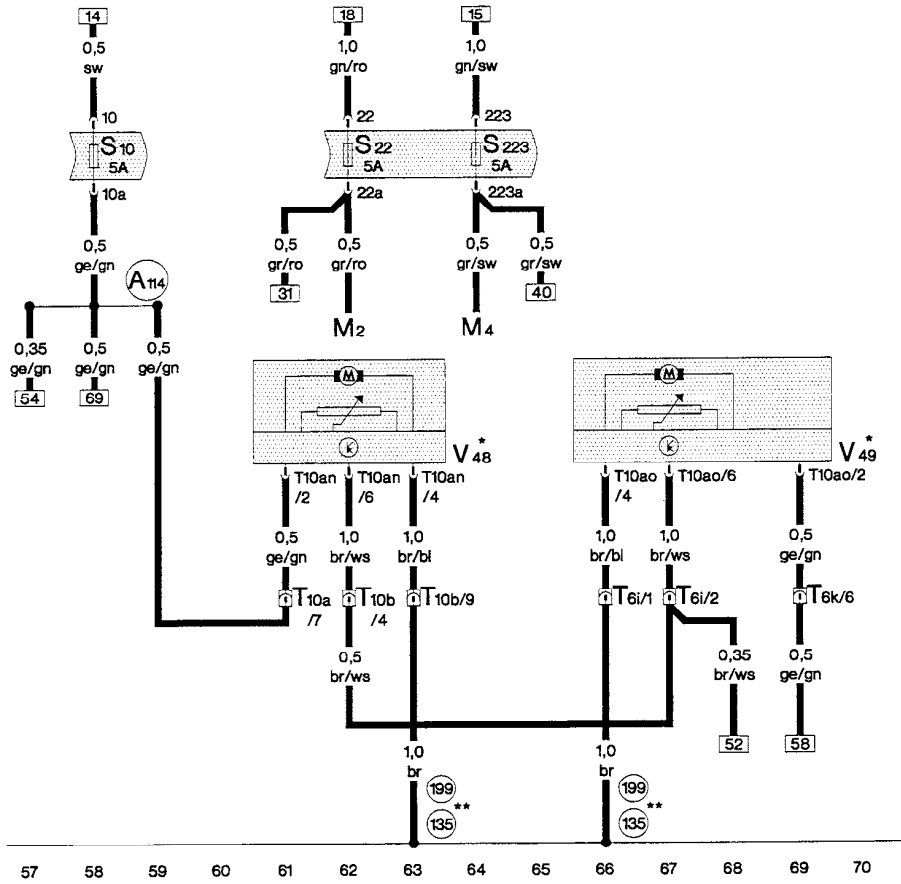
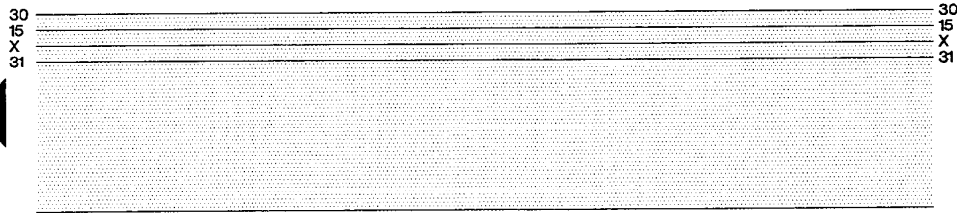
ws = white
 sw = black
 ro = red
 gn = green
 br = brown
 bl = blue
 gr = gray
 li = violet
 ge = yellow

97-20062

- G 76 - Left Rear Level Control System Sensor
- G 78 - Left Front Level Control System Sensor
- J 218 - Instrument Cluster Combination Processor
- J 431 - Control Unit for Beam Adjusting
- K - DLC (Data Link Connector) Rapid Data Transfer
- T 4 ah - Connector 4 pin, black, below rear seat, left
- T 10 a - Connector 10 pin, pink, connector station A pillar, left
- T 10 aw - Connector 10 pin, black, connector station A pillar, right
- T 16 a - Connector 16 pin, data link connector
- T 32 - Connector 32 pin, blue, on instrument cluster

- (135) - Ground connection -2-, in instrument panel wiring harness
- (199) - Ground connection -3-, in instrument panel wiring harness
- (A76) - Connector (K-diagnosis wire), in instrument panel wiring harness
- (A108) - Wire connection (vehicle speed signal), in instrument panel wiring harness

* -Vehicles with automatic beam adjusting
 ** -booth is possible



ws=white
 sw=black
 ro=red
 gn=green
 br=brown
 bl=blue
 gr=gray
 li=violet
 ge=yellow

- M 2 - Right Tail Light
- M 4 - Left Tail Light
- S 10 - Fuse
- S 22 - Fuse
- S 223 - Fuse
- T 6 i - Connector 6 pin, red, connector station A pillar, right
- T 6 k - Connector 6 pin, pink, connector station A pillar, right
- T 10 a - Connector 10 pin, pink, connector station A pillar, left
- T 10 b - Connector 10 pin, red, connector station A pillar, left
- T 10 an - Connector 10 pin, on headlight, left
- T 10 ao - Connector 10 pin, on headlight, right
- V 48 - Left Headlight Beam Adjusting Motor
- V 49 - Right Headlight Beam Adjusting Motor

- (135) - Ground connection -2-, in instrument panel wiring harness
- (199) - Ground connection -3-, in instrument panel wiring harness
- (A114) - Connection (Beam Adjusting), in instrument panel wiring harness

* - Vehicles with automatic beam adjusting
 ** - both is possible