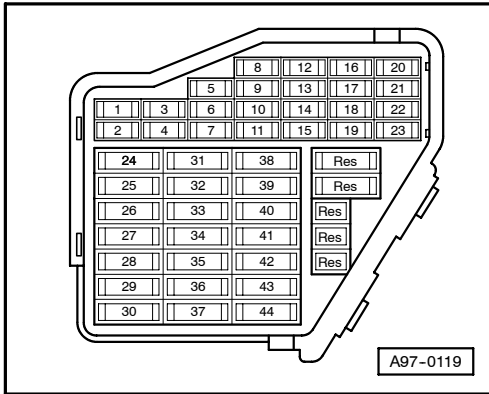


Coolant Fan, 300 W

2001 m. y.

Fuse Panel

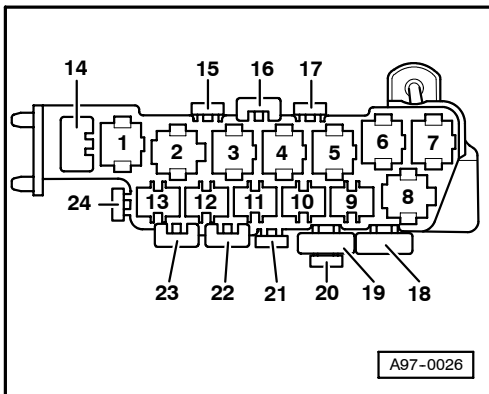


Fuse Colors:

- 30 A - Green
- 25 A - White
- 20 A - Yellow
- 15 A - Blue
- 10 A - Red
- 7,5 A - Brown
- 5 A - Beige

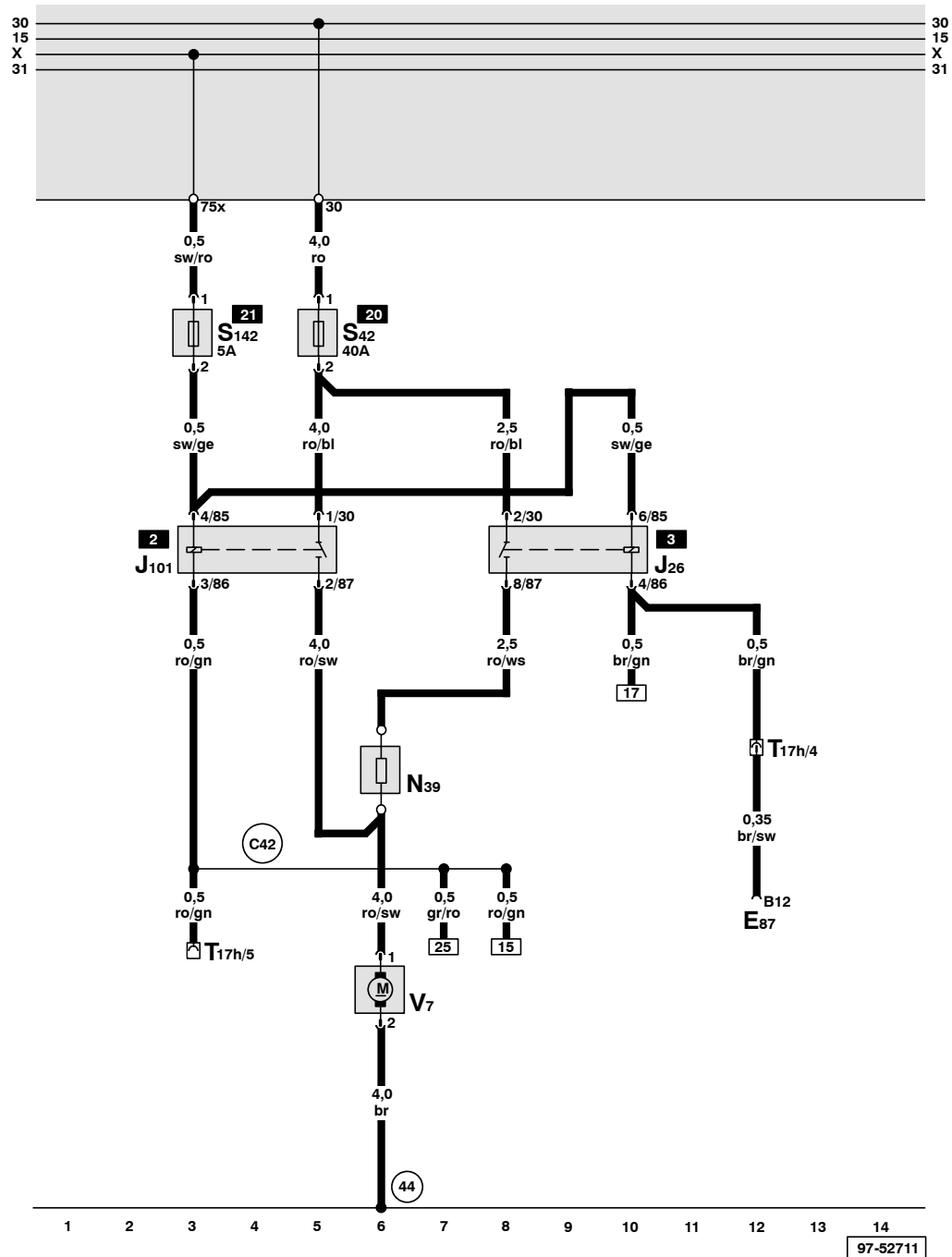
Starting with fuse position 23, fuses in the fuse holder are identified with 223 in the wiring diagram.

8 - Fold Relay Panel



Relay Location:

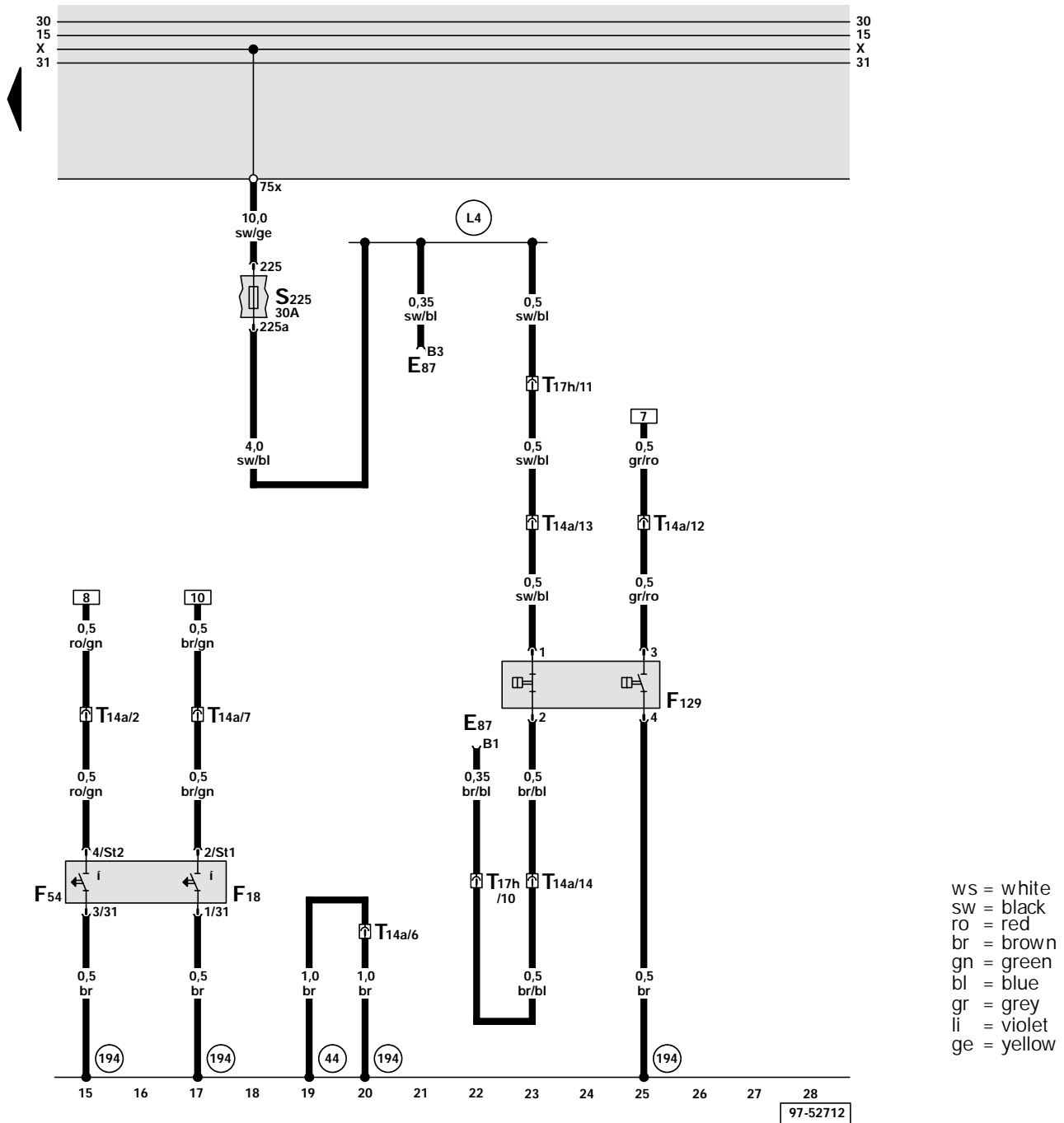
- 2** -Second Speed Coolant Fan Control (FC) Relay, J101
- 3** -Coolant Fan control (FC) Relay, J26
- 20** -Coolant Fan Fuse, S42
- 21** -Control module fuse for coolant fan, S142



ws = white
sw = black
ro = red
br = brown
gn = green
bl = blue
gr = grey
li = violet
ge = yellow

- E87 - A/C Control Head
- J26 - Coolant Fan control (FC) Relay
- J101 - Second Speed Coolant Fan Control (FC) Relay
- N39 - Coolant Fan Control (FC) Series Resistance
- S42 - Coolant Fan Fuse
- S142 - Control module fuse for coolant fan
- T17h - Connector 17 pin, brown, connector station A pillar, left
- V7 - Coolant Fan

- 44 - Ground connection, on left A-pillar, lower part
- C42 - Connector (fan for coolant), in wiring harness coolant



- E87 - A/C Control Head
- F18 - Coolant Fan Control (FC) Thermal Switch
- F54 - Coolant Fan Control (FC) Thermal Switch
- F129 - A/C Pressure Switch
- S225 - Fuse 25 in fuse holder
- T14a - Connector 14 pin, black, in engine compartment, left front
- T17h - Connector 17 pin, brown, connector station A pillar, left

- (44) - Ground connection, on left A-pillar, lower part
- (194) - Ground connection -2-, in coolant fan wiring harness
- (L4) - Wire connection (75a), in A/C wiring harness