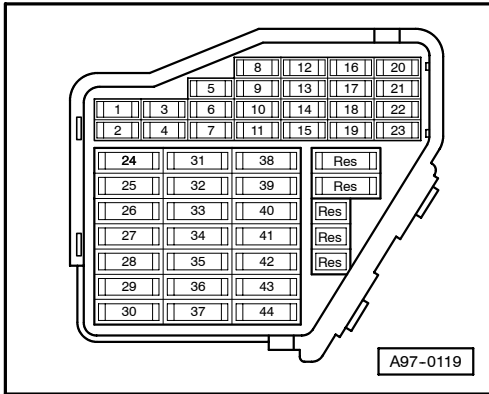


(2,7 l - Injection Engine, 6 Cylinder), Code APB

2001 m. y.

Fuse Panel

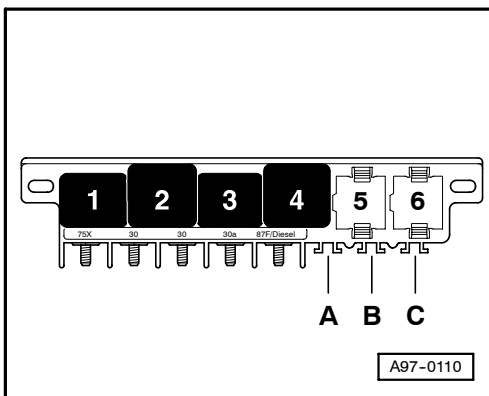


Fuse Colors:

- 30 A - Green
- 25 A - White
- 20 A - Yellow
- 15 A - Blue
- 10 A - Red
- 7,5 A - Brown
- 5 A - Beige

Starting with fuse position 23, fuses in the fuse holder are identified with 223 in the wiring diagram.

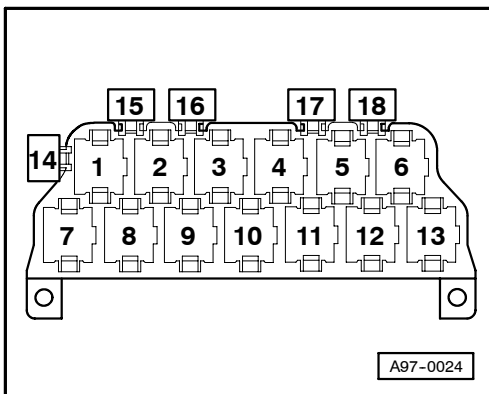
Micro Central Electric Panel



Relay Location:

- 4** -Fuel Pump (FP) Relay , J17

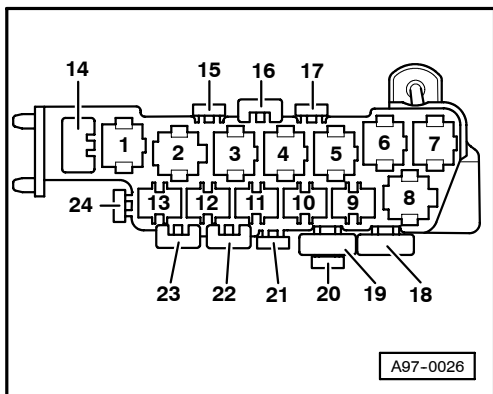
13 - Fold Relay Panel



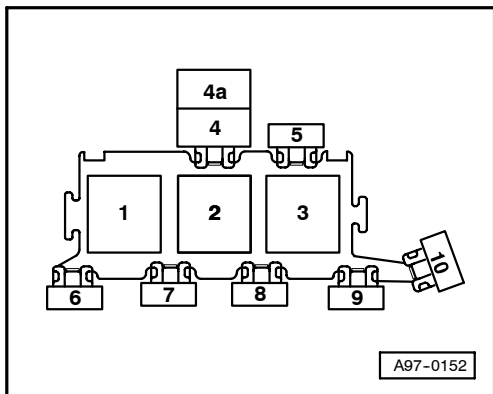
Relay Location:

- 4** -Starting Interlock Relay, J207

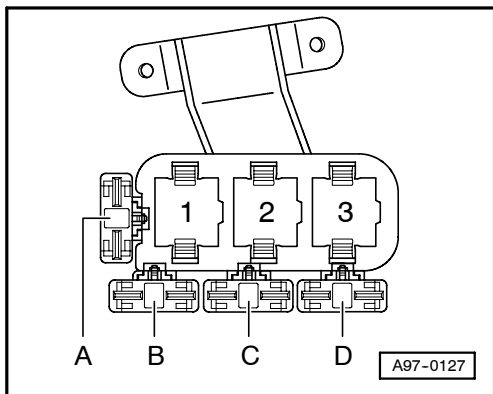
8 - Fold Relay Panel

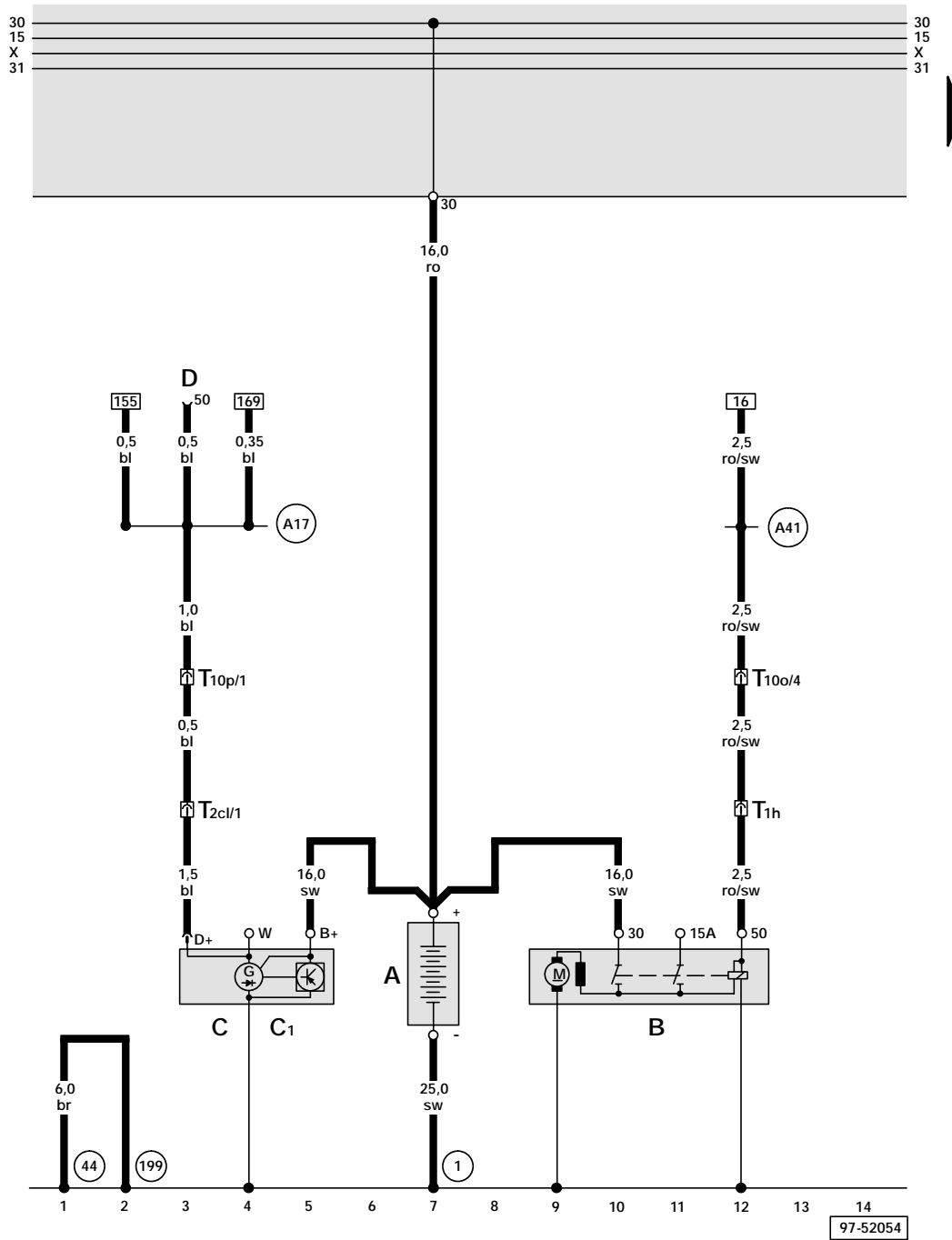


3 - Fold Relay Panel in E-Box plenum chamber



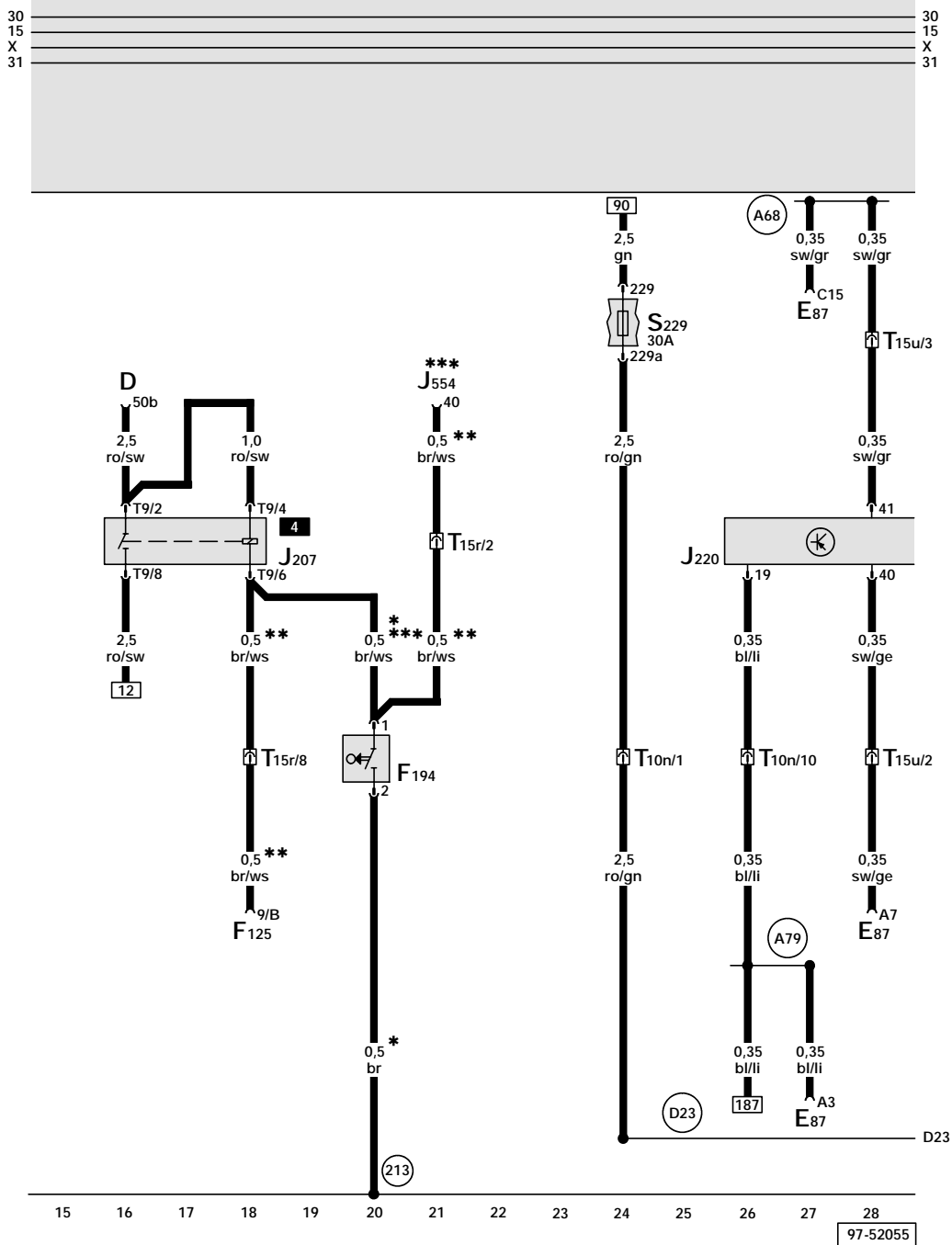
Relay Panel behind Instrument Panel left, on central girder





ws = white  
 sw = black  
 ro = red  
 br = brown  
 gn = green  
 bl = blue  
 gr = grey  
 li = violet  
 ge = yellow

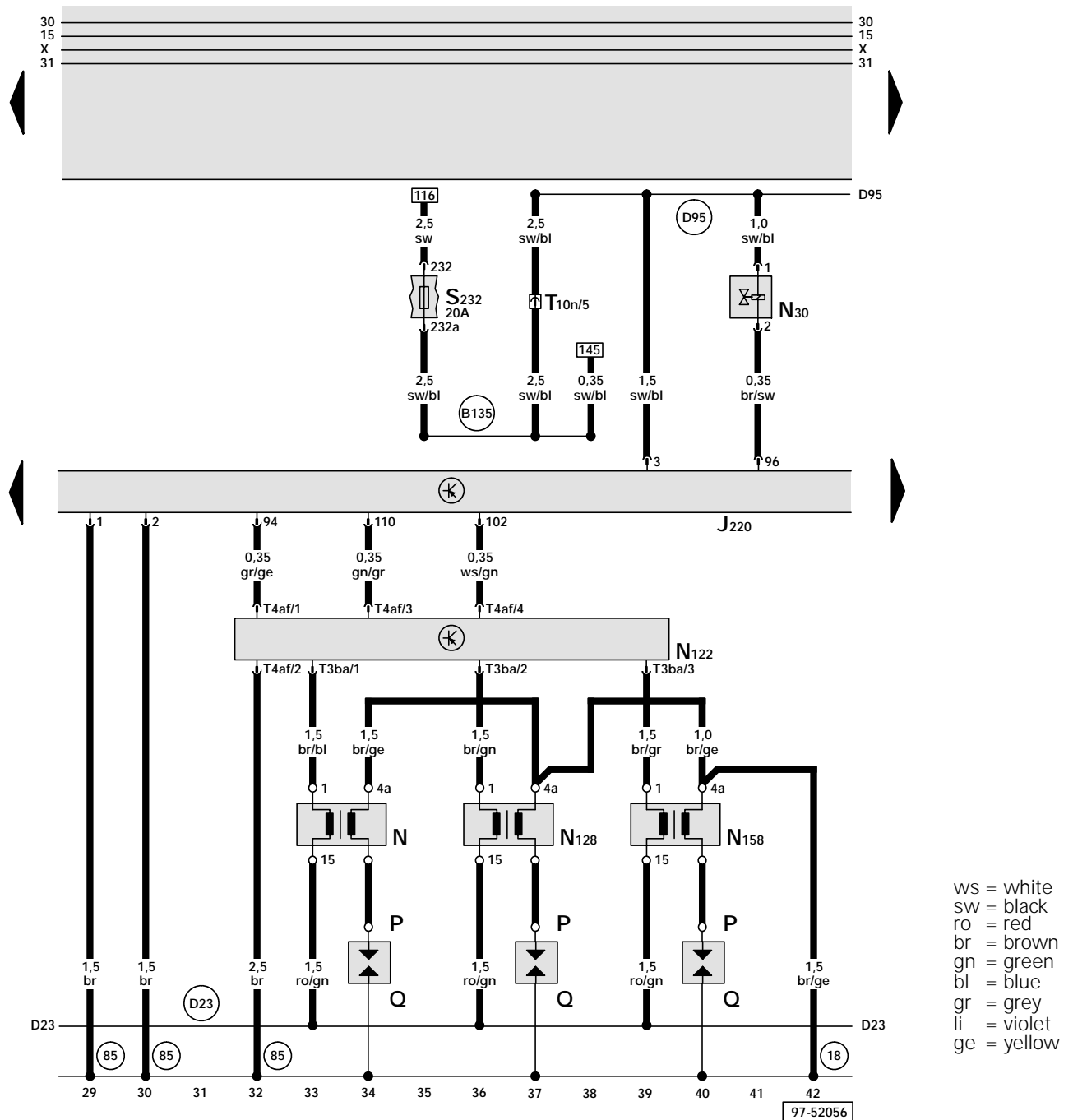
- A - Battery
- B - Starter
- C - Generator (GEN)
- C1 - Voltage Regulator (VR)
- D - Ignition/Starter Switch
- T1h - Single connector, black, in engine compartment, right
- T2cl - Connector 2 pin, black, in engine compartment, right
- T10o - Connector 10 pin, brown, connector station electronic box plenum chamber
- T10p - Connector 10 pin, black, connector station electronic box plenum chamber
- 1 - Ground strap, battery to body
- 44 - Ground connection, on left A-pillar, lower part
- 199 - Ground connection -3-, in instrument panel wiring harness
- A17 - Wire connection (61), in instrument panel wiring harness
- A41 - Plus connection (50), in instrument panel wiring harness



ws = white  
 sw = black  
 ro = red  
 br = brown  
 gn = green  
 bl = blue  
 gr = grey  
 li = violet  
 ge = yellow

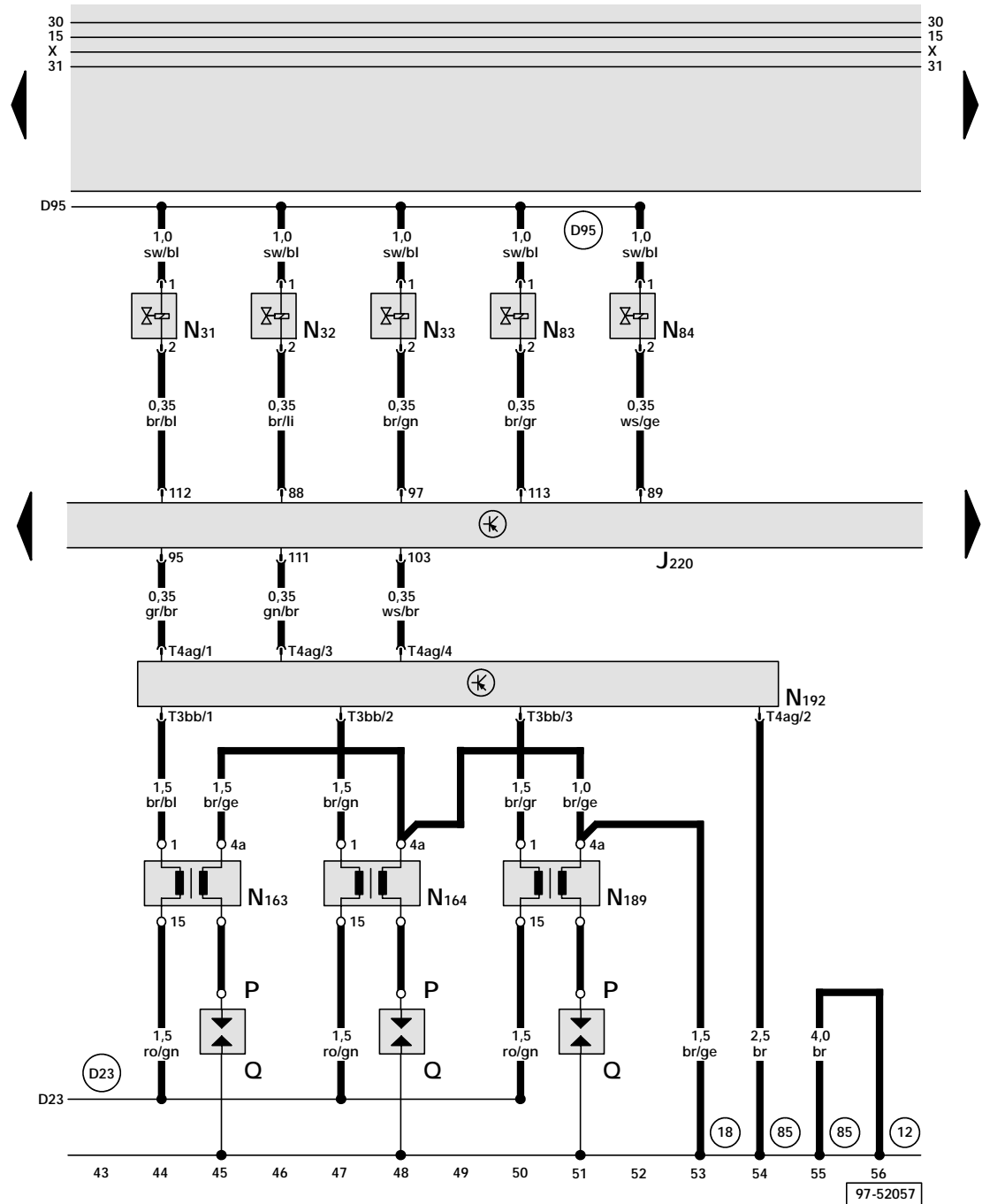
- D - Ignition/Starter Switch
- E87 - A/C Control Head
- F125 - Multi-Function Transmission Range (TR) Switch
- F194 - Clutch Pedal Position (CPP) Switch
- J207 - Starting Interlock Relay
- J220 - Motronic Engine Control Module (ECM)
- J554 - 4-Low Range Control Module
- S229 - Fuse 29 in fuse holder
- T9 - Connector 9 pin, brown, on starting interlock relay
- T10n - Connector 10 pin, orange, connector station electronic box plenum chamber
- T15r - Connector 15 pin, blue, connector station A pillar, right
- T15u - Connector 15 pin, red, connector station electronic box plenum chamber

- (213) - Ground connection, in instrument panel wiring harness
- (A68) - Connector (C15, A/C), in instrument panel wiring harness
- (A79) - Connector (engine overheat warning light), in instrument panel wiring harness
- (D23) - Connector (over fuse 229), in wiring harness front, right
- \* - Vehicles with manually shifted transmission
- \*\* - Vehicles with automatic transmission
- \*\*\* - Vehicles allroad with shifted transmission 01E



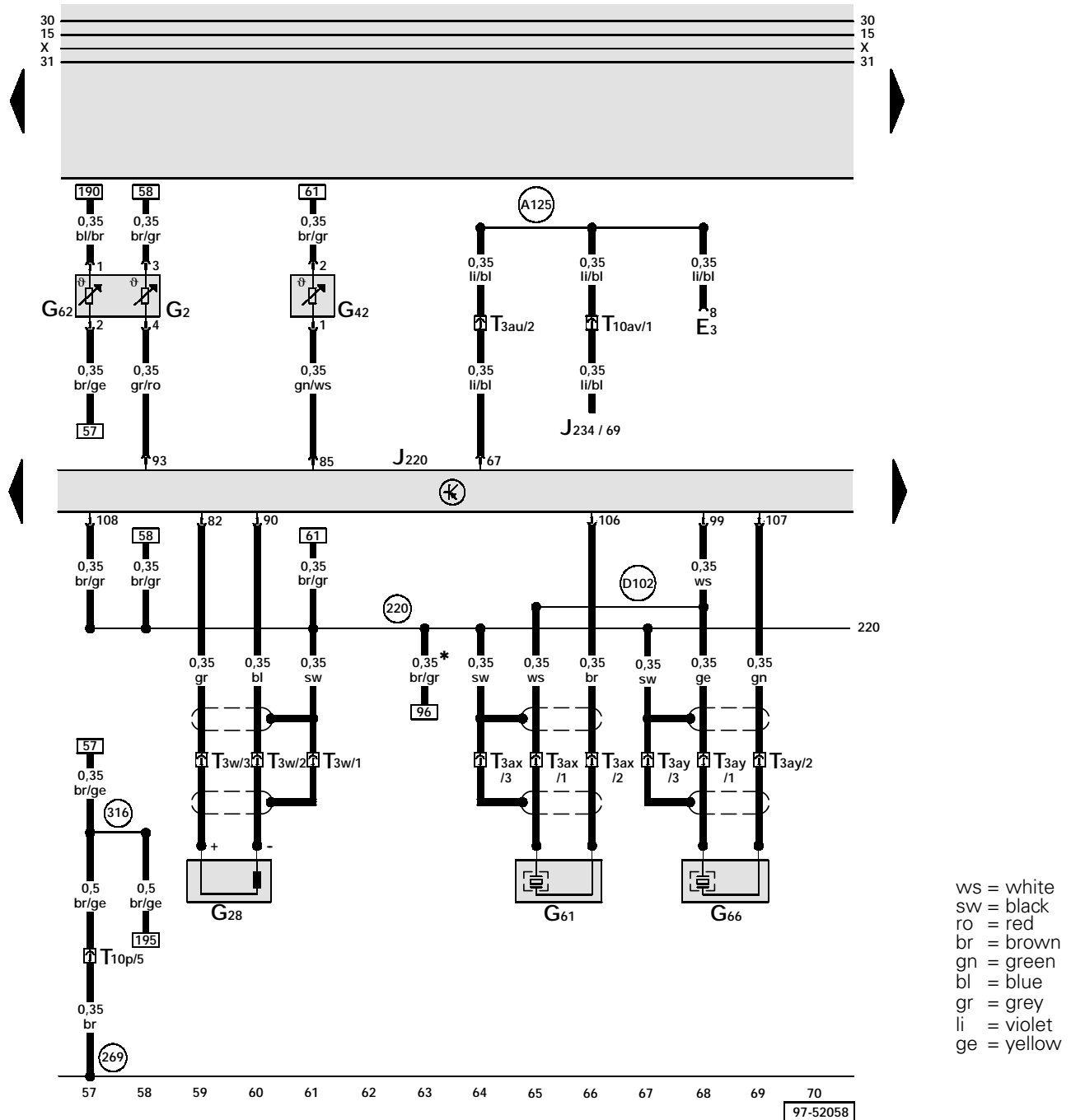
- J220 - Motronic Engine Control Module (ECM)
- N - Ignition Coil
- N30 - Cylinder 1 Fuel Injector
- N122 - Power Output Stage
- N128 - Ignition Coil 2
- N158 - Ignition Coil 3
- P - Spark Plug Connectors
- Q - Spark Plugs
- S232 - Fuse 32 in fuse holder
- T3ba - Connector 3 pin, black, on Power Output Stage 1
- T4af - Connector 4 pin, black, on Power Output Stage 1
- T10n - Connector 10 pin, orange, connector station electronic box plenum chamber

- (18) - Ground connection, on engine block
- (85) - Ground connection -1-, in engine compartment wiring harness
- (B135) - Connector (15a), in wiring harness interior
- (D23) - Connector (over fuse 229), in wiring harness front, right
- (D95) - Wire connection (injectors), in engine compartment wiring harness



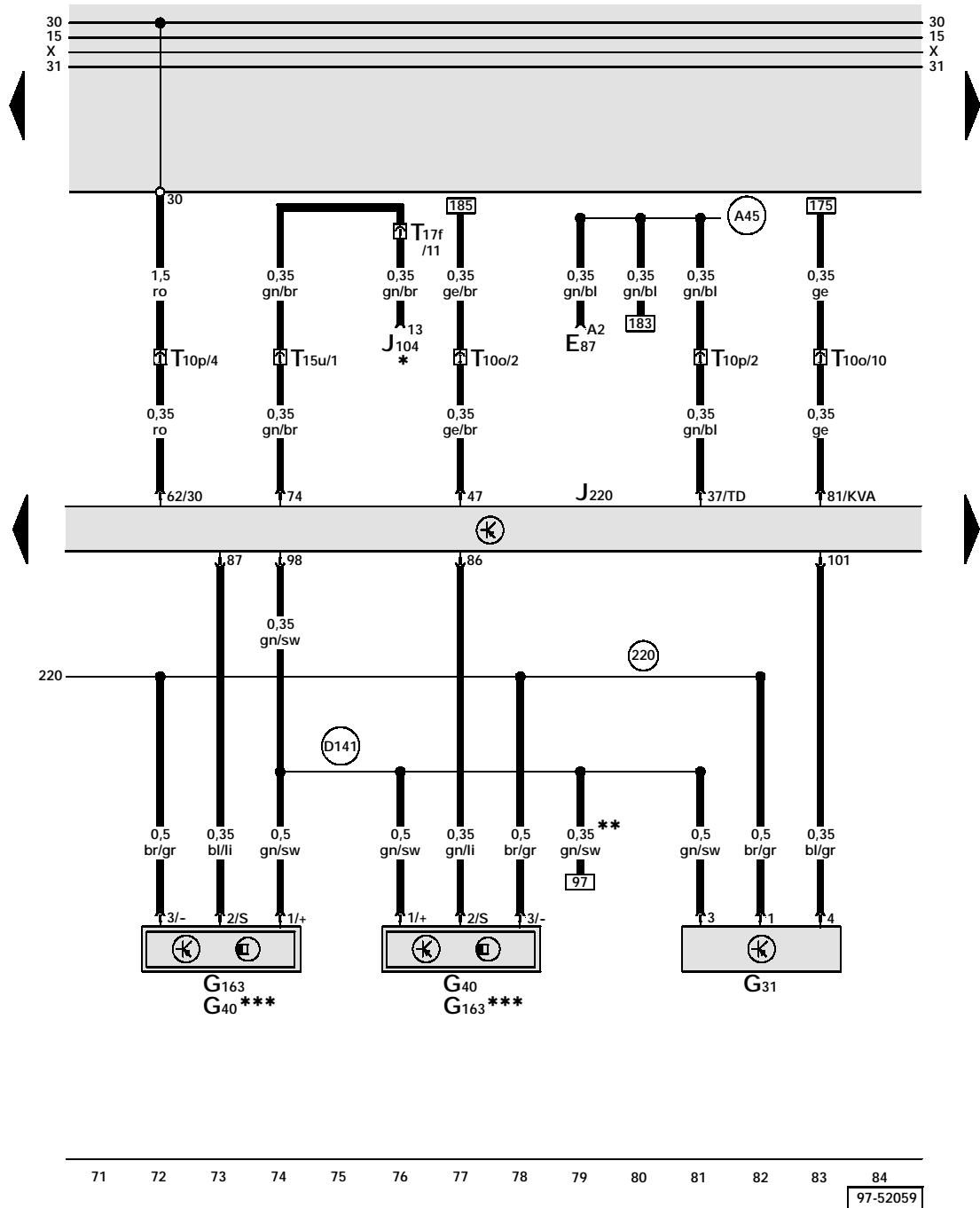
- J220 - Motronic Engine Control Module (ECM)
- N31 - Cylinder 2 Fuel Injector
- N32 - Cylinder 3 Fuel Injector
- N33 - Cylinder 4 Fuel Injector
- N83 - Cylinder 5 Fuel Injector
- N84 - Cylinder 6 Fuel Injector
- N163 - Ignition Coil 4
- N164 - Ignition Coil 5
- N189 - Ignition Coil 6
- N192 - Power Output Stage 2
- P - Spark Plug Connectors
- Q - Spark Plugs
- T3bb - Connector 3 pin, brown, on Power Output Stage 2
- T4ag - Connector 4 pin, brown, on Power Output Stage 2

- (12) - Ground connection, in engine compartment, left
- (18) - Ground connection, on engine block
- (85) - Ground connection -1-, in engine compartment wiring harness
- (D23) - Connector (over fuse 229), in wiring harness front, right
- (D95) - Wire connection (injectors), in engine compartment wiring harness



- E3 - Emergency Flasher Switch
- G2 - Engine Coolant Temperature (ECT) Sensor
- G28 - Engine Speed (RPM) Sensor
- G42 - Intake Air Temperature (IAT) Sensor
- G61 - Knock Sensor (KS) 1
- G62 - Engine Coolant Temperature (ECT) Sensor
- G66 - Knock Sensor (KS) 2
- J220 - Motronic Engine Control Module (ECM)
- J234 - Airbag Control Module
- T3w - Connector 3 pin, grey, on engine speed sensor
- T3au - Connector 3 pin, red, connector station electronic box plenum chamber
- T3ax - Connector 3 pin, brown, on knock sensor 1
- T3ay - Connector 3 pin, brown, on knock sensor 2
- T10p - Connector 10 pin, black, connector station electronic box plenum chamber
- T10av - Connector 10 pin, yellow, connector station A pillar, right

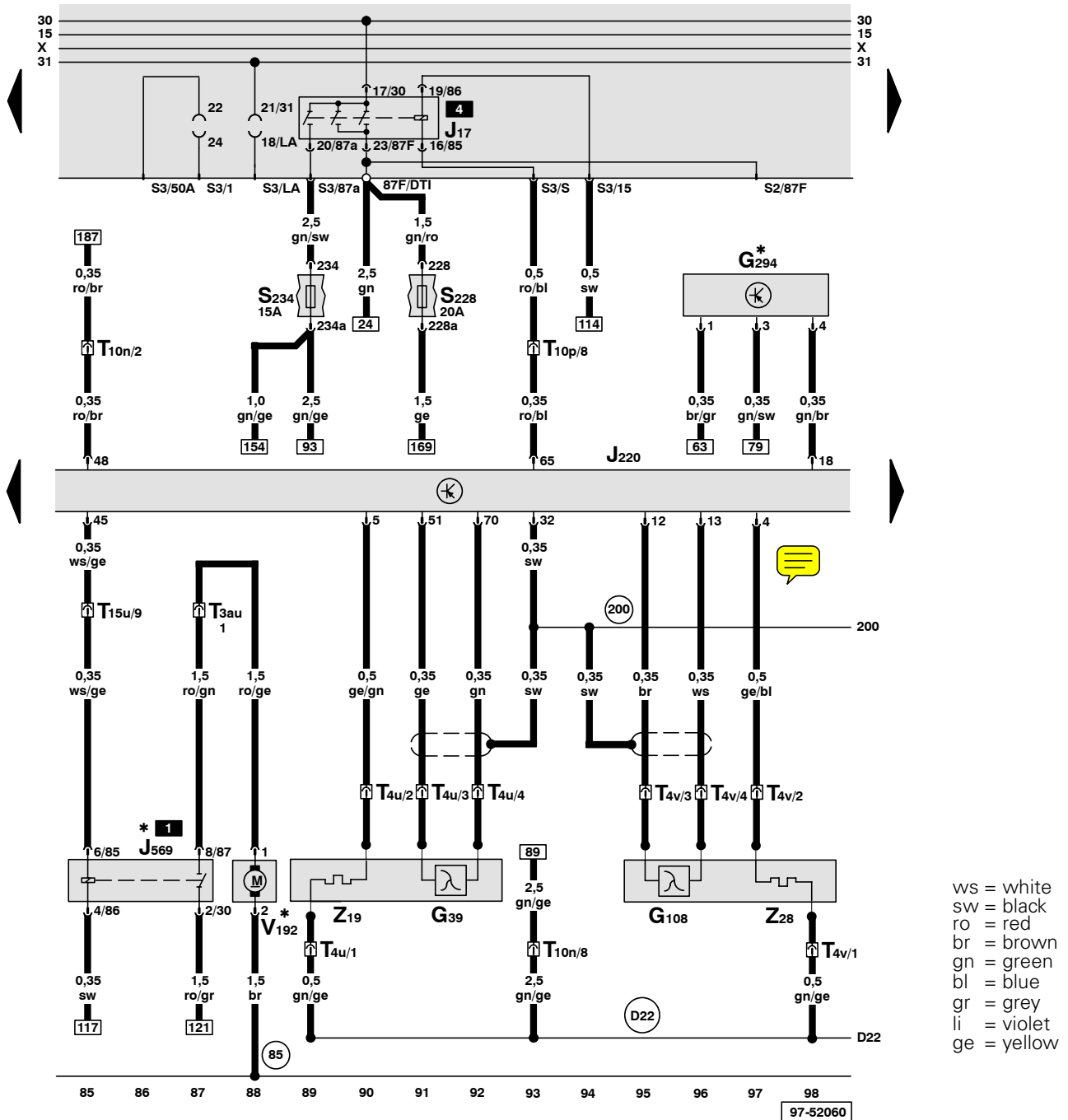
- (220) - Ground connection (sensor ground), in engine compartment wiring harness
- (269) - Ground connector (sensor ground) -1-, in instrument panel wiring harness
- (316) - Sensor Ground Connection 2 (in engine wiring harness)
- A125 - Connection (crash signal) in instrument panel wiring harness
- D102 - Wire connection -2-, in engine compartment wiring harness
- \* - only Vehicles with automatic transmission



ws = white  
 sw = black  
 ro = red  
 br = brown  
 gn = green  
 bl = blue  
 gr = grey  
 li = violet  
 ge = yellow

- E87 - A/C Control Head
- G31 - Charge Air Pressure Sensor
- G40 - Camshaft Position (CMP) Sensor
- G163 - Camshaft Position (CMP) Sensor 2
- J104 - ABS Control Module (w/EDL)
- J220 - Motronic Engine Control Module (ECM)
- T10o - Connector 10 pin, brown, connector station electronic box plenum chamber
- T10p - Connector 10 pin, black, connector station electronic box plenum chamber
- T15u - Connector 15 pin, red, connector station electronic box plenum chamber
- T17f - Connector 17 pin, black, in 8-Fold Relay Panel behind the storage driver's side
- (220) - Ground connection (sensor ground), in engine compartment wiring harness
- (A45) - Wire connection (RPM-signal), in instrument panel wiring harness
- (D141) - Connector (5V), in wiring harness, engine pre-wiring
- \* - Vehicles with ABS 5.3
- \*\* - only Vehicles with automatic transmission
- \*\*\* - Running production change (confirm applicable pin assignments at -J220-)

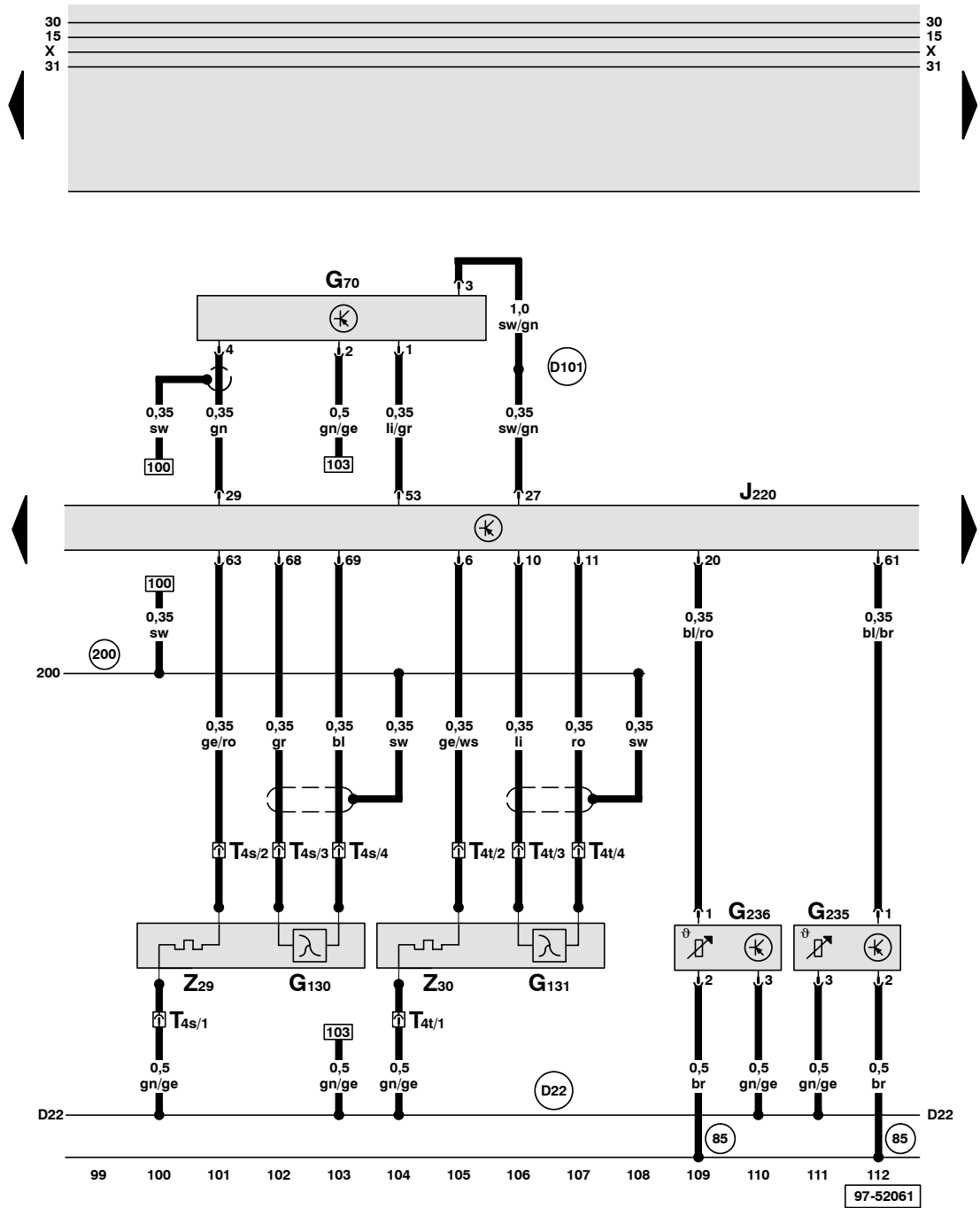




- G39 - Heated Oxygen Sensor (HO2S) 2
- G108 - Heated Oxygen Sensor (HO2S) 2
- G294 - Brake Booster Pressure Sensor
- J17 - Fuel Pump (FP) Relay
- J220 - Motronic Engine Control Module (ECM)
- J569 - Brake booster relay
- S228 - Fuse 28 in fuse holder
- S234 - Fuse 34 in fuse holder
- T3au - Connector 3 pin, red, connector station electronic box plenum chamber
- T4u - Connector 4 pin, black, heated oxygen sensor
- T4v - Connector 4 pin, black, heated oxygen sensor 2
- T10n - Connector 10 pin, orange, connector station electronic box plenum chamber
- T10p - Connector 10 pin, black, connector station electronic box plenum chamber
- T15u - Connector 15 pin, red, connector station electronic box plenum chamber
- V192 - Brake Vacuum Pump
- Z19 - Oxygen Sensor (O2S) Heater
- Z28 - Oxygen Sensor (O2S) 2 Heater

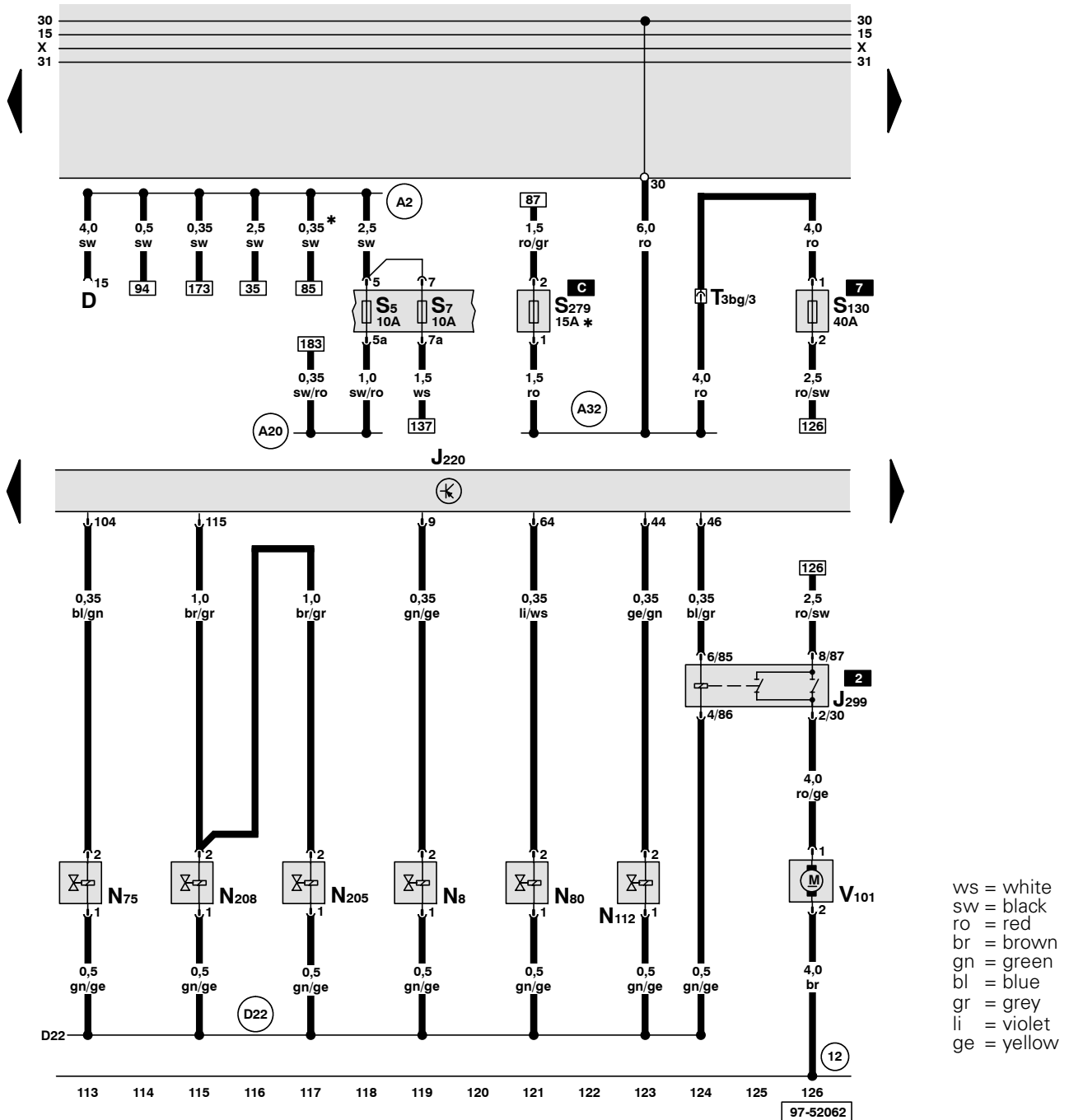
- (85) - Ground connection -1-, in engine compartment wiring harness
- (200) - Ground connection (shielding), in engine compartment wiring harness
- (D22) - Connector (over fuse 234), in wiring harness front, right

\* - only Vehicles with automatic transmission



ws = white  
 sw = black  
 ro = red  
 br = brown  
 gn = green  
 bl = blue  
 gr = grey  
 li = violet  
 ge = yellow

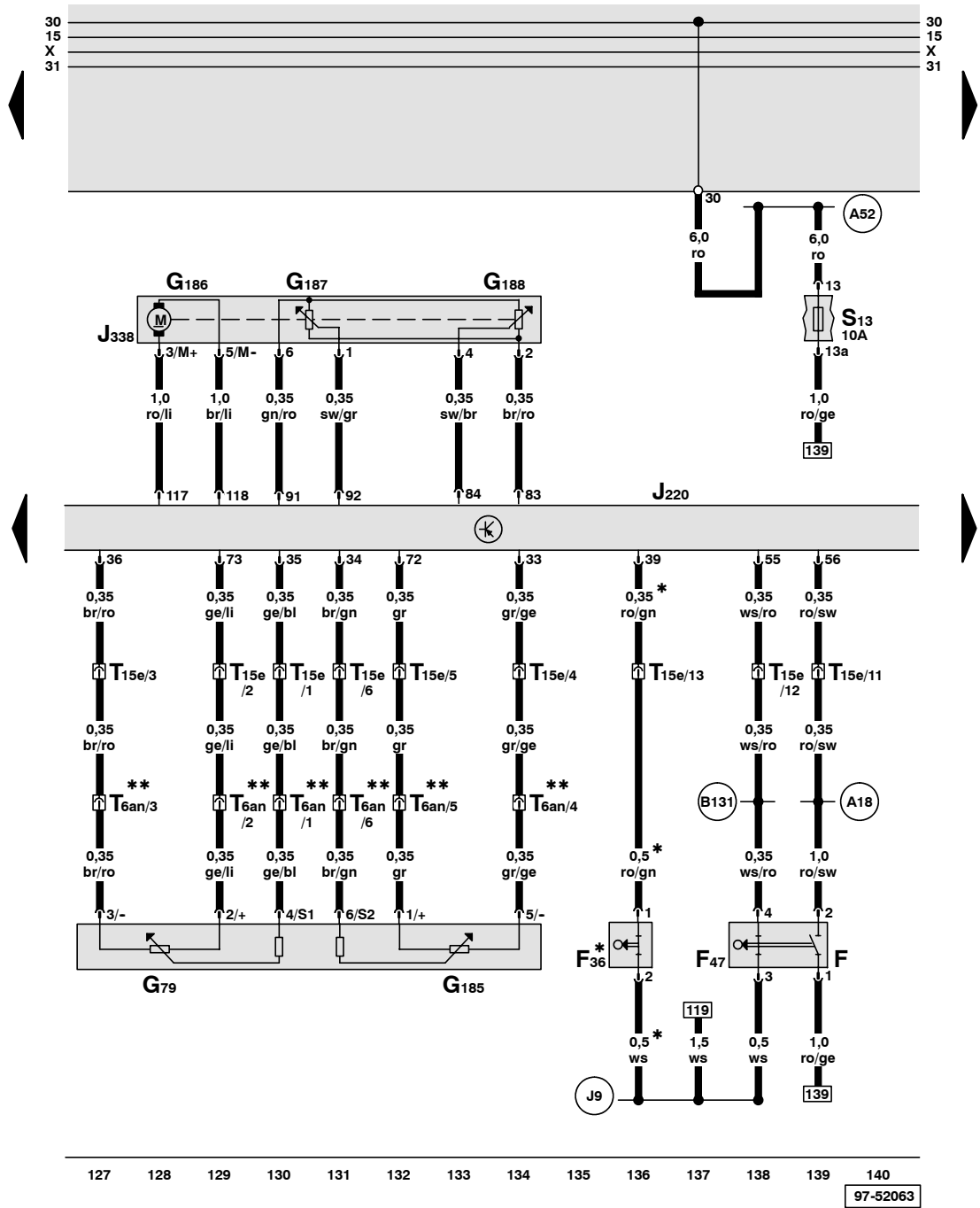
- G70 - Mass Air Flow (MAF) Sensor
- G130 - Heated Oxygen Sensor (O2S) Behind Three Way Catalytic Converter (TWC)
- G131 - Heated Oxygen Sensor (O2S) 2 Behind Three Way Catalytic Converter (TWC)
- G235 - Sensor -1- for exhaust temperature
- G236 - Sensor -2- for exhaust temperature
- J220 - Motronic Engine Control Module (ECM)
- T4s - Connector 4 pin, green, near oxygen sensor, behind Three Way Catalytic Converter (TWC)
- T4t - Connector 4 pin, brown, near oxygen sensor 2, behind Three Way Catalytic Converter (TWC)
- Z29 - Oxygen Sensor (O2S) Heater
- Z30 - Oxygen Sensor (O2S) 2 Heater
- (85) - Ground connection -1-, in engine compartment wiring harness
- (200) - Ground connection (shielding), in engine compartment wiring harness
- (D22) - Connector (over fuse 234), in wiring harness front, right
- (D101) - Wire connection -1-, in engine compartment wiring harness



ws = white  
 sw = black  
 ro = red  
 br = brown  
 gn = green  
 bl = blue  
 gr = grey  
 li = violet  
 ge = yellow

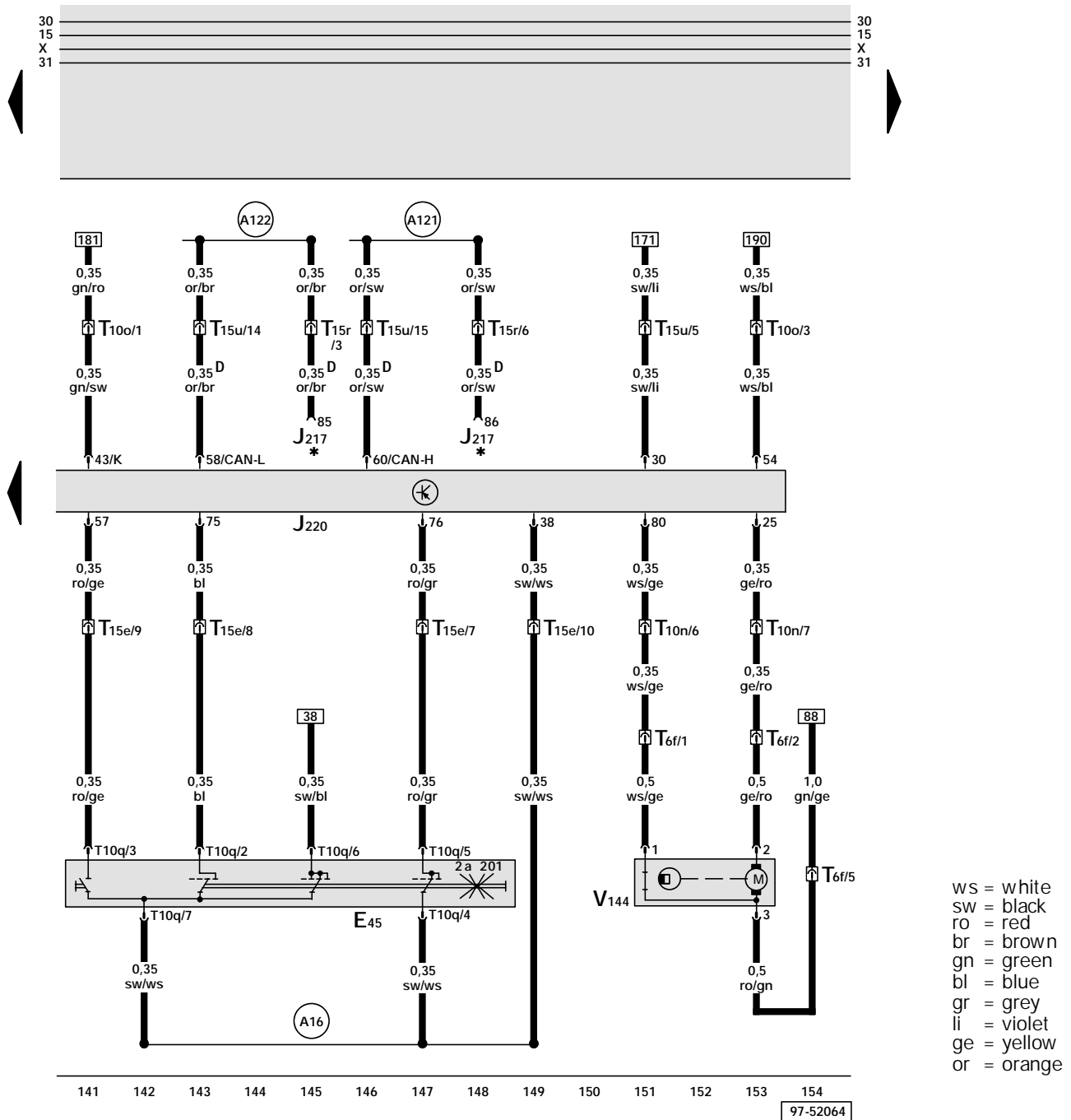
- D - Ignition/Starter Switch
- J220 - Motronic Engine Control Module (ECM)
- J299 - Secondary Air Injection (AIR) Pump Relay
- N8 - Central Idle, Idle Air Control (IAC) Cut-Off Valve
- N75 - Wastegate Bypass Regulator Valve
- N80 - Evaporative Emission (EVAP) Canister Purge Regulator Valve
- N112 - Secondary Air Injection (AIR) Solenoid Valve
- N205 - Valve -1- for camshaft adjustment
- N208 - Valve -2- for camshaft adjustment
- S5 - Fuse
- S7 - Fuse
- S130 - Fuse for secondary air pump
- S279 - Fuse for Hydraulic Pump Relay
- T3bg - Connector 3 pin, white, connector station electronic box plenum chamber
- V101 - Secondary Air Injection (AIR) Pump Motor

- (12) - Ground connection, in engine compartment, left
- (A2) - Plus connection (15), in instrument panel wiring harness
- (A20) - Wire connection (15a), in instrument panel wiring harness
- (A32) - Plus connection (30), in instrument panel wiring harness
- (D22) - Connector (over fuse 234), in wiring harness front, right
- \* - only Vehicles with automatic transmission



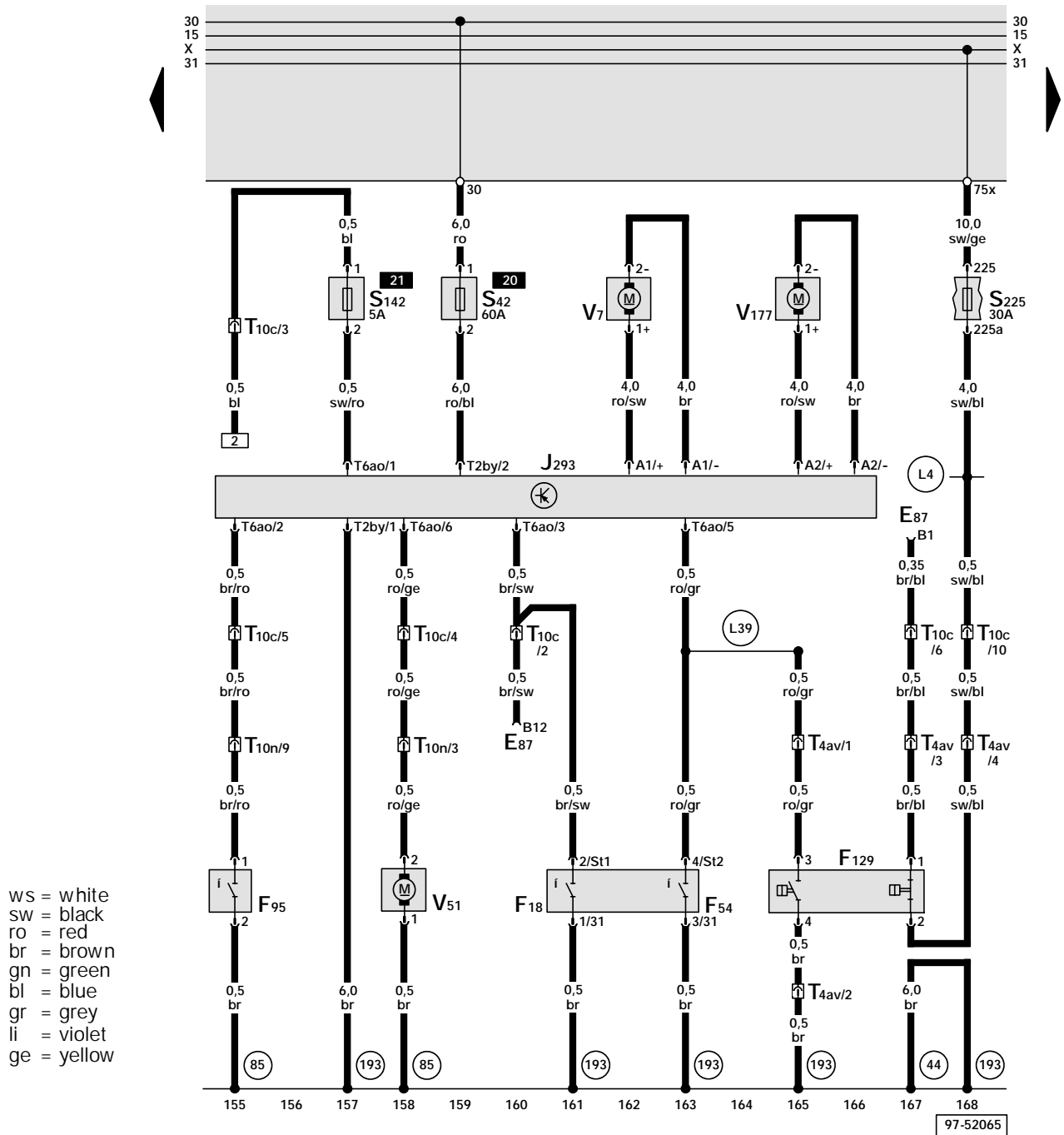
ws = white  
 sw = black  
 ro = red  
 br = brown  
 gn = green  
 bl = blue  
 gr = grey  
 li = violet  
 ge = yellow

- F - Brake Light Switch
- F36 - Clutch Vacuum Vent Valve Switch
- F47 - Vacuum Vent Valve, Brake
- G79 - Throttle Position (TP) Sensor
- G185 - Sensor -2- for accelerator pedal position
- G186 - Throttle drive (power accelerator actuation)
- G187 - Angle sensor -1- for throttle drive (power accelerator actuation)
- G188 - Angle sensor -2- for throttle drive (power accelerator actuation)
- J220 - Motronic Engine Control Module (ECM)
- J338 - Throttle Valve Control Module
- S13 - Fuse
- T6an - Connector 6 pin, in front footwell, left
- T15e - Connector 15 pin, white, connector station electronic box plenum chamber
- (A18) - Wire connection (54), in instrument panel wiring harness
- (A52) - Plus connection -2- (30), in instrument panel wiring harness
- (B131) - Connector (54), in wiring harness interior
- (J9) - Wire connection -1- (15a), in ABS wiring harness
- \* - Vehicles with manually shifted transmission
- \*\* - Throttle Position (TP) Sensor without adapter wire (running production change)



- E45 - Cruise Control Switch
- J217 - Transmission Control Module (TCM)
- J220 - Motronic Engine Control Module (ECM)
- T6f - Connector 6 pin, darkbrown, connector station A pillar, right
- T10n - Connector 10 pin, orange, connector station electronic box plenum chamber
- T10o - Connector 10 pin, brown, connector station electronic box plenum chamber
- T10q - Connector 10 pin, black, on cruise control switch
- T15e - Connector 15 pin, white, connector station electronic box plenum chamber
- T15r - Connector 15 pin, blue, connector station A pillar, right
- T15u - Connector 15 pin, red, connector station electronic box plenum chamber
- V144 - Leak Detection Pump (LDP)

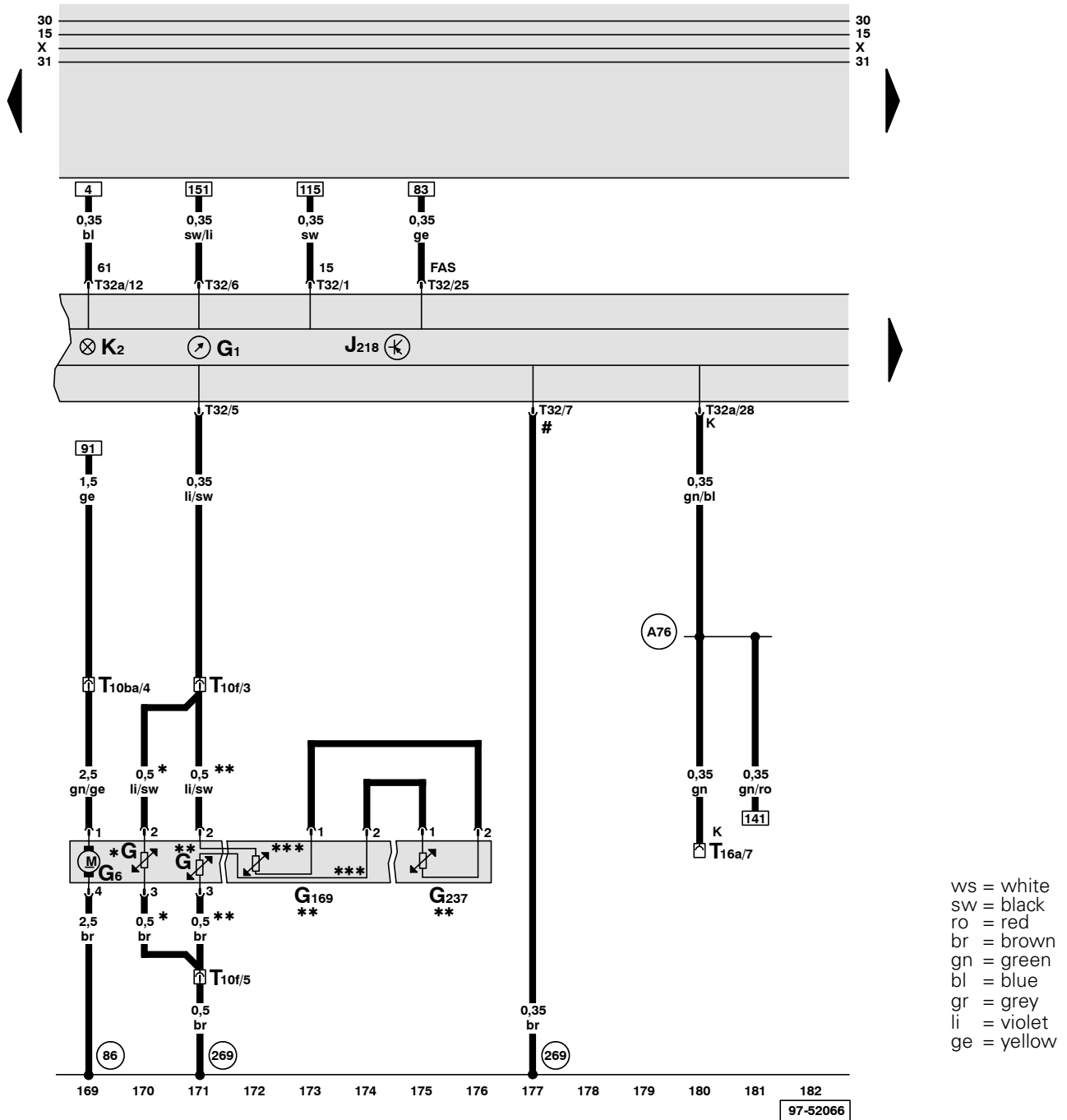
- (A16) - Wire connection (cruise control), in instrument panel wiring harness
- (A121) - Connection (high bus) in instrument panel wiring harness
- (A122) - Connection (low bus) in instrument panel wiring harness
- D - CAN-Bus (Data-Bus)
- \* - Vehicles with automatic transmission



ws = white  
 sw = black  
 ro = red  
 br = brown  
 gn = green  
 bl = blue  
 gr = grey  
 li = violet  
 ge = yellow

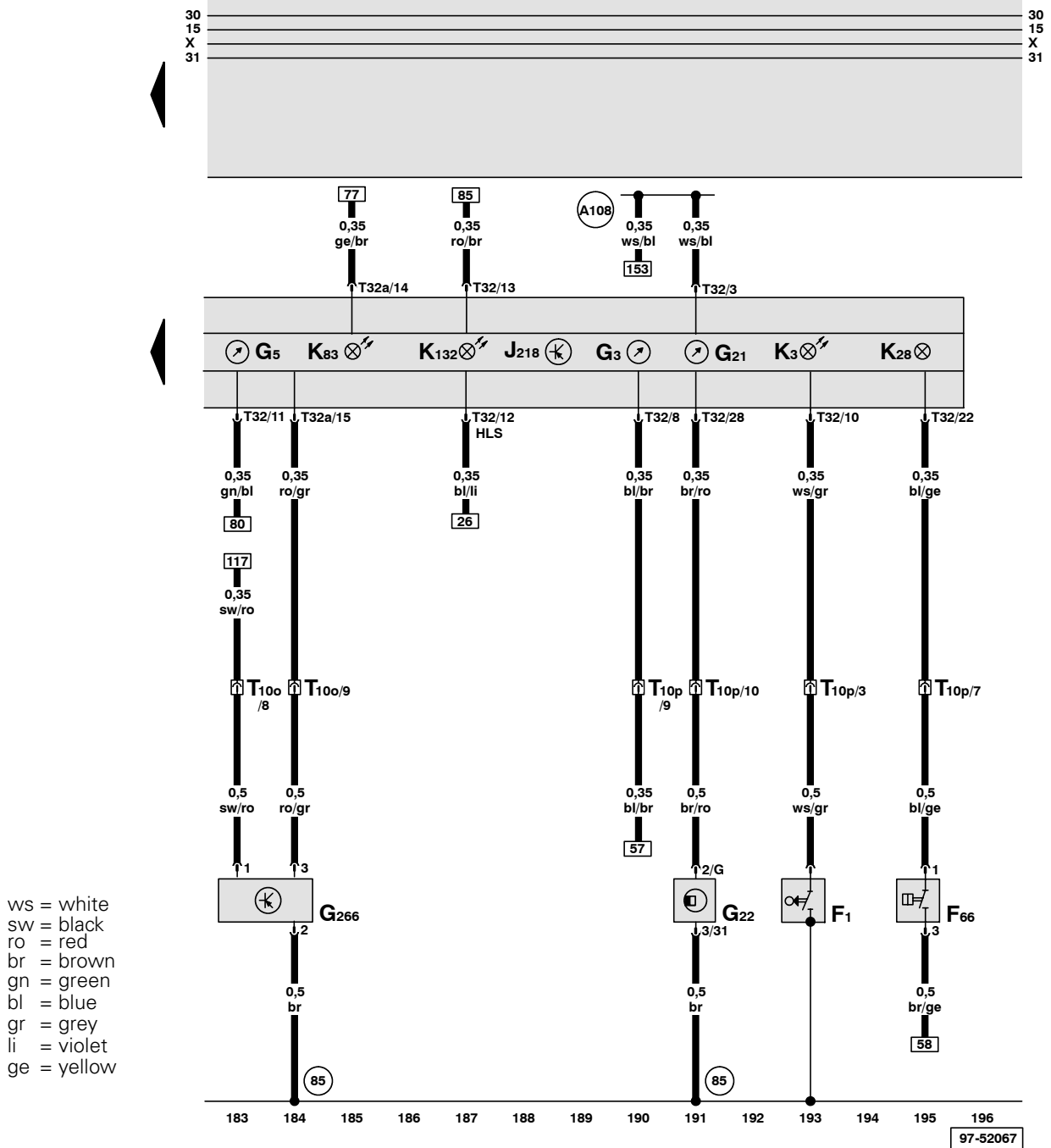
- E87 - A/C Control Head
- F18 - Coolant Fan Control (FC) Thermal Switch
- F54 - Coolant Fan Control (FC) Thermal Switch
- F95 - After-Run Coolant Thermal Switch
- F129 - A/C Pressure Switch
- J293 - Coolant FC (Fan Control) Control Module
- S42 - Coolant Fan Fuse
- S142 - Control module fuse for coolant fan
- S225 - Fuse 25 in fuse holder
- T2by - Connector 2 pin, on Coolant FC (Fan Control) Control Module
- T4av - Connector 4 pin, red, in engine compartment, left
- T6ao - Connector 6 pin, on Coolant FC (Fan Control) Control Module
- T10c - Connector 10 pin, grey, connector station A pillar, left
- T10n - Connector 10 pin, orange, connector station electronic box plenum chamber
- V7 - Coolant Fan
- V51 - After-Run Coolant Pump
- V177 - Coolant fan -2-

- (44) - Ground connection, on left A-pillar, lower part
- (85) - Ground connection -1-, in engine compartment wiring harness
- (193) - Ground connection -1-, in coolant fan wiring harness
- (L4) - Wire connection (75a), in A/C wiring harness
- (L39) - Wire connection -1- (A/C Pressure Switch), in Climatronic wiring harness



- G - Sender for fuel gauge
- G1 - Fuel Gauge
- G6 - Fuel Pump (FP)
- G169 - Sender 2 for fuel gauge
- G237 - Sensor -3- for fuel supply
- J218 - Instrument Cluster Combination Processor
- K2 - Generator (GEN) Warning Light
- T10f - Connector 10 pin, brown, connector station A pillar, left
- T10ba - Connector 10 pin, blue, connector station A pillar, left
- T16a - Connector 16 pin, data link connector
- T32 - Connector 32 pin, blue, on instrument cluster
- T32a - Connector 32 pin, green, on instrument cluster

- (86) - Ground connection -1-, in rear wiring harness
- (269) - Ground connector (sensor ground) -1-, in instrument panel wiring harness
- (A76) - Connector (K-diagnosis wire), in instrument panel wiring harness
- \* - Vehicles with front wheel drive
- \*\* - Vehicles with all wheel drive
- \*\*\* - Wiring inside fuel tank
- # - Exit Sensor ground



- F1 - Oil Pressure Switch
- F66 - Engine Coolant Level (ECL) Warning Switch
- G3 - Engine Coolant Temperature (ECT) Gauge
- G5 - Tachometer
- G21 - Speedometer
- G22 - Speedometer Vehicle Speed Sensor (VSS)
- G266 - Oil Level Thermal Sensor (SRI)
- J218 - Instrument Cluster Combination Processor
- K3 - Oil Pressure Warning Light
- K28 - Engine Coolant Level/Temperature (ECL/ECT) Warning Light
- K83 - Malfunction Indicator Lamp (MIL)
- K132 - Fault light for power accelerator activation
- T10o - Connector 10 pin, brown, connector station electronic box plenum chamber
- T10p - Connector 10 pin, black, connector station electronic box plenum chamber
- T32 - Connector 32 pin, blue, on instrument cluster
- T32a - Connector 32 pin, green, on instrument cluster

- 85 - Ground connection -1-, in engine compartment wiring harness
- A108 - Connector (speed signal), in instrument panel wiring harness