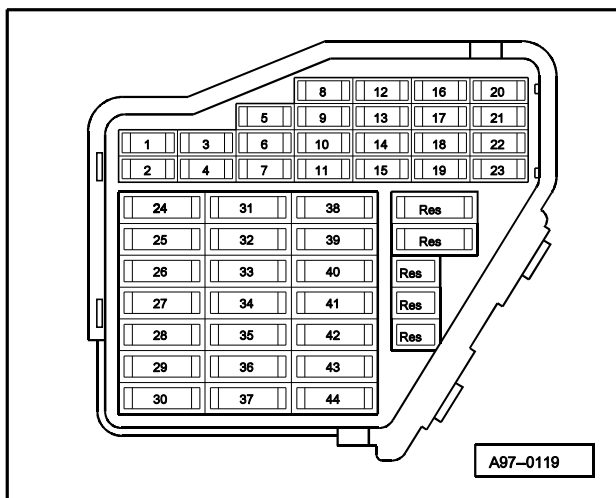


**Central locking with radio-operated remote control (models with or without anti-theft alarm system and interior monitoring)**

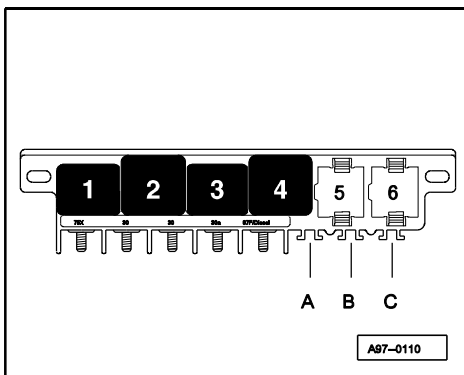
From model year 2000

**Fuse box**



From fuse number 23 upwards the fuses in the fuse box are designated as 223 etc. in the Current Flow Diagram.

**Micro-central electrics**



**Fuse colours:**

30 A - green



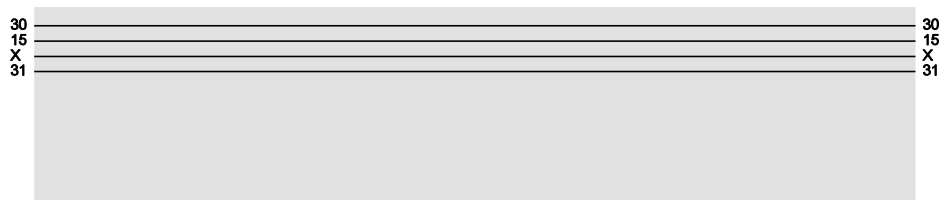
Protected by copyright. Copying for private or commercial purposes, in part or in whole, is not permitted unless authorised by AUDI AG. AUDI AG does not guarantee or accept any liability with respect to the correctness of information in this document. Copyright by AUDI AG.

- 25 A - white
- 20 A - yellow
- 15 A - blue
- 10 A - red
- 7.5 A - brown
- 5 A - beige



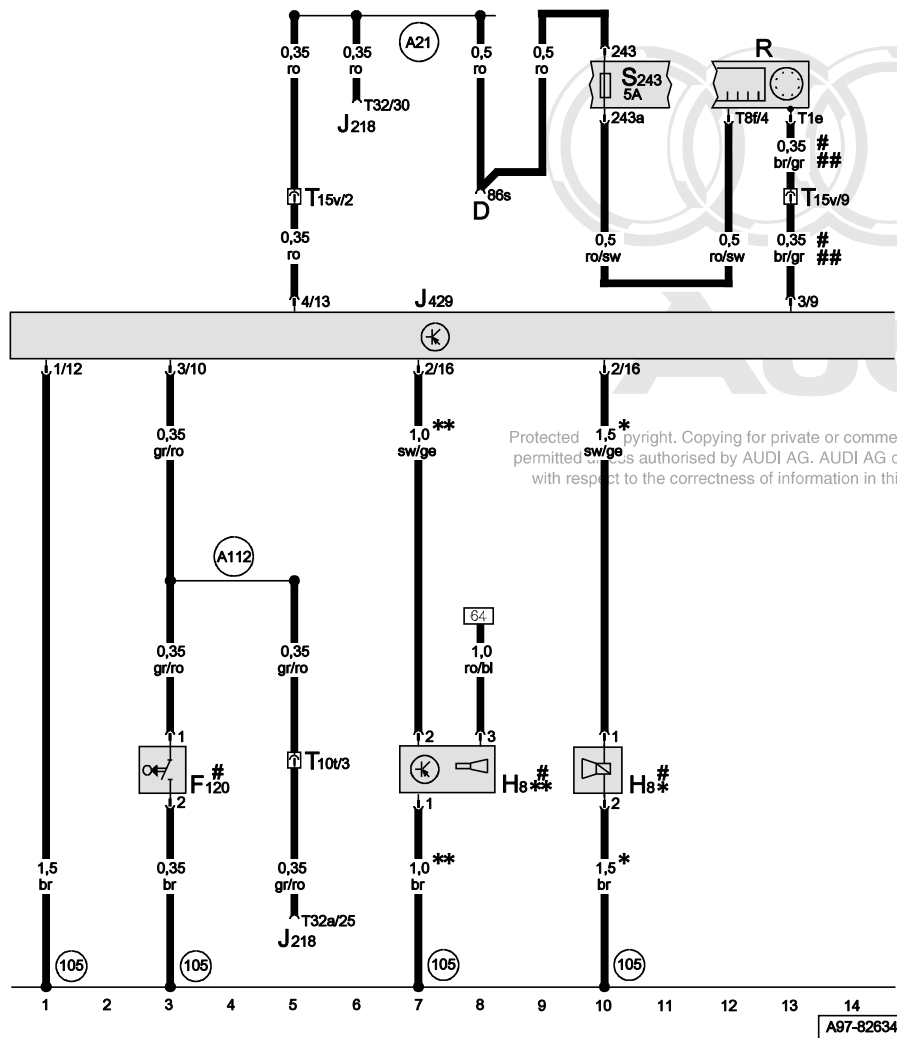
Audi

Protected by copyright. Copying for private or commercial purposes, in part or in whole, is not permitted unless authorised by AUDI AG. AUDI AG does not guarantee or accept any liability with respect to the correctness of information in this document. Copyright by AUDI AG.



Central locking control unit, anti-theft alarm system contact switch (bonnet), anti-theft alarm system horn

- D Ignition/starter switch
- F120 Anti-theft alarm system contact switch, bonnet
- H8 Anti-theft alarm system horn
- J218 Combi-processor in dash panel insert
- J429 Central locking control unit
- R Radio
- S243 Fuse 43 in fuse box
- T1e Single connector, on radio
- T8f 8-pin connector, black, radio connector III
- T10t 10-pin connector, orange, right connector point A-pillar
- T15v 15-pin connector, orange, connector point, A pillar, right
- T32 32-pin connector, blue, on dash panel insert
- T32a 32-pin connector, green, on dash panel insert
- (105) Earth connection -1-, in central locking wiring harness
- (A21) Connection (86s), in dash panel wiring harness
- (A112) Connection (bonnet switch), in dash panel wiring harness
- \* Does not apply to models for Great Britain
- \*\* Only models for Great Britain
- # Models with anti-theft alarm system
- ## Does not apply to models for Germany



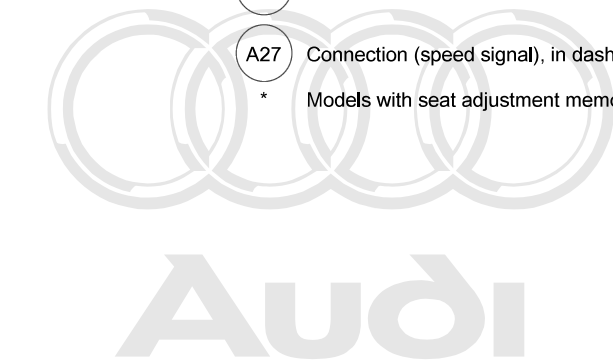
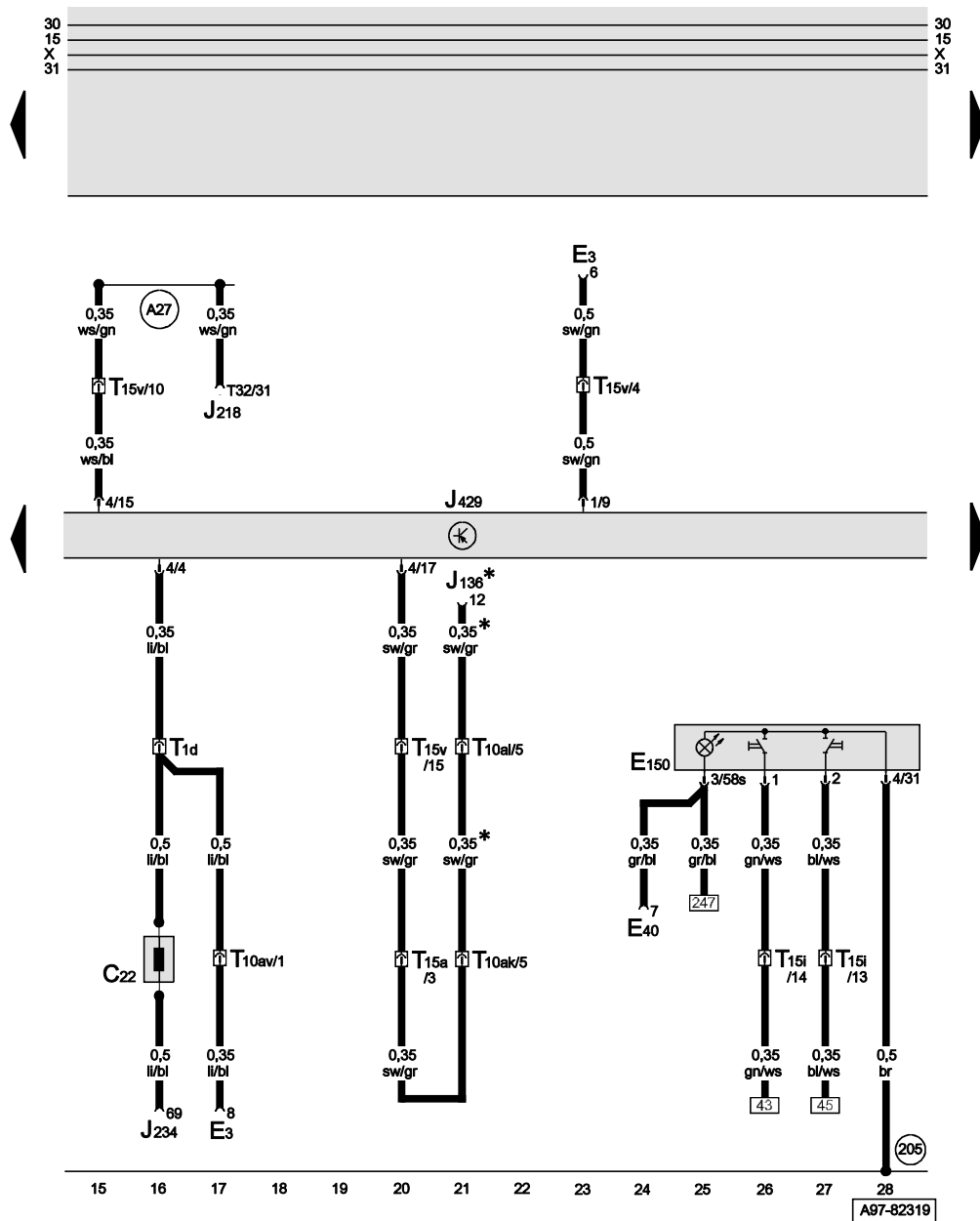
- ws = white
- sw = black
- ro = red
- br = brown
- gn = green
- bl = blue
- gr = grey
- li = purple
- ge = yellow
- or = orange
- rs = pink

A97-82634

Central locking control unit, interior locking switch on driver's side

- C22 Interference suppression choke for airbag
- E3 Hazard warning light switch
- E40 Front left electric window switch
- E150 Interior locking switch, driver's side
- J136 Seat adjustment (with memory) control unit
- J218 Combi-processor in dash panel insert
- J234 Airbag control unit
- J429 Central locking control unit
- T1d Single connector, brown, connector point, right A pillar
- T10ak 10-pin connector, green, connector point, A pillar, left
- T10al 10-pin connector, brown, under driver's seat
- T10av 10-pin connector, yellow, connector point, A pillar, right
- T15a 15-pin connector, black, connector point, left A pillar
- T15i 15-pin connector, brown, connector point, A pillar, left
- T15v 15-pin connector, orange, connector point, A pillar, right
- T32 32-pin connector, blue, on dash panel insert

- (205) Earth connection, in door wiring harness - driver's side
- (A27) Connection (speed signal), in dash panel wiring harness
- \* Models with seat adjustment memory



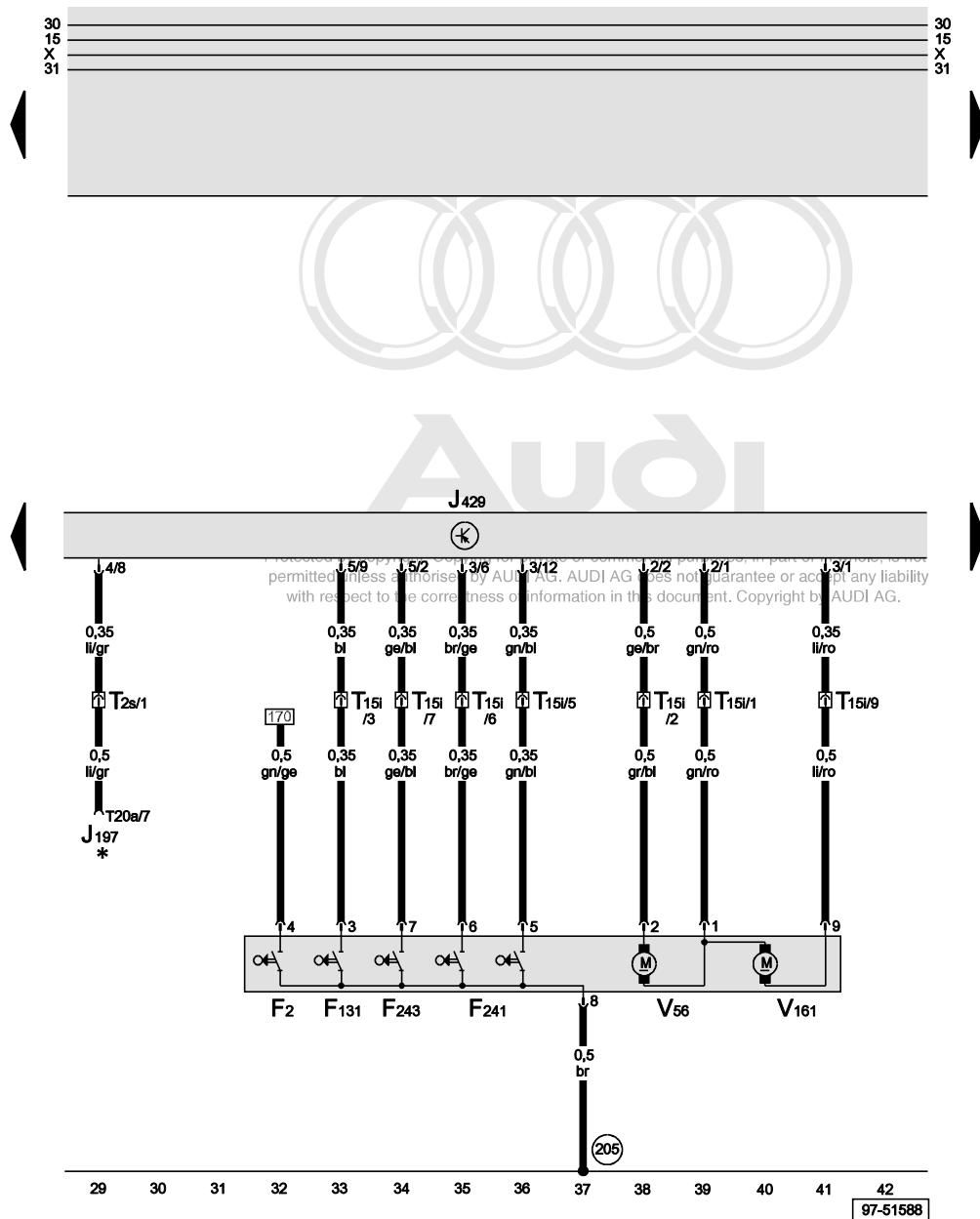
Protected by copyright. Copying for private or commercial purposes, in part or in whole, is not permitted unless authorised by AUDI AG. AUDI AG does not guarantee or accept any liability with respect to the correctness of information in this document. Copyright by AUDI AG.

- ws = white
- sw = black
- ro = red
- br = brown
- gn = green
- bl = blue
- gr = grey
- li = purple
- ge = yellow
- or = orange
- rs = pink

Central locking control unit, door contact switch on driver's side

- F2 Door contact switch, driver's side
- F131 Central locking actuator, front left
- F241 Contact switch in lock cylinder, driver's side
- F243 Central locking actuator (Safe), driver's door
- J197 Self-levelling suspension control unit
- J429 Central locking control unit
- T2s 2-pin connector, black, connector point, right A pillar
- T15i 15-pin connector, brown, connector point, A pillar, left
- T20a 20-pin connector, red, on self-levelling suspension control unit
- V56 Central locking motor, driver's door
- V161 Central locking motor (Safe), driver's door

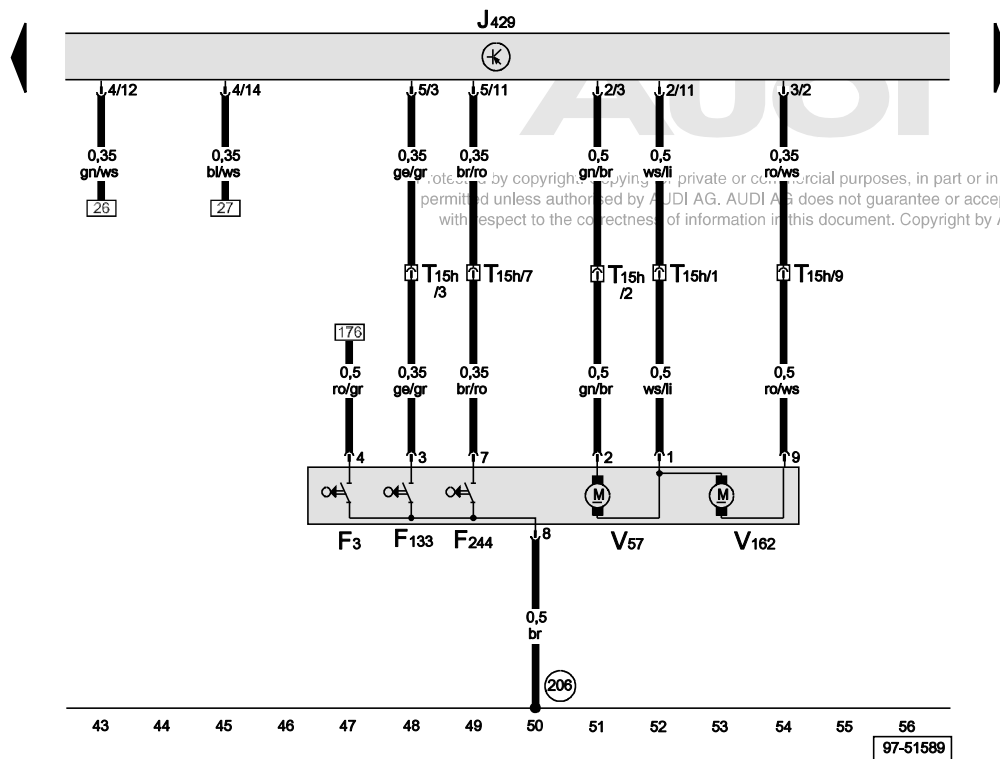
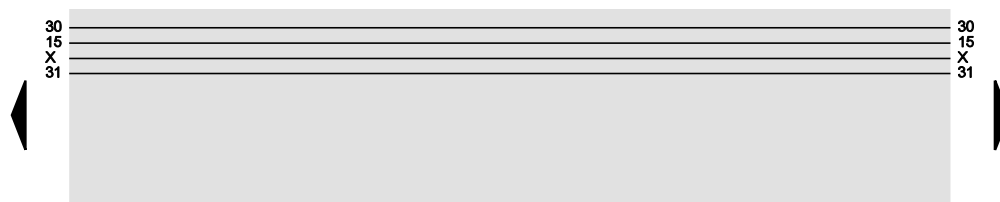
- 205 Earth connection, in door wiring harness - driver's side
- \* Only models with self-levelling suspension



- ws = white
- sw = black
- ro = red
- br = brown
- gn = green
- bl = blue
- gr = grey
- li = purple
- ge = yellow
- or = orange
- rs = pink

Central locking control unit, door contact switch on front passenger's side, interior locking switch on front passenger's side

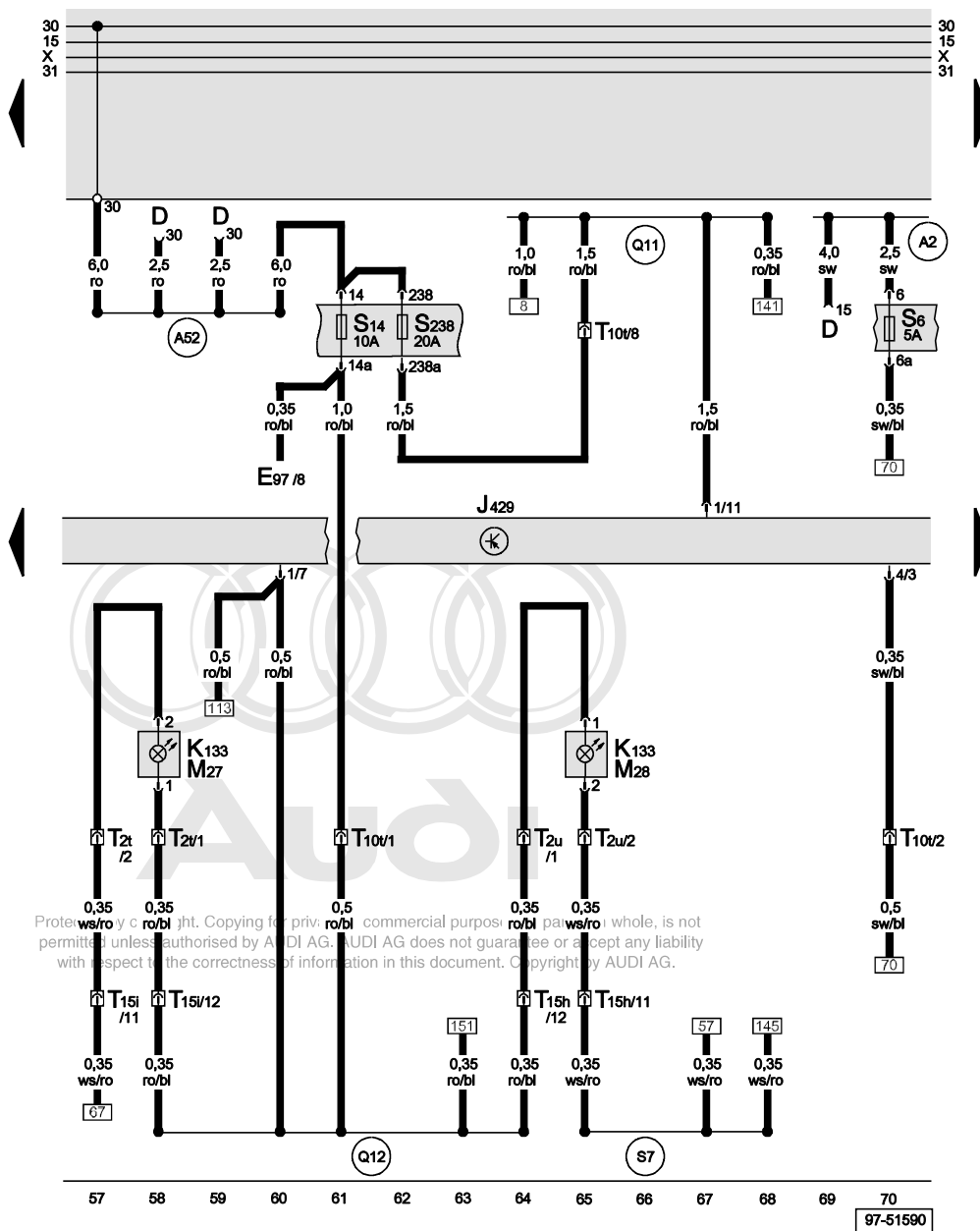
- E41 Front right electric window switch
- F3 Door contact switch, front passenger's side
- F133 Central locking actuator, front right
- F244 Central locking actuator (Safe), front passenger's door
- J429 Central locking control unit
- T15h 15-pin connector, brown, connector point, A pillar, right
- V57 Central locking motor, front passenger's door
- V162 Central locking motor (Safe), front passenger's door
- 206 Earth connection, in door wiring harness - front passenger's side



- ws = white
- sw = black
- ro = red
- br = brown
- gn = green
- bl = blue
- gr = grey
- li = purple
- ge = yellow
- or = orange
- rs = pink

Central locking control unit, left door warning lamp, right door warning lamp

- D Ignition/starter switch
- E97 Memory operating unit
- J429 Central locking control unit
- K133 Central locking warning lamp -SAFE-
- M27 Door warning lamp, left
- M28 Door warning lamp, right
- S6 Fuse in fuse box
- S14 Fuse in fuse box
- S238 Fuse 38 in fuse box
- T2t 2-pin connector, black, in driver's door
- T2u 2-pin connector, black, in front passenger's door
- T10t 10-pin connector, orange, connector point, A pillar, right
- T15h 15-pin connector, brown, connector point, A pillar, right
- T15i 15-pin connector, brown, connector point, A pillar, left
- A2 Positive (+) connection (15), in dash panel wiring harness
- A52 Positive (+) connection 2 (30), in dash panel wiring harness
- Q11 Positive (+) connection (30 a), in electric window/central locking and door contact switch wiring harness
- Q12 Positive (+) connection (30 a), in electric window/central locking and door contact switch wiring harness
- S7 Connection -2-, in central locking wiring harness

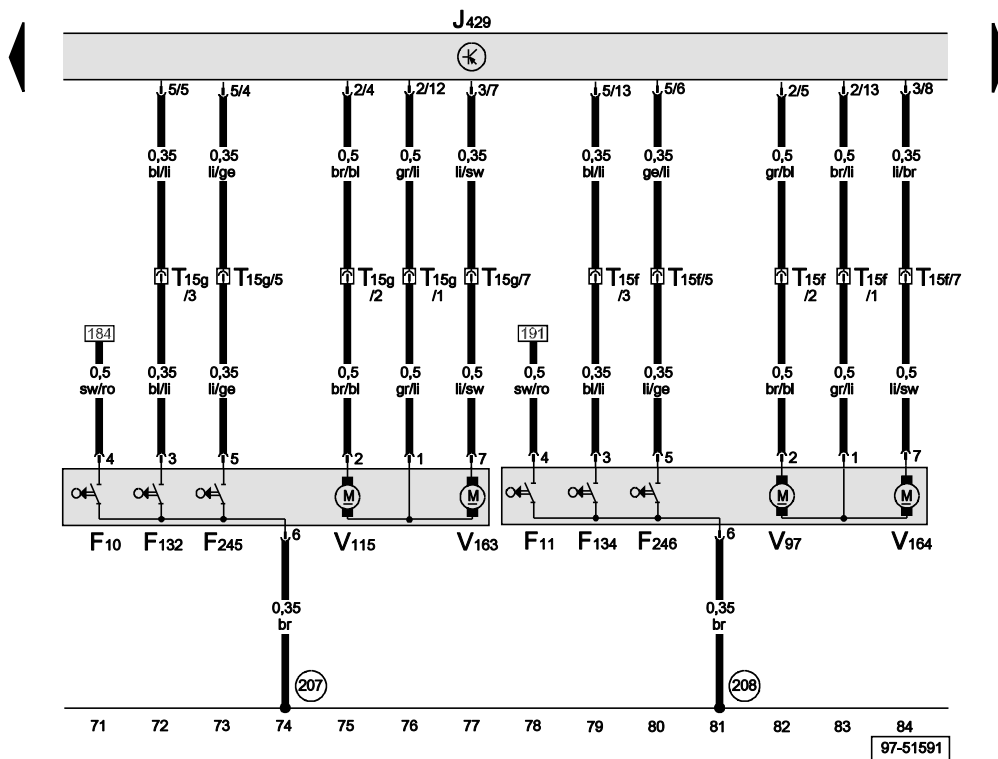
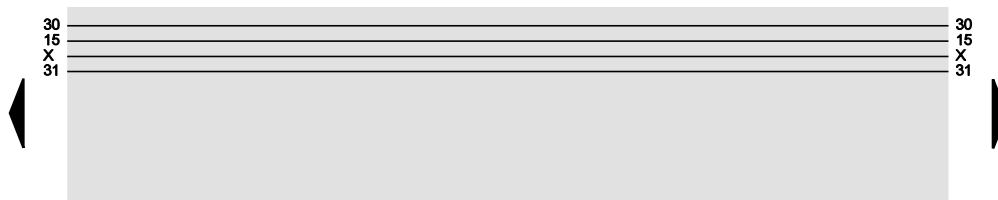


Proterws y c ro/bl jht. Copying for priv commercial purpos pairs/ro whole, is not permitted unless authorised by Audi AG. Audi AG does not guarantee or accept any liability with respect to the correctness of information in this document. Copyright by Audi AG.

ws = white  
 sw = black  
 ro = red  
 br = brown  
 gn = green  
 bl = blue  
 gr = grey  
 li = purple  
 ge = yellow  
 or = orange  
 rs = pink

Central locking control unit, rear left door contact switch, rear right door contact switch

- F10 Rear left door contact switch
- F11 Rear right door contact switch
- F132 Central locking actuator, rear left
- F134 Central locking actuator, rear right
- F245 Central locking actuator (Safe), rear left door
- F246 Central locking actuator (Safe), rear right door
- J429 Central locking control unit
- T15f 15-pin connector, blue, in B pillar, right
- T15g 15-pin connector, blue, in B pillar, left
- V97 Central locking motor, rear right door
- V115 Central locking motor, rear left door
- V163 Central locking motor (Safe), rear left door
- V164 Central locking motor (Safe), rear right door
- 207 Earth connection, in rear left door wiring harness
- 208 Earth connection, in rear right door wiring harness



- ws = white
- sw = black
- ro = red
- br = brown
- gn = green
- bl = blue
- gr = grey
- li = purple
- ge = yellow
- or = orange
- rs = pink

Protected by copyright. Copying for private or commercial purposes, in part or in whole, is not permitted unless authorised by AUDI AG. AUDI AG does not guarantee or accept any liability with respect to the correctness of information in this document. Copyright by AUDI AG.



97-51591



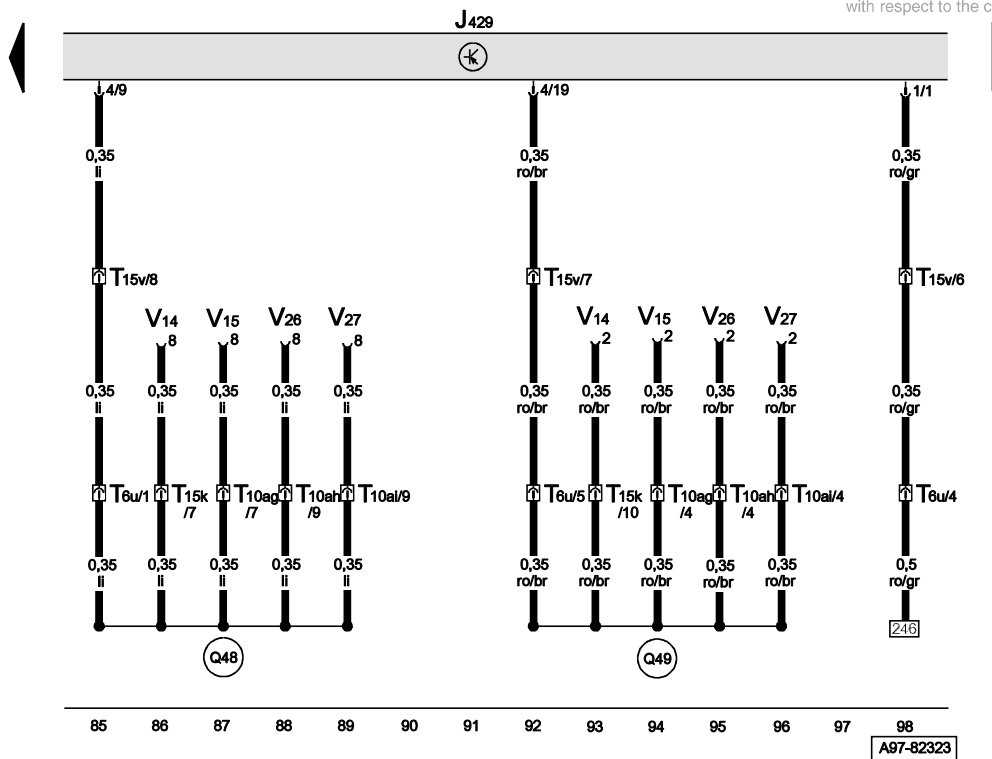
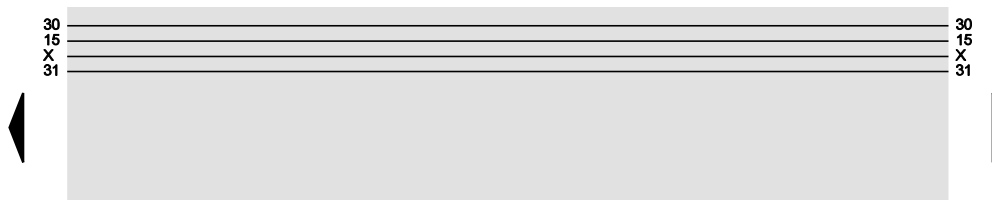
Central locking control unit, electric window motors

- J429 Central locking control unit
- T6u 6-pin connector, grey, connector point, A pillar, left
- T10ag 10-pin connector, red, connector point, A pillar, right
- T10ah 10-pin connector, red, in B pillar, left
- T10ai 10-pin connector, red, in B pillar, right
- T15k 15-pin connector, red, connector point, A pillar, left
- T15v 15-pin connector, orange, connector point, A pillar, right
- V14 Electric window motor, left
- V15 Electric window motor, right
- V26 Electric window motor, rear left
- V27 Electric window motor, rear right

Q48 Connection (open), in interior wiring harness

Q49 Connection (closed), in interior wiring harness

Protected by copyright. Copying for private or commercial purposes, in part or in whole, is not permitted unless authorised by AUDI AG. AUDI AG does not guarantee or accept any liability with respect to the correctness of information in this document. Copyright by AUDI AG.



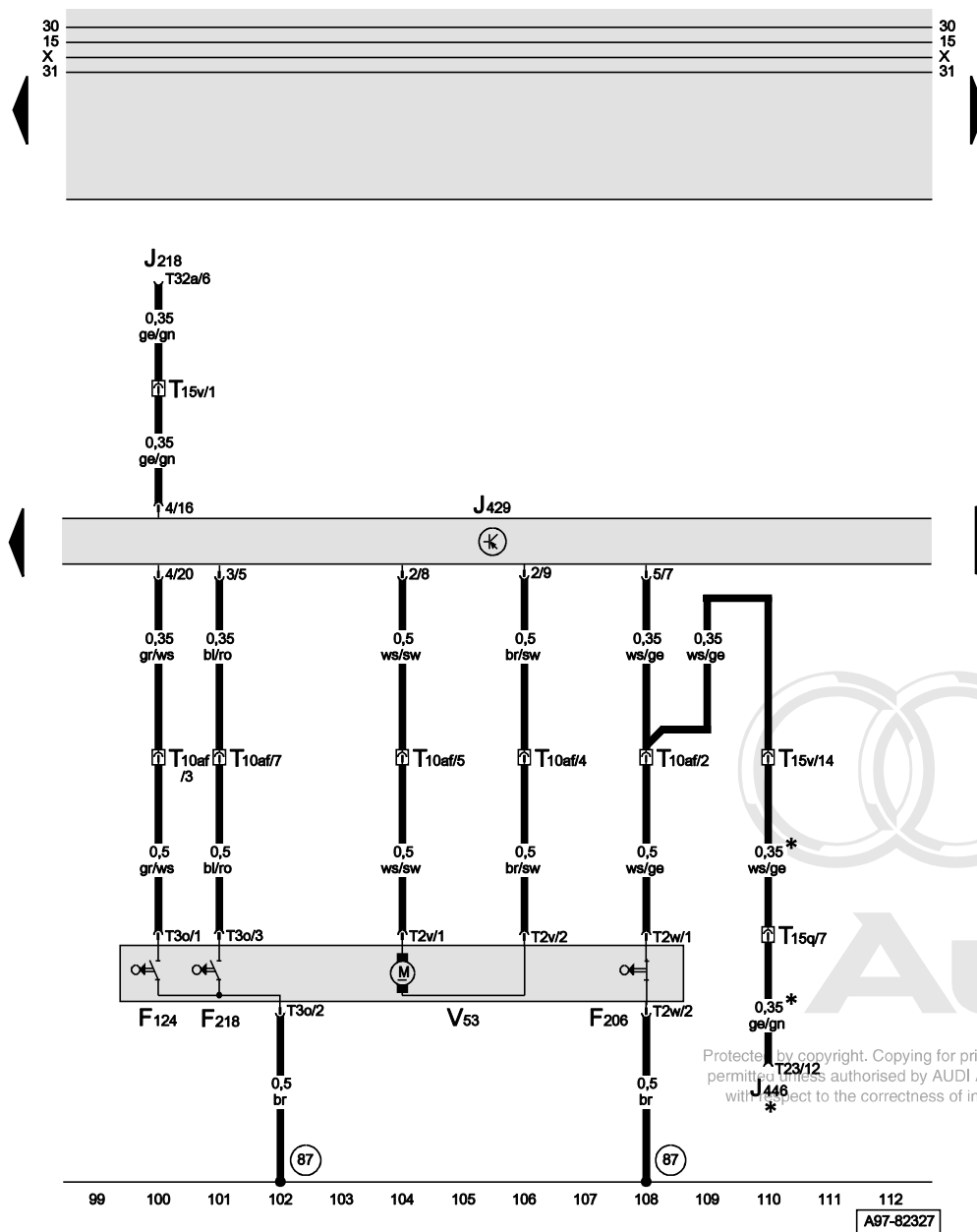
A97-82323

Central locking control unit, lock cylinder switch for tailgate/ boot lid

- F124 Contact switch in lock cylinder for tailgate/boot lid anti-theft alarm system/central locking system
- F206 Tailgate/boot lid closed switch
- F218 Tailgate/boot lid central locking switch
- J218 Combi-processor in dash panel insert
- J429 Central locking control unit
- J446 Parking aid control unit
- T2v 2-pin connector, black, in luggage compartment
- T2w 2-pin connector, grey, in luggage compartment
- T3o 3-pin connector, black, in tailgate/boot lid
- T10af 10-pin connector, purple, connector point, A pillar, left
- T15q 15-pin connector, white, connector point, A pillar, right
- T15v 15-pin connector, orange, connector point, A pillar, right
- T23 23-pin connector, black, on parking aid control unit
- T32a 32-pin connector, green, on dash panel insert
- V53 Central locking motor, tailgate/boot lid

87 Earth connection -2-, in rear wiring harness

\* Models with parking aid



Protected by copyright. Copying for private or commercial purposes, in part or in whole, is not permitted unless authorised by AUDI AG. AUDI AG does not guarantee or accept any liability with respect to the correctness of information in this document. Copyright by AUDI AG.

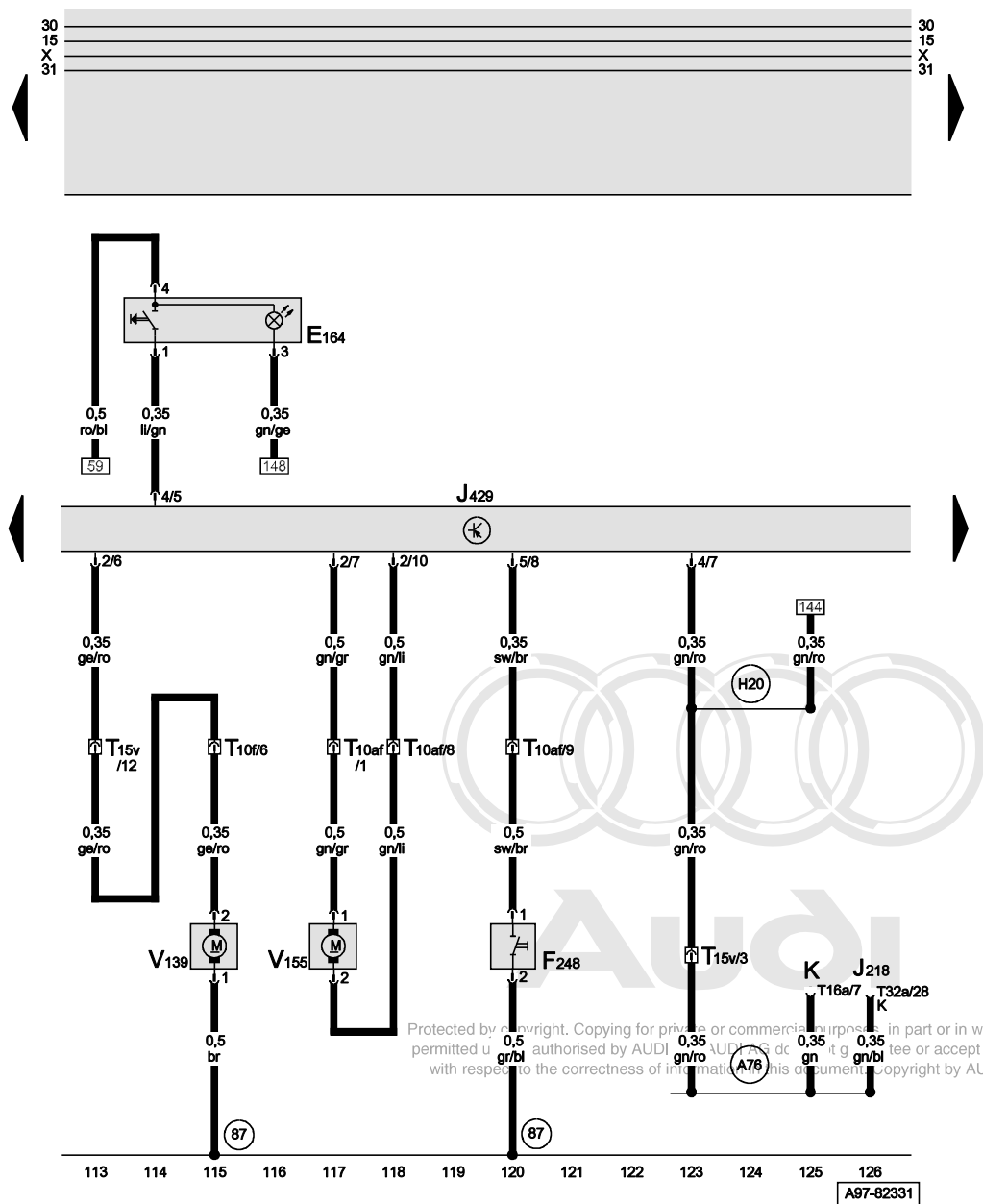
- ws = white
- sw = black
- ro = red
- br = brown
- gn = green
- bl = blue
- gr = grey
- li = purple
- ge = yellow
- or = orange
- rs = pink

A97-82327

Central locking control unit, release button for tailgate/boot lid lock cylinder, tailgate/boot lid release motor, tank filler flap release motor

- E164 Luggage compartment release switch
- F248 Release button for tailgate/boot lid lock cylinder
- J218 Combi-processor in dash panel insert
- J429 Central locking control unit
- K Diagnosis connection
- T10f 10-pin connector, brown, connector point, A pillar, left
- T10af 10-pin connector, purple, connector point, A pillar, left
- T15v 15-pin connector, orange, connector point, A pillar, right
- T16a 16-pin connector, diagnosis connection
- T32a 32-pin connector, green, on dash panel insert
- V139 Tailgate/boot lid release motor
- V155 Tank filler flap release motor

- (87) Earth connection -2-, in rear wiring harness
- (A76) Connection (diagnosis wire K), in dash panel wiring harness
- (H20) Connection -1-, in diagnosis wiring harness

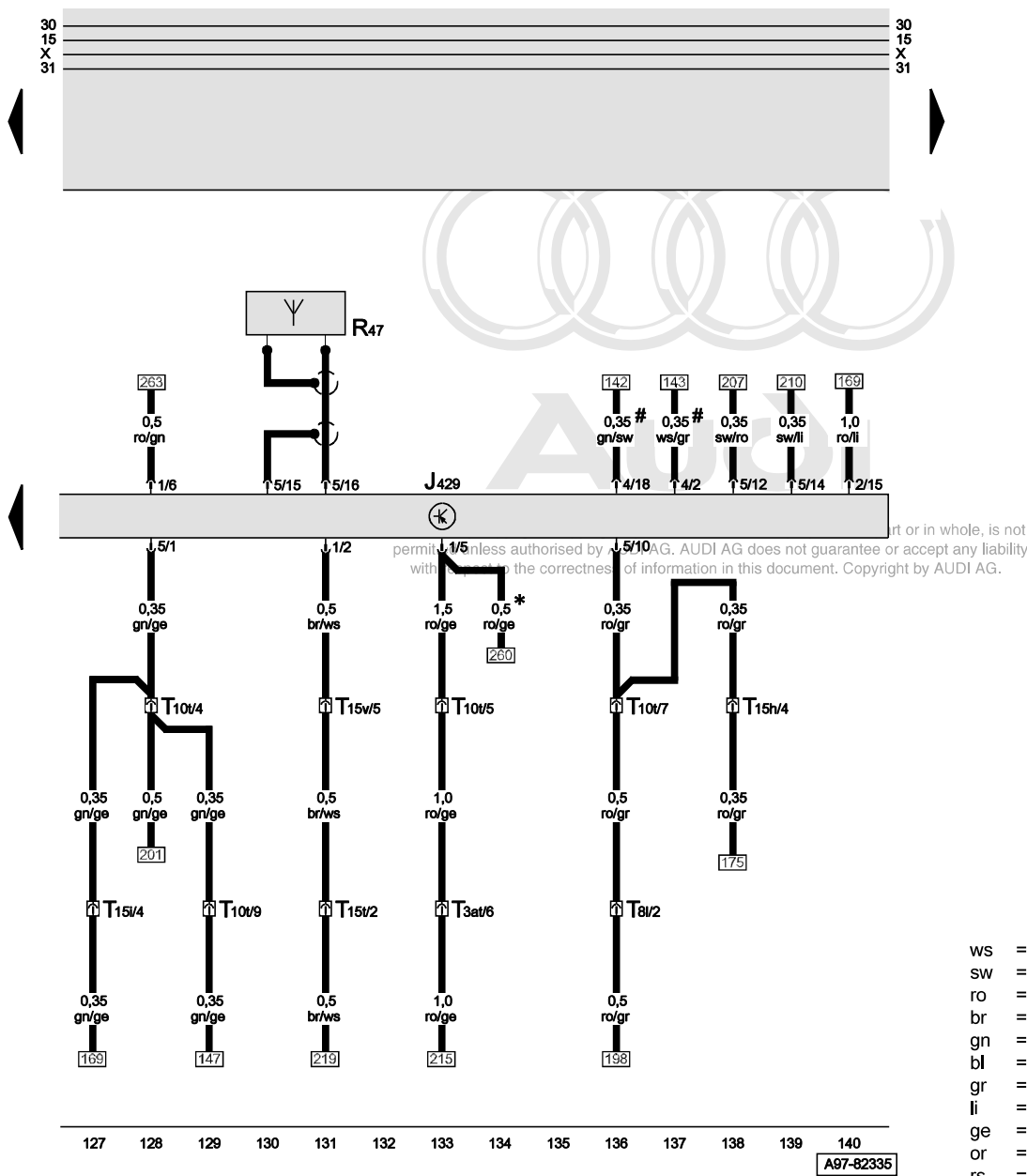


- ws = white
- sw = black
- ro = red
- br = brown
- gn = green
- bl = blue
- gr = grey
- li = purple
- ge = yellow
- or = orange
- rs = pink

A97-82331

Central locking control unit, luggage compartment light, aerial for central locking

- J429 Central locking control unit
- R47 Central locking and anti-theft alarm system aerial
- T3at 3-pin connector, grey, connector point left A-pillar
- T8l 8-pin connector, behind dash panel, right
- T10t 10-pin connector, orange, right connector point A-pillar
- T15h 15-pin connector, brown, connector point, A pillar, right
- T15i 15-pin connector, brown, connector point, A pillar, left
- T15t 15-pin connector, grey, connector point left A-pillar
- T15v 15-pin connector, orange, connector point, A pillar, right
- \* Avant models
- # Models with anti-theft alarm system



part or in whole, is not permitted without the express written permission of Audi AG. AUDI AG does not guarantee or accept any liability for the correctness of information in this document. Copyright by AUDI AG.

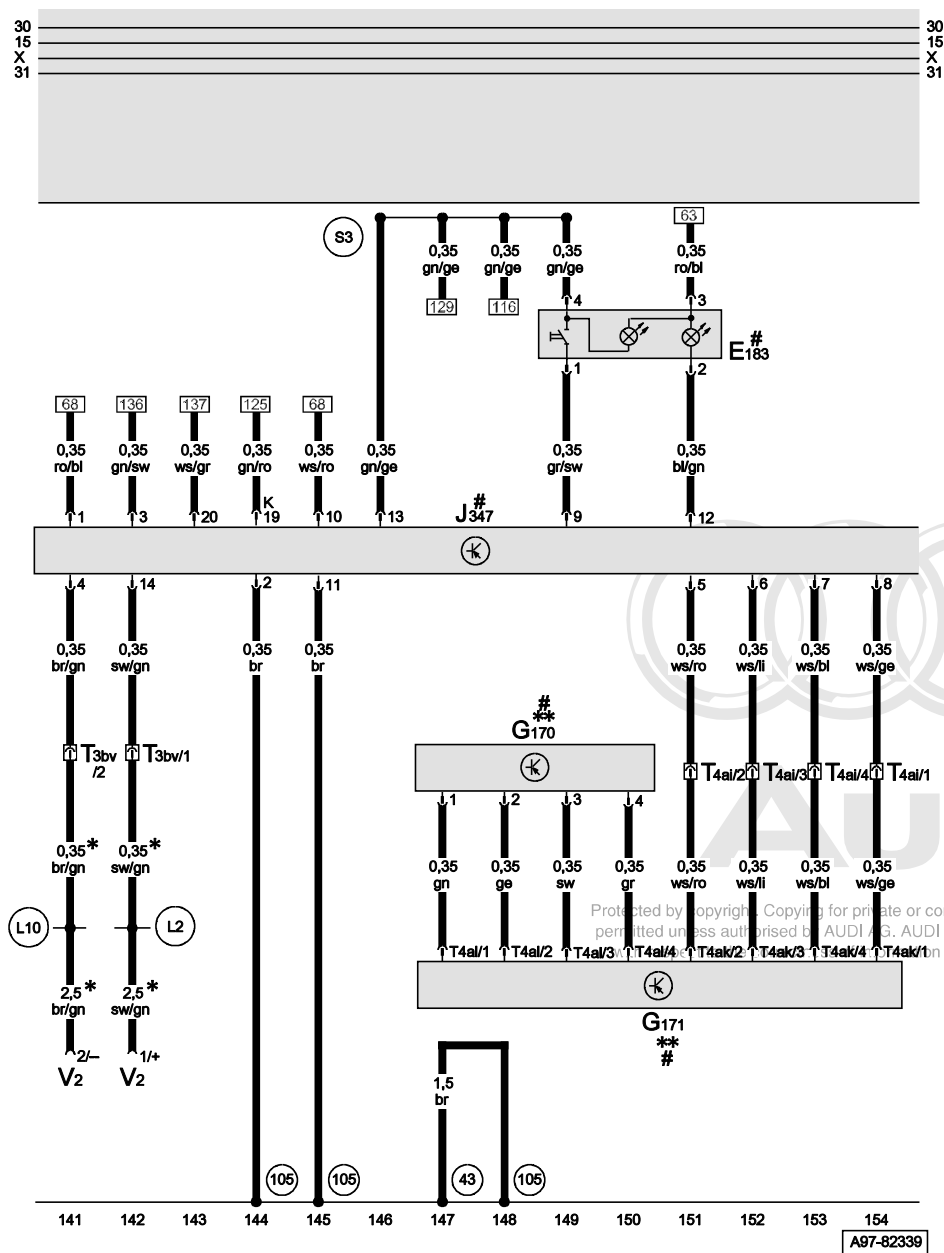
A97-82335

Ultra-sonic sensor control unit, left and right ultra-sonic sensors for anti-theft alarm system

- E183 Interior monitor switch
- G170 Left ultra-sonic sensor for anti-theft alarm system
- G171 Right ultra-sonic sensor for anti-theft alarm system
- J347 Ultra-sonic sensor control unit
- T3bv 3-pin connector, orange, connector point, A pillar, right
- T4ai 4-pin connector, C pillar, right
- T4ak 4-pin connector, on right ultra-sonic sensor for anti-alarm system
- T4al 4-pin connector, on right ultra-sonic sensor for anti-alarm system
- V2 Fresh air blower

- (43) Earth point, lower part of right A-pillar
- (105) Earth connection -1-, in central locking wiring harness
- (L2) Connection, in air conditioner wiring harness
- (L10) Connection -2-, in air conditioner wiring harness
- (S3) Connection (door contact), in central locking wiring harness

- \* Models with auxiliary heater and solar roof
- \*\* Models with curtain airbags
- # Models with anti-theft alarm system

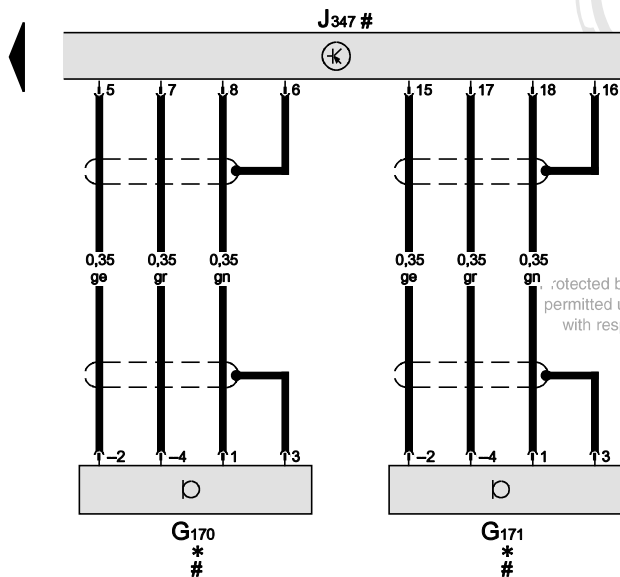
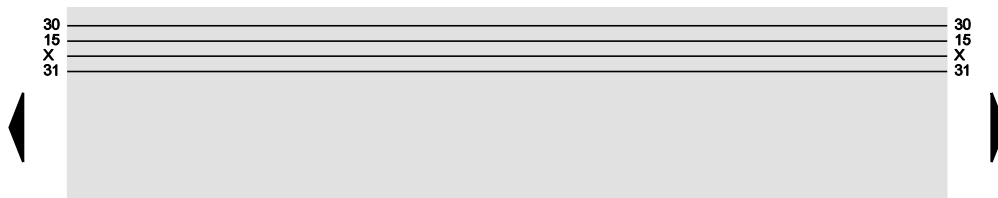


- ws = white
- sw = black
- ro = red
- br = brown
- gn = green
- bl = blue
- gr = grey
- li = purple
- ge = yellow
- or = orange
- rs = pink

Protected by copyright. Copying for private or commercial purposes, in part or in whole, is not permitted unless authorised by AUDI AG. AUDI AG does not guarantee or accept any liability for errors in this document. Copyright by AUDI AG.

Ultra-sonic sensor control unit, left and right ultra-sonic sensors for anti-theft alarm system

- G170 Left ultra-sonic sensor for anti-theft alarm system
- G171 Right ultra-sonic sensor for anti-theft alarm system
- J347 Ultra-sonic sensor control unit
- \* Models without curtain airbags
- # Models with anti-theft alarm system



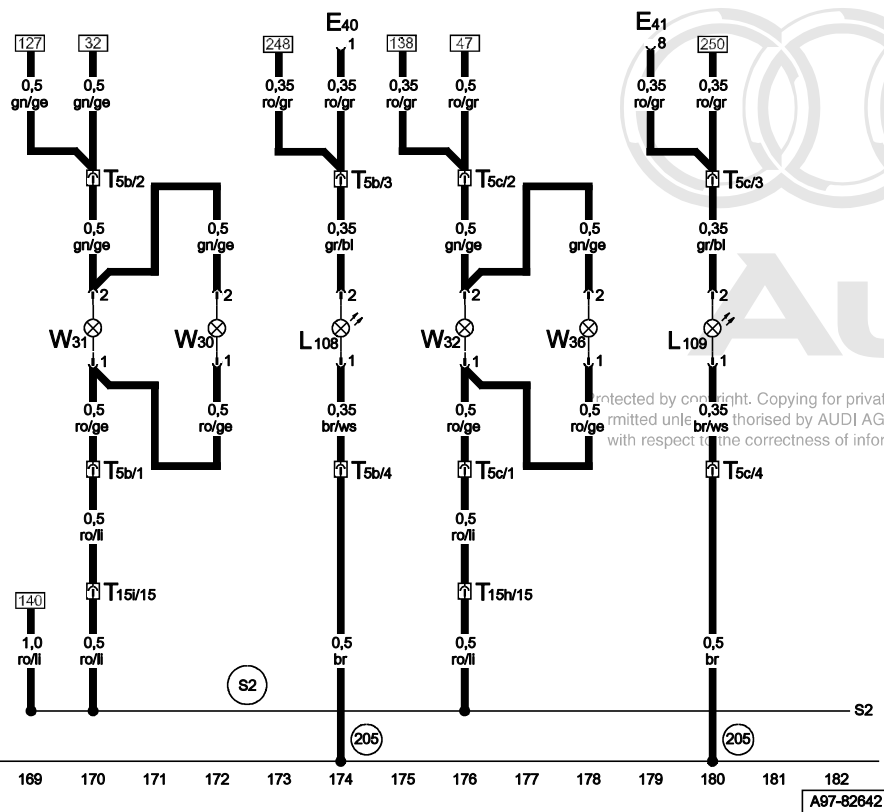
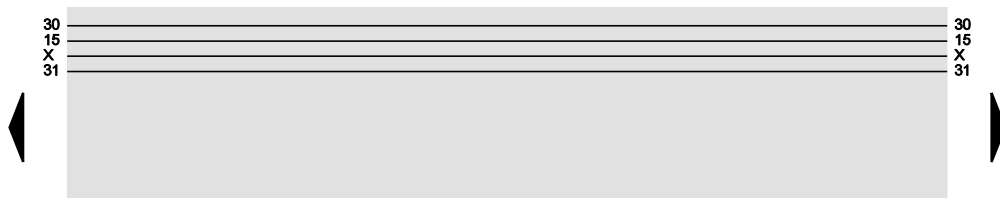
Protected by copyright. Copying for private or commercial purposes, in part or in whole, is not permitted unless authorised by AUDI AG. AUDI AG does not guarantee or accept any liability with respect to the correctness of information in this document. Copyright by AUDI AG.

- ws = white
- sw = black
- ro = red
- br = brown
- gn = green
- bl = blue
- gr = grey
- li = purple
- ge = yellow
- or = orange
- rs = pink

Front left entry light, front right entry light, door opening illumination on driver's side, door opening illumination on front passenger's side

- E40 Front left electric window switch
- E41 Front right electric window switch
- L108 Door opening illumination, driver's side
- L109 Door opening illumination, front passenger's side
- T5b 5-pin connector, black, in driver's door
- T5c 5-pin connector, black, in front passenger's door
- T15h 15-pin connector, brown, connector point, A pillar, right
- T15i 15-pin connector, brown, connector point, A pillar, left
- W30 Door warning lamp, driver's side
- W31 Front left entry light
- W32 Front right entry light
- W36 Door warning lamp, front passenger's side

- (205) Earth connection, in door wiring harness - driver's side
- (S2) Connection, in central locking wiring harness



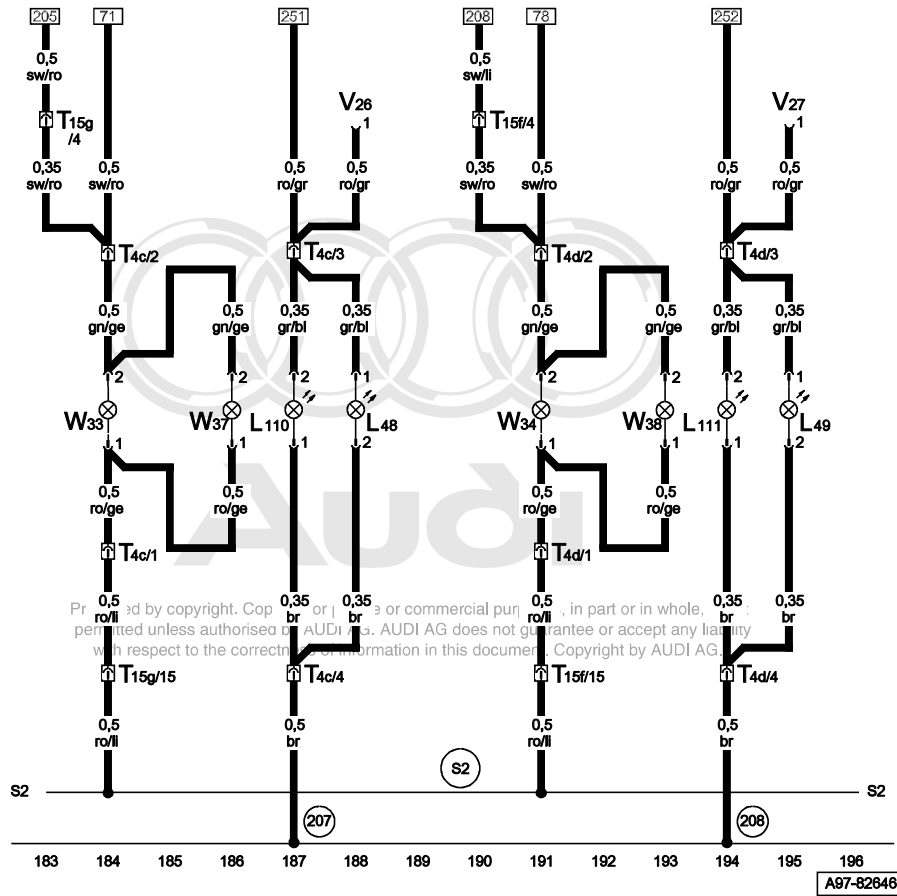
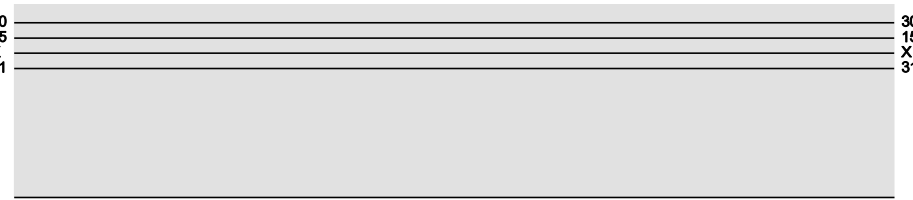
- ws = white
- sw = black
- ro = red
- br = brown
- gn = green
- bl = blue
- gr = grey
- li = purple
- ge = yellow
- or = orange
- rs = pink

A97-82642

Door warning lamps, door handle lighting, ashtray illumination

- L48 Rear ashtray light bulb, left
- L49 Rear ashtray light bulb, right
- L110 Door opening illumination, rear left
- L111 Door opening illumination, rear right
- T4c 4-pin connector, black, in door, rear left
- T4d 4-pin connector, black, in door, rear right
- T15f 15-pin connector, blue, in B pillar, right
- T15g 15-pin connector, blue, in B pillar, left
- V26 Electric window motor, rear left
- V27 Electric window motor, rear right
- W33 Rear left entry light
- W34 Rear right entry light
- W37 Door warning lamp, rear left
- W38 Door warning lamp, rear right

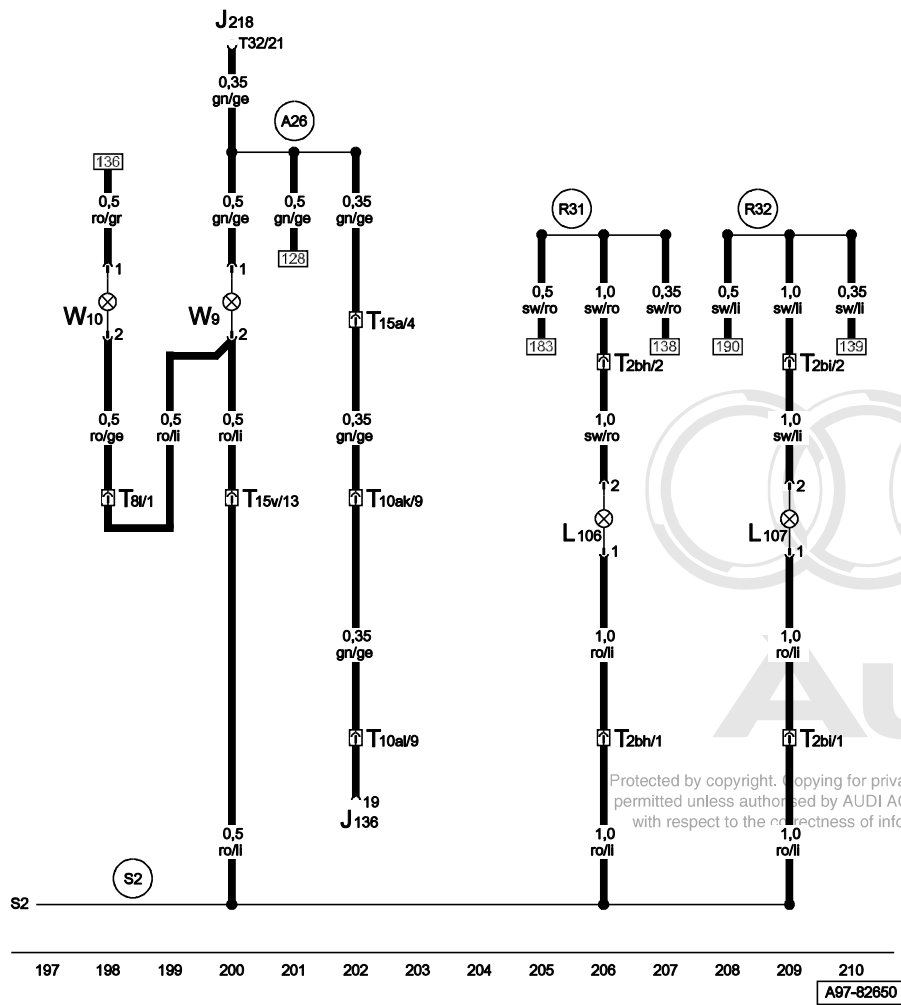
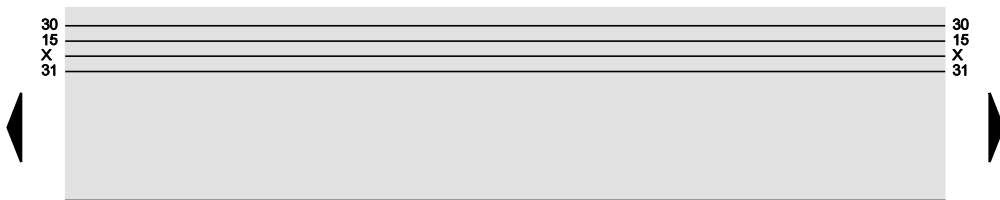
- (207) Earth connection, in rear left door wiring harness
- (208) Earth connection, in rear right door wiring harness
- (S2) Connection, in central locking wiring harness





Footwell lights

- J136 Seat adjustment (with memory) control unit
- J218 Combi-processor in dash panel insert
- L106 Footwell illumination, rear left
- L107 Footwell illumination, rear right
- T2bh 2-pin connector, black, under driver's seat
- T2bi 2-pin connector, black, under front passenger's seat
- T8l 8-pin connector, behind dash panel, right
- T10ak 10-pin connector, green, connector point, A pillar, left
- T10al 10-pin connector, brown, under driver's seat
- T15a 15-pin connector, black, connector point, left A pillar
- T15v 15-pin connector, orange, connector point, A pillar, right
- T32 32-pin connector, blue, on dash panel insert
- W9 Left footwell light
- W10 Right footwell light
- A26 Connection (door contact switch/driver's side), in dash panel wiring harness
- R31 Connection -1-, in rear left door wiring harness
- R32 Connection -2-, in rear right door wiring harness
- S2 Connection, in central locking wiring harness



ws = white  
 sw = black  
 ro = red  
 br = brown  
 gn = green  
 bl = blue  
 gr = grey  
 li = purple  
 ge = yellow  
 or = orange  
 rs = pink

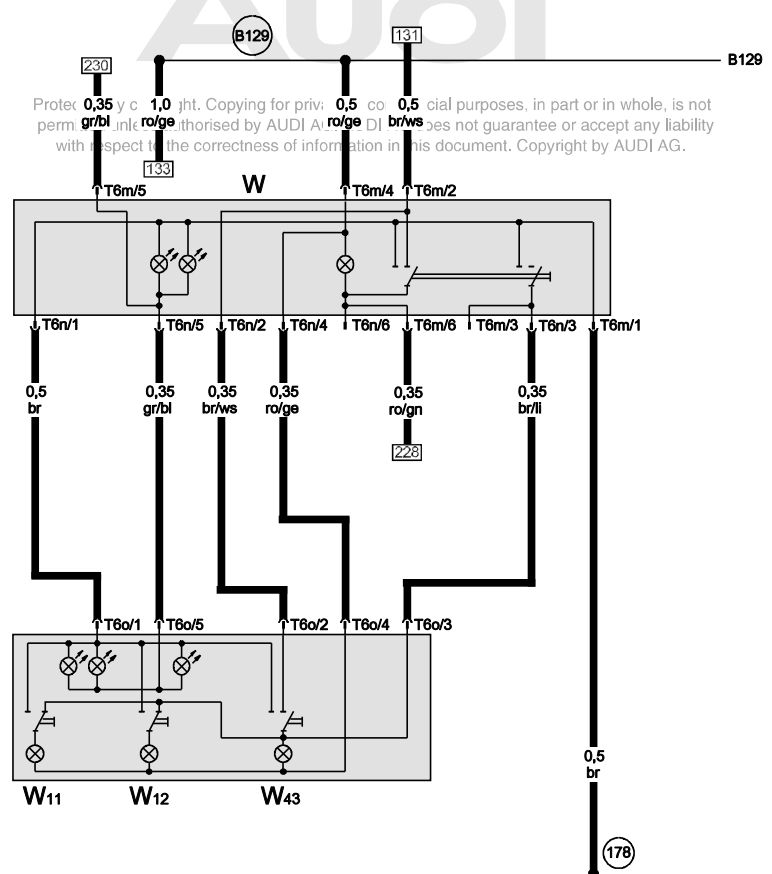
Protected by copyright. Copying for private or commercial purposes in part or in whole, is not permitted unless authorised by AUDI AG. AUDI AG does not guarantee or accept any liability with respect to the correctness of information in this document. Copyright by AUDI AG.

Front interior light, rear reading lamps

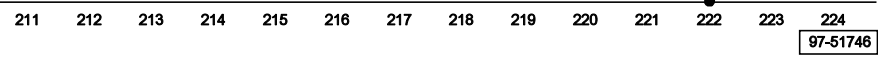
- T6m 6-pin connector, on interior light, front
- T6n 6-pin connector, on interior light, front
- T6o 6-pin connector, on interior light, rear
- W Interior light, front
- W11 Reading lamp, rear left
- W12 Reading lamp, rear right
- W43 Rear interior light

178 Earth connection, in sliding sunroof wiring harness

B129 Connection (interior light), in interior wiring harness



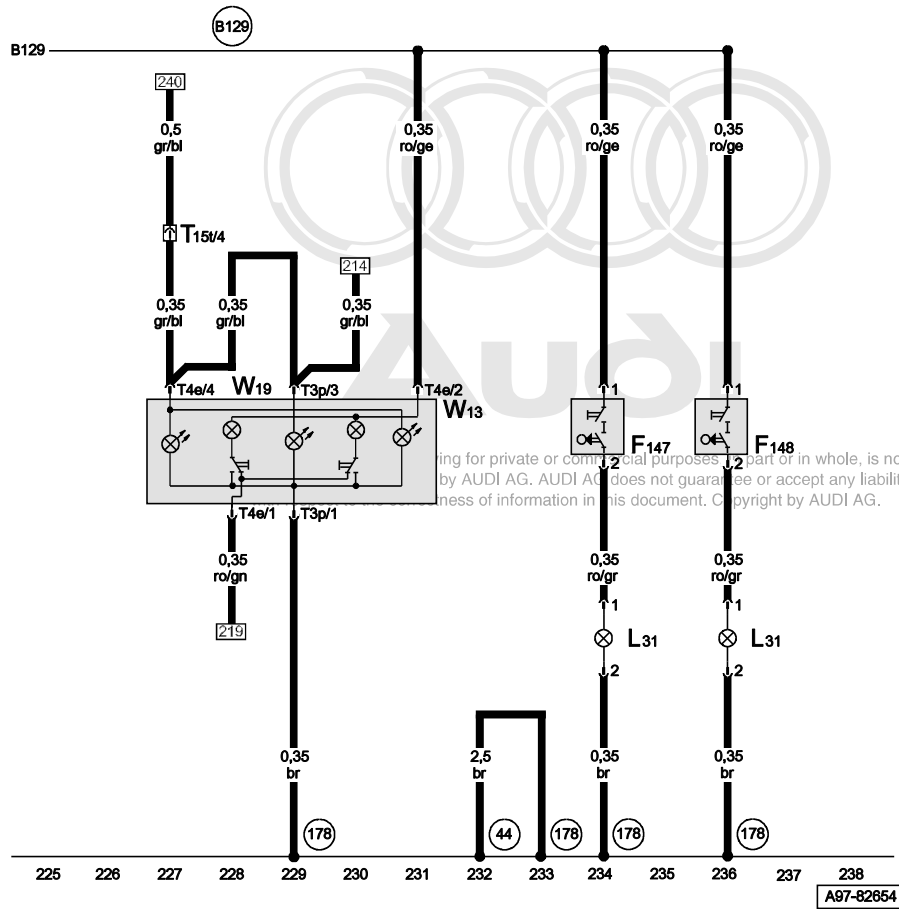
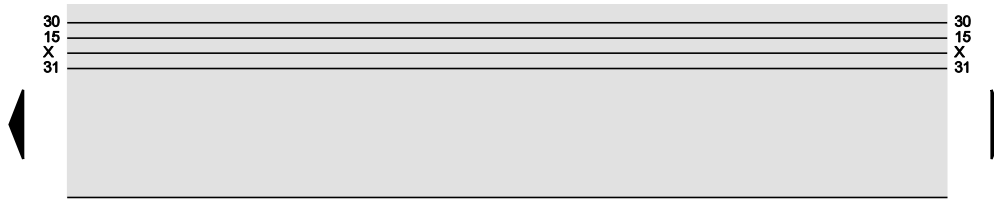
- ws = white
- sw = black
- ro = red
- br = brown
- gn = green
- bl = blue
- gr = grey
- li = purple
- ge = yellow
- or = orange
- rs = pink



Front reading lamps, illumination for vanity mirrors

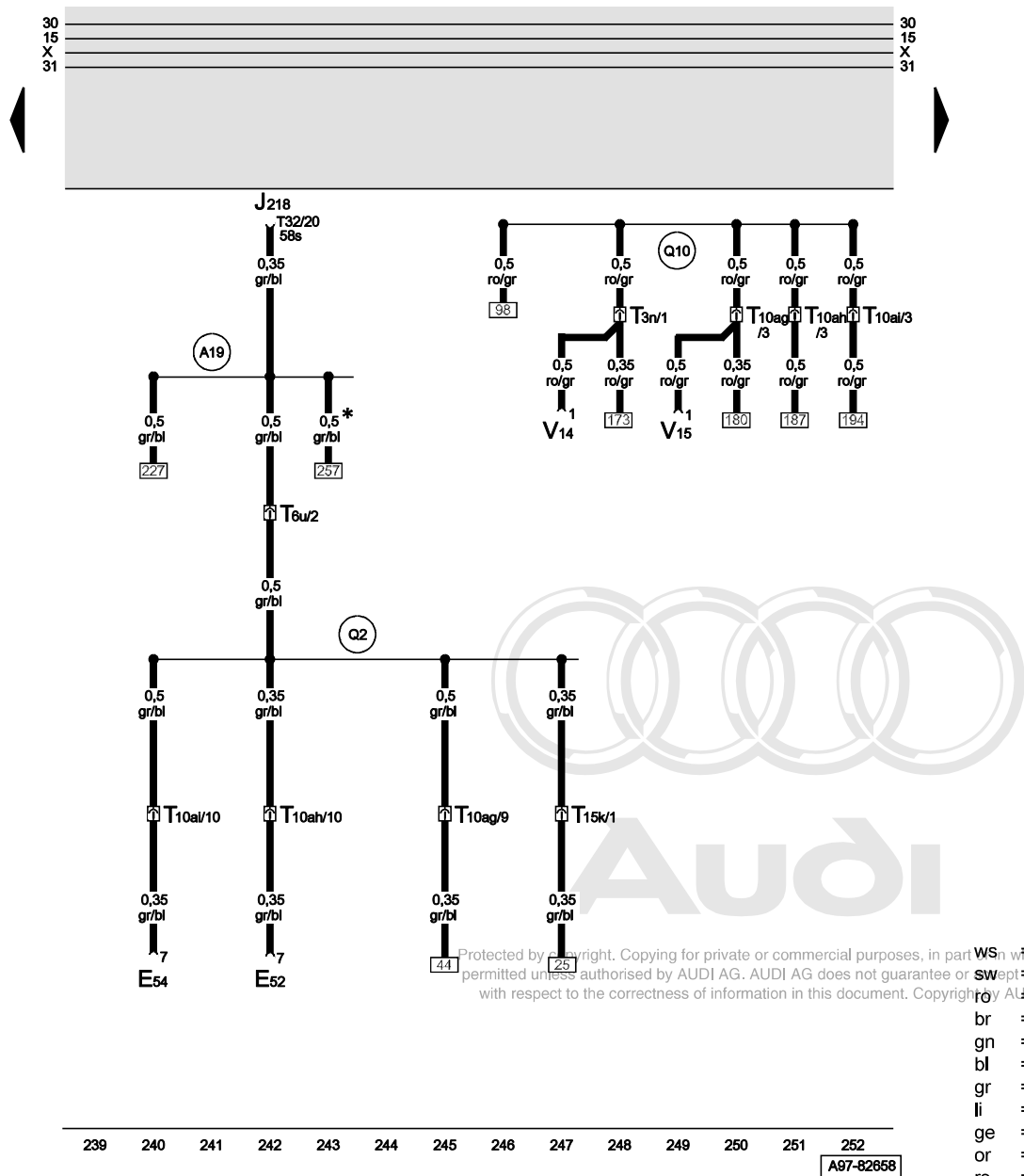
- F147 Vanity mirror contact switch, driver's side
- F148 Vanity mirror contact switch, front passenger's side
- L31 Vanity mirror light bulb
- T3p 3-pin connector, on reading lamp, front right
- T4e 4-pin connector, on reading lamp, front left
- T15t 15-pin connector, grey, connector point left A-pillar
- W13 Front passenger reading lamp
- W19 Reading lamp, driver's side

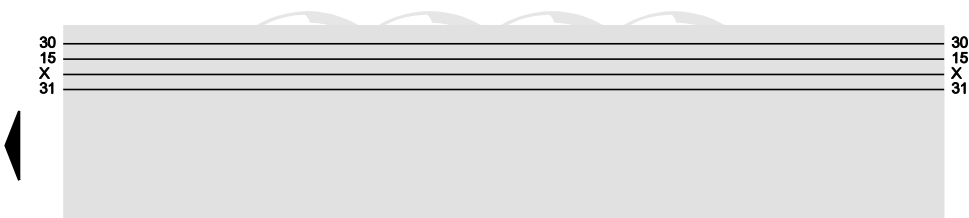
- (44) Earth point, lower part of left A-pillar
- (178) Earth connection, in sliding sunroof wiring harness
- (B129) Connection (interior light), in interior wiring harness



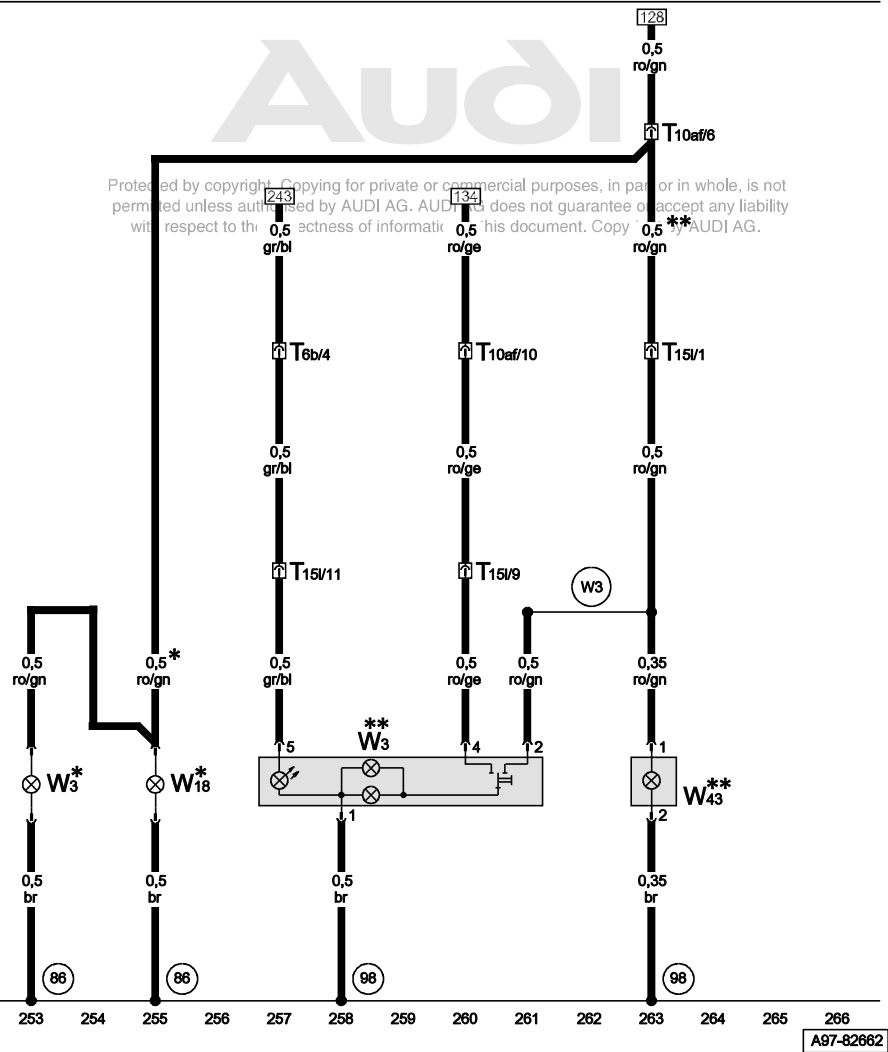
Connection 58s

- E52 Rear left electric window switch (in door)
- E54 Rear right electric window switch (in door)
- J218 Combi-processor in dash panel insert
- T3n 3-pin connector, red, connector point, A pillar, left
- T6u 6-pin connector, grey, connector point, A pillar, left
- T10ag 10-pin connector, red, connector point, A pillar, right
- T10ah 10-pin connector, red, in B pillar, left
- T10ai 10-pin connector, red, in B pillar, right
- T15k 15-pin connector, red, connector point, A pillar, left
- T32 32-pin connector, blue, on dash panel insert
- V14 Electric window motor, left
- V15 Electric window motor, right
- Q10 Connection (58s), in dash panel wiring harness (switch illumination)
- Q2 Positive (+) connection (58), in electric window wiring harness
- Q10 Positive (+) connection (87), in electric window/central locking and door contact switch wiring harness
- \* Avant models





Protected by copyright. Copying for private or commercial purposes, in part or in whole, is not permitted unless authorized by AUDI AG. AUDI AG does not guarantee or accept any liability with respect to the correctness of information in this document. Copying by AUDI AG.



A97-82662

Luggage compartment lights

- T6b 6-pin connector, white, connector point, A pillar, left
- T10af 10-pin connector, purple, connector point, A pillar, left
- T15l 15-pin connector, black, in luggage compartment
- W3 Luggage compartment light
- W18 Luggage compartment light, left
- W43 Rear interior light

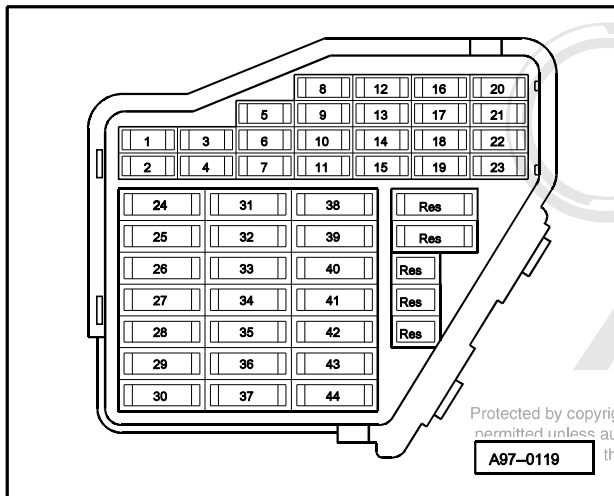
- (86) Earth connection -1-, in rear wiring harness
- (98) Earth connection, in tailgate/bootlid wiring harness
- (W3) Connection, in rear wiring harness
- \* Saloon models
- \*\* Avant models

- ws = white
- sw = black
- ro = red
- br = brown
- gn = green
- bl = blue
- gr = grey
- li = purple
- ge = yellow
- or = orange
- rs = pink

**Ultra-sonic parking aid, rear**

From model year 2000

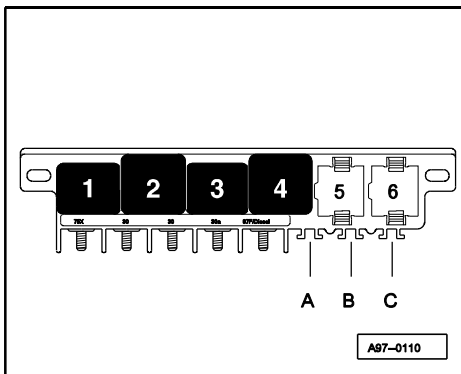
**Fuse box**



Protected by copyright. Copying for private or commercial purposes, in part or in whole, is not permitted unless authorised by AUDI AG. AUDI AG does not guarantee or accept any liability for the correctness of information in this document. Copyright by AUDI AG.

From fuse number 23 onwards the fuses in the fuse box are designated as 223 etc. in the Current Flow Diagram.

**Micro-central electrics**



**Fuse colours:**

30 A - green