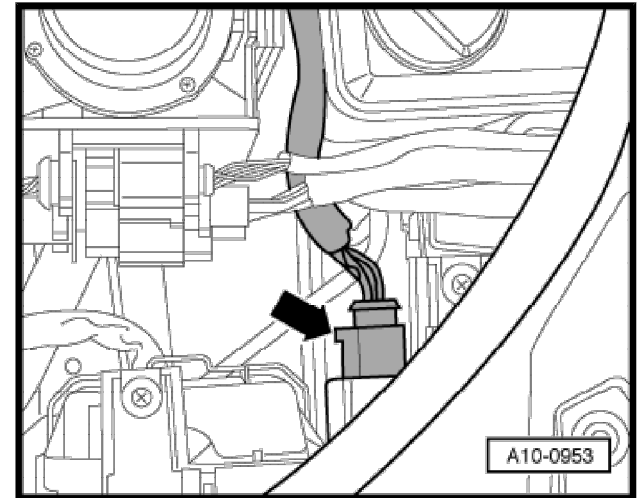


- Unplug electrical connector -arrow- for headlights on both sides.

Remove both headlights:

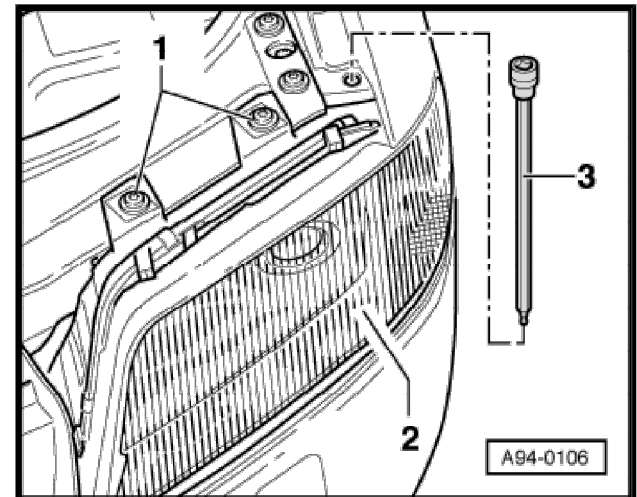


- Unscrew the two bolts on top -1- and another one bolt at bottom of headlight.

 **Note**

Use a 1/4" TORX socket with extension for the bottom bolt -3-.

- Swing the headlight to the centre and remove from body from the front.



- Screw in special tool -3369- into openings at left and right.
- Unscrew bolts from impact damper -arrows- (left and right).
- Pull lock carrier carefully to front.

