

Audi > C6 > 2005-2008
Electrical Equipment
94 - Removal and Installation

.

Parking Aid System

- ⇒ [Parking Aid Control Module, Sedan](#)
- ⇒ [Parking Aid Control Module, Avant](#)
- ⇒ [Front Parking Aid Alarm, 8-Channel](#)
- ⇒ [Front Parking Aid Alarm, Sedan through MY 2006](#)
- ⇒ [Rear Parking Aid Alarm, Sedan from MY 2007](#)
- ⇒ [Rear Parking Aid Alarm, Avant](#)
- ⇒ [Front Parking Aid Sensors](#)
- ⇒ [Rear Parking Aid Sensors](#)

.

Parking Aid Control Module, Sedan

Removing

- Remove right luggage compartment side trim cover.

- Release clip - **arrow A** - and swivel Parking Aid Control Module J446 - **item 4** - out of mounting frame - **arrow B** - .
- Disconnect electrical harness connectors - **1 3** - .

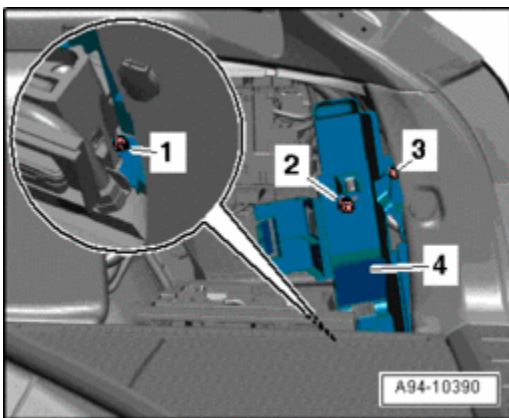
Note:

- ◆ *Shown in illustration from side with trim removed.*

Installing

Installation is performed in the reverse order of removal.

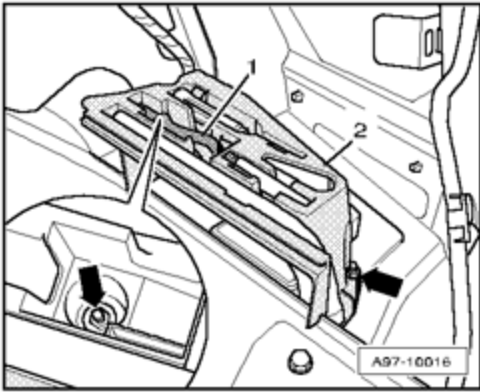
.

Parking Aid Control Module, Avant**Removing**

- Remove right luggage compartment side trim cover.

Vehicles with car jack bracket:

- Remove car jack from bracket.
- Remove nuts - **1** - and - **2** - and bolt - **3** - .
- Remove car jack bracket.

**All:**

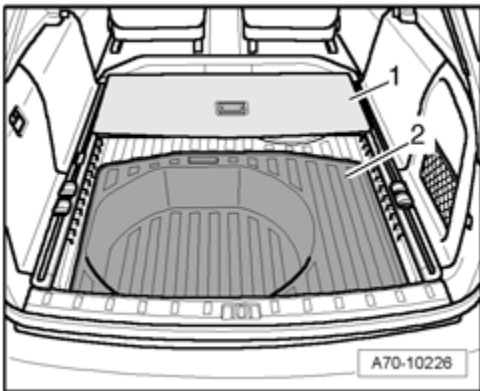
- Remove towing eye - **1** - from mount for vehicle tool kit - **2** - .

Vehicles without bracket for control modules:

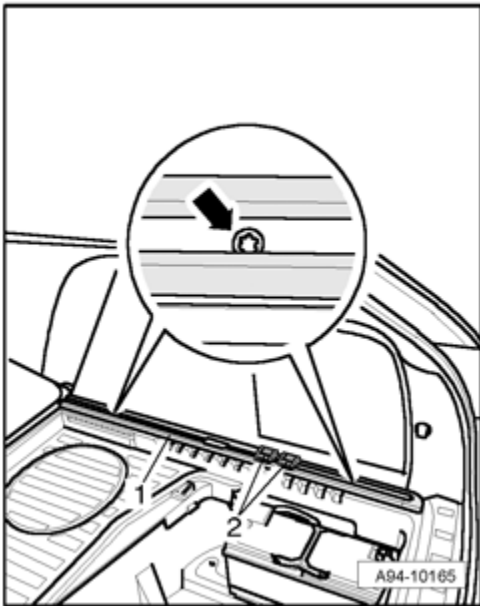
- Remove nut - **right arrow** - .

All:

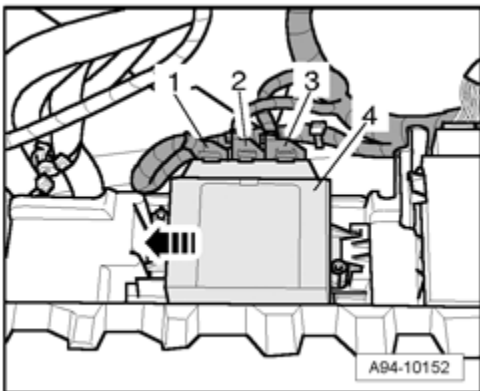
- Remove nut - **left arrow** - and remove mount for vehicle tool kit.



- Remove luggage compartment storage area floor - **1** - and cover for spare wheel - **2** - .



- Push tie-downs - **2** - together in retaining track - **1** - so that they do not rest above bolts.
- Remove screws - **arrow** - and remove retaining track.
- Disengage side luggage compartment trim in lower area ⇒ Body Interior - Repair Group 70 .



- Release clip - **arrow** - and swivel Parking Aid Control Module J446 - **item 4** - out of mounting frame.
- Disconnect electrical harness connectors - **1 3** - .

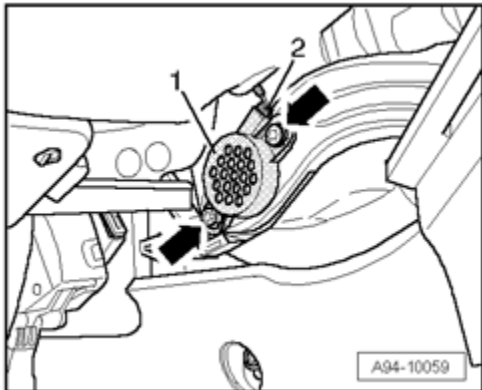
Installing

Installation is performed in the reverse order of removal.

Tightening torques

Front Parking Aid Alarm, 8-Channel

Component location: At instrument panel carrier behind storage compartment on drivers side.



Removing

CAUTION!

- ◆ **Switch off all electrical components.**
- ◆ **Switch ignition off and remove ignition key.**

- Remove lower instrument panel cover on drivers side ⇒ Body Interior - Repair Group 68 .
- Disconnect electrical harness connector - **2** - .
- Remove bolts - **arrows** - and remove Front Parking Aid Warning Buzzer H22 - **item 1** - .

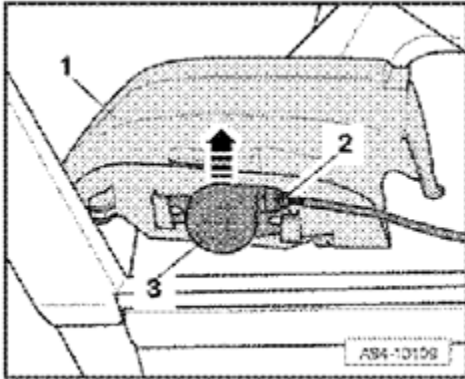
Installing

Installation is performed in reverse order of removal, noting the following:

- Install lower instrument panel cover on drivers side ⇒ Body Interior - Repair Group 68 .

.

Front Parking Aid Alarm, Sedan through MY 2006



Removing

Component location: At belt webbing guide, left rear.

CAUTION!

- ◆ **Switch off all electrical components.**
- ◆ **Switch ignition off and remove ignition key.**

- Remove C-pillar trim ⇒ Body Interior - Repair Group 70 .
- Pull out Rear Parking Aid Warning Buzzer H15 - **item 3** - at left belt webbing guide - **1** - in - **direction of arrow** - .
- Disconnect electrical harness connector - **2** - .

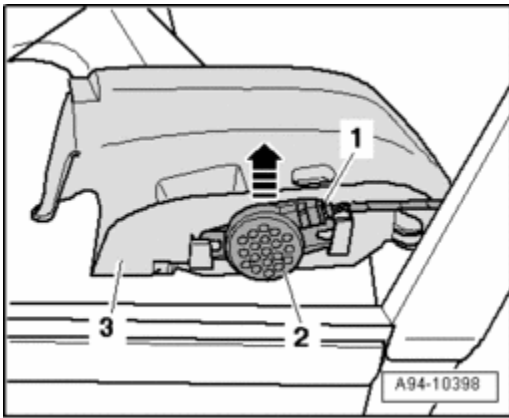
Installing

Installation is performed in reverse order of removal, noting the following:

- Install C-pillar trim ⇒ Body Interior - Repair Group 70 .

.

Rear Parking Aid Alarm, Sedan from MY 2007



Removing

Component location: At belt webbing guide, right rear.

CAUTION!

- ◆ **Switch off all electrical components.**
- ◆ **Switch ignition off and remove ignition key.**

- Remove C-pillar trim ⇒ Body Interior - Repair Group 70 .
- Pull out Rear Parking Aid Warning Buzzer H15 - **item 2** - at right belt webbing guide - **3** - in - **direction of arrow** - .
- Disconnect electrical harness connector - **1** - .

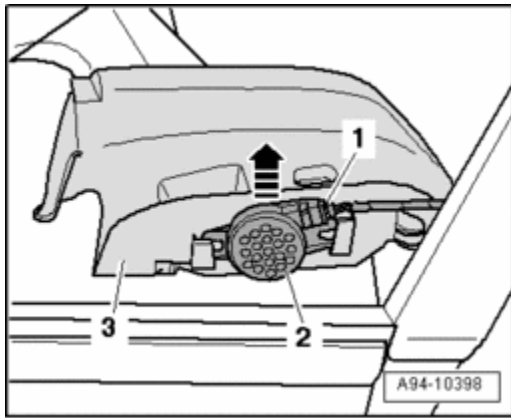
Installing

Installation is performed in reverse order of removal, noting the following:

- Install C-pillar trim ⇒ Body Interior - Repair Group 70 .

.

Rear Parking Aid Alarm, Avant



Removing

CAUTION!

- ◆ **Switch off all electrical components.**
- ◆ **Switch ignition off and remove ignition key.**

- Remove side trim luggage compartment ⇒ Body Interior - Repair Group 70 .
- If necessary, remove insulation mat in area of Rear Parking Aid Warning Buzzer H15 .
- Pull out Rear Parking Aid Warning Buzzer H15 - **item 2** - at right belt webbing guide - **3** - in - **direction of arrow** - .
- Disconnect electrical harness connector - **1** - .

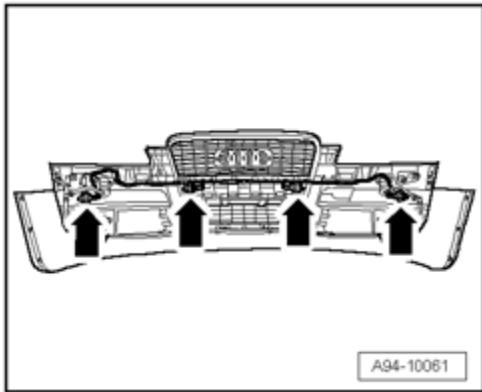
Installing

Installation is performed in reverse order of removal, noting the following:

- Install luggage compartment side trim ⇒ Body Interior - Repair Group 70 .

.

Front Parking Aid Sensors

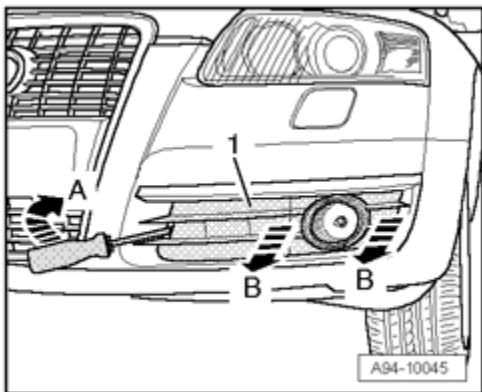


Component location: In bumper - **arrows** - .

Removing

Inner sensor:

- Remove front bumper cover ⇒ Body Exterior - Repair Group 63 .

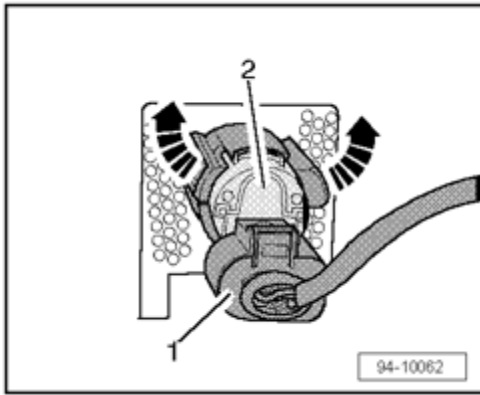


Outer sensor - vehicles with gasoline engine:

- Release clip using a screwdriver - **arrow A** - and remove air inlet grille - **1** - at lower part of bumper cover - **arrows B** - .

Outer sensor - vehicles with 10-cyl. engine:

- Remove front bumper cover ⇒ Body Exterior - Repair Group 63 .

**All:**

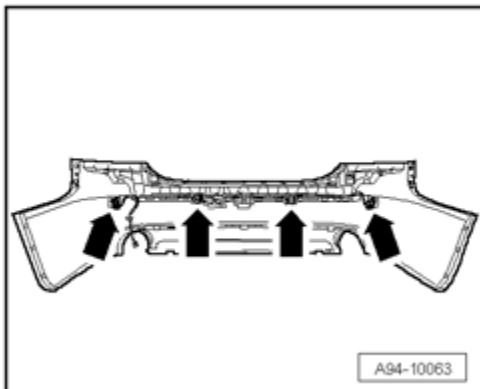
- Disconnect electrical harness connector - **1** - at sensor.
- Push both catches aside - **arrows** - and press sensor - **2** - through from outside toward inside.

Installing

Installation is performed in reverse order of removal, noting the following:

- Install front bumper cover ⇒ Body Exterior - Repair Group 63 .

.

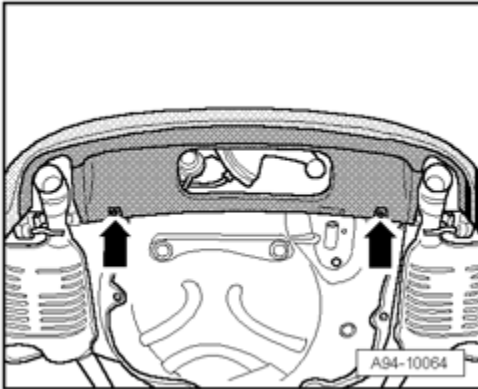
Rear Parking Aid Sensors

Component location: In bumper - **arrows** - .

Note:

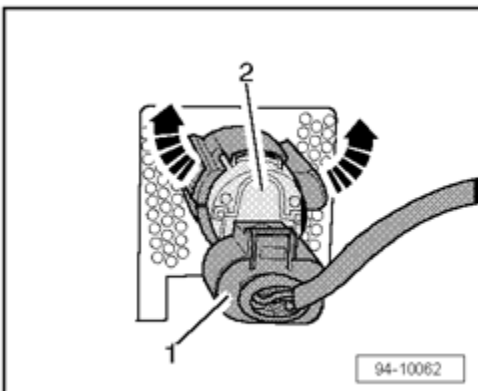
- ◆ *Illustration shows bumper removed for greater clarity.*

- ◆ Sensors can be removed without removing rear bumper cover.



Removing

- Remove bolts - **arrows** - .



- Reach behind bumper cover.
- Disconnect electrical harness connector - **1** - at sensor.
- Push both catches aside - **arrows** - and press sensor - **2** - through from outside toward inside.

Installing

Installation is performed in reverse order of removal, noting the following:

- Install rear bumper cover ⇒ Body Exterior - Repair Group 63 .

Tightening torque

Component	Nm
-----------	----

Bumper cover to bracket

1.5

Copyright © 2008
Audi of America,

Inc. and Bentley Publishers. All rights reserved. Last processed: