

Audi > C6 > 2005-2008
Body Interior
70 - Removal and Installation

.

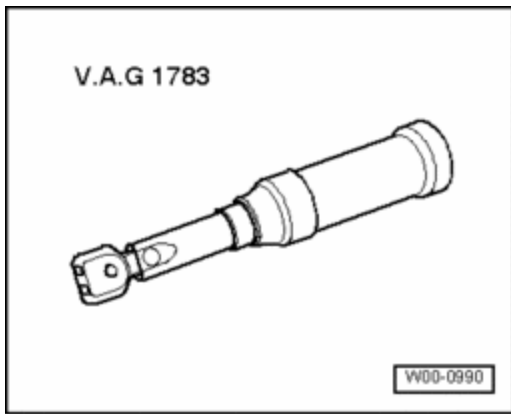
Rear Door Trim

- ⇒ [Rear Door Trim](#)
- ⇒ [Insulation](#)
- ⇒ [Armrest](#)
- ⇒ [Window Regulator Switch](#)
- ⇒ [Inside Door Release Mechanism](#)
- ⇒ [Treble Speaker](#)
- ⇒ [Cover](#)
- ⇒ [Trim Molding](#)
- ⇒ [Inner Door Trim Reflector](#)
- ⇒ [Treble Speaker Trim](#)
- ⇒ [Door Warning Lamps](#)
- ⇒ [Entry Lamp](#)
- ⇒ [Door Window Sun Shade](#)
- ⇒ [Sun Shade Retainer](#)

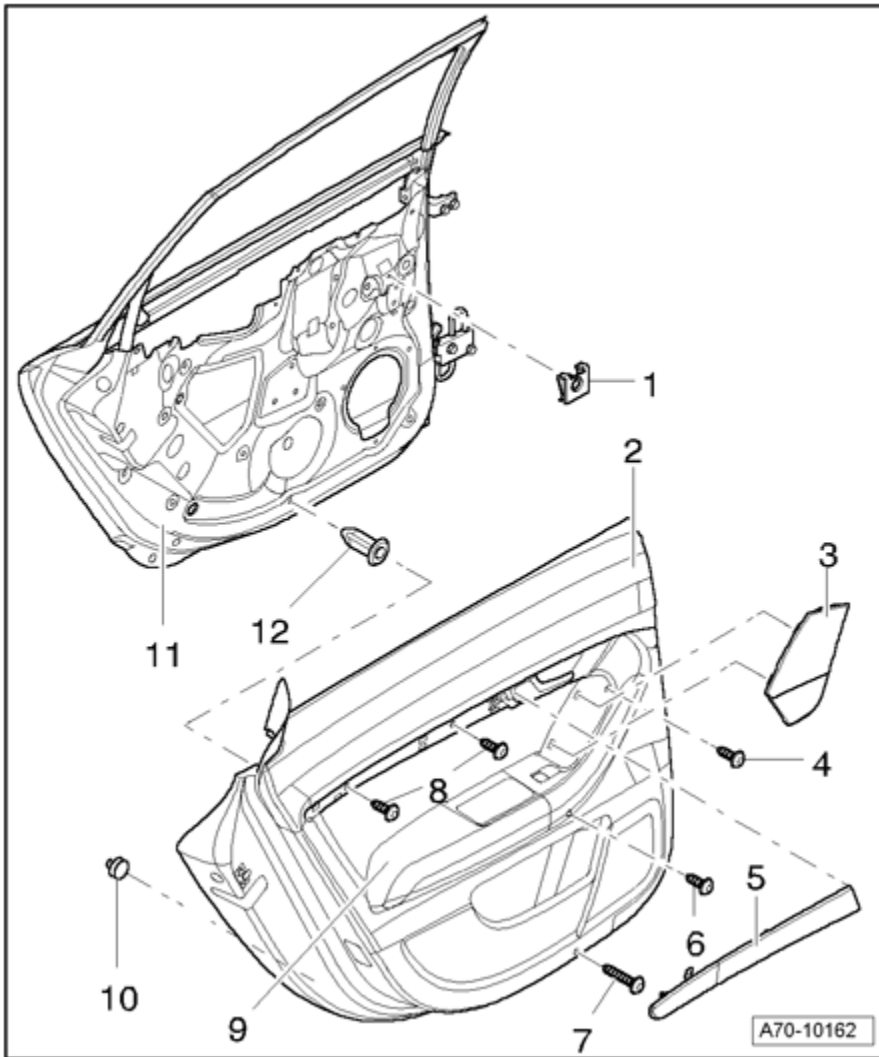
.

Rear Door Trim

Special tools, testers and auxiliary items required



◆ Torque Wrench V.A.G 1783



1 - Spring nuts (Qty. 4)

2 - Door Trim

◆ Removing

- Unclip treble speaker trim - **3** - .
- Remove decorative panel - **5** - ⇒ [Trim Molding](#) .
- Remove screws - **4** - and - **8** - (Qty. 2).
- Remove screw - **6** - on underside of armrest - **9** - with long screwdriver.
- Remove screw - **7** - on underside of door trim - **2** - .
- Unclip lower door trim - **2** - beginning at outer side.
- Pry trim - **2** - up approx. 20 cm out of door shell - **11** - .
- Disconnect connector on treble speaker.
- Disengage interior door mechanism release ⇒ [Release, Disengaging](#) .
- Disconnect connector on door control module ⇒ [Disconnect connector on door control module](#) .

◆ Installing

To install, perform the steps used in removal in reverse order. When doing so, note the following:

- Ensure spring nuts - **1** - (Qty. 4) and expanding nuts - **12** - (Qty. 4) are clipped in.
- Ensure securing clips - **10** - (8x) are clipped into door trim. Replace damaged clips ⇒ [Securing clip, removing door trim](#) .

3 - Treble speaker panel

4 - Bolt

- ◆ Tightening specification 2 Nm

5 - Trim panel

6 - Bolt

- ◆ Tightening specification 2 Nm

7 - Bolt

- ◆ Tightening specification 2 Nm

8 - Screws, (Qty. 2)

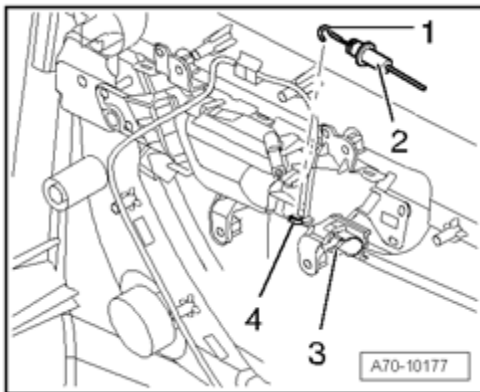
- ◆ Tightening specification 2 Nm

9 - Armrest

10 - Securing clips (Qty. 8)

11 - Door shell

12 - Expanding nuts (Qty. 4)

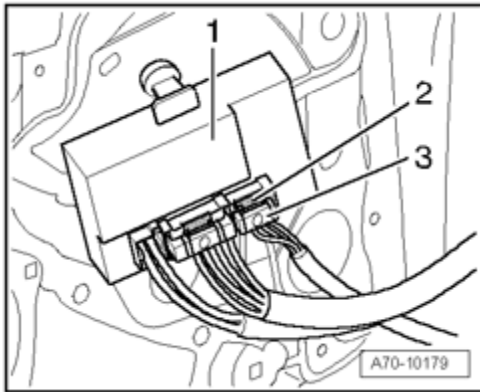


Release, Disengaging

- Pull release cable - 2 - from guide - 3 - .
- Disengage release on hook - 1 - from eye - 4 - .
- Disconnect connector to treble speaker.

Note:

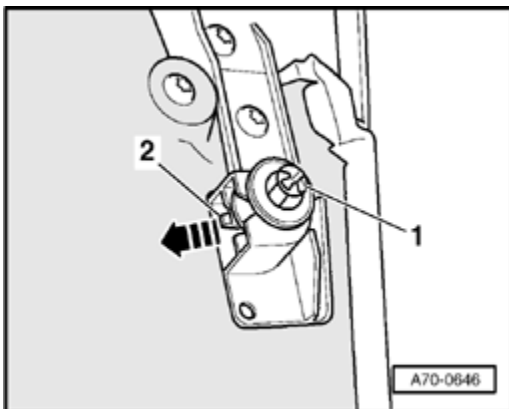
- ◆ *When installing, ensure hook - 4 - points downward.*



Disconnect connector on door control module

- Remove retainer - 2 - and remove connector - 3 - from control module - 1 - .

.

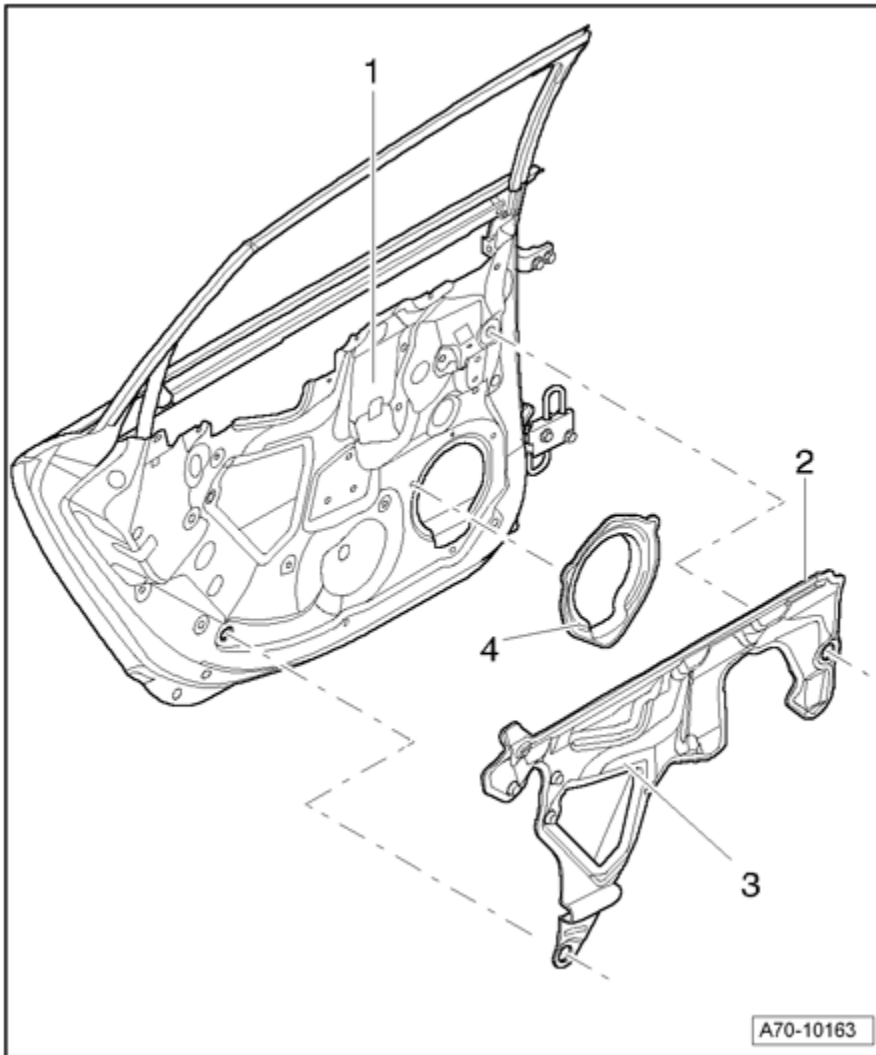


Securing clip, removing door trim

- Press catches - 2 - and pull out clip - 1 - in direction of arrow.

.

Insulation

**1 - Door shell****2 - Peripheral adhesive sealing material****3 - Insulation****Note:**

- ◆ *Ensure that insulation is not damaged during removal.*
- ◆ Removing
 - Remove door trim ⇒ [Rear Door Trim](#) .
 - Carefully remove insulation - **3** - from door shell - **1** - .
- ◆ Installing

Note:

- ◆ *Replace insulation if adhesive sealing material is damaged or dirty.*
- Press insulation - **3** - onto door shell.

4 - Bass speaker insulation**Note:**

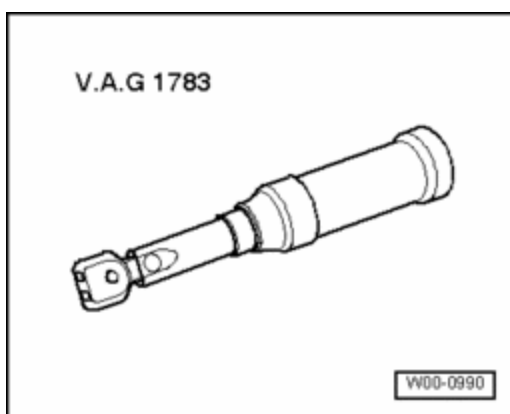
- ◆ *Ensure that insulation is not damaged during removal.*
- ◆ Removing
- Remove bass speaker ⇒ Communication - Repair Group 91 .
- Carefully remove insulation - **4** - from door shell - **1** - .

◆ Installing

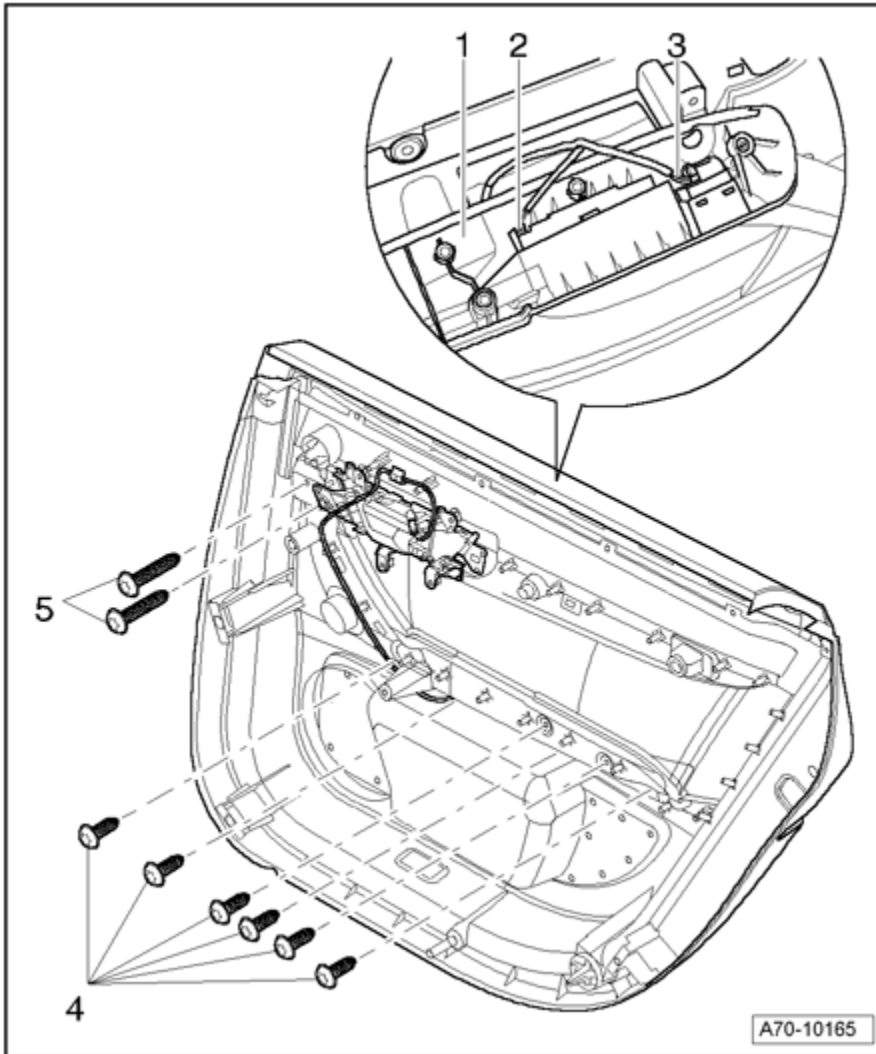
Note:

- ◆ *Replace insulation if adhesive sealing material is damaged or dirty.*
- Press insulation - **4** - onto door shell.

.

Armrest**Special tools, testers and auxiliary items required**

- ◆ Torque Wrench V.A.G 1783



1 - Armrest

◆ Removing

- Remove door trim ⇒ [Rear Door Trim](#) .
- Remove screws - **4** - (Qty. 6) and - **5** - (Qty. 2).
- Tip armrest - **1** - down.
- Disconnect connectors - **2** - and - **3** - .

◆ Installing

To install, perform the steps used in removal in reverse order.

2 - Ashtray light connector

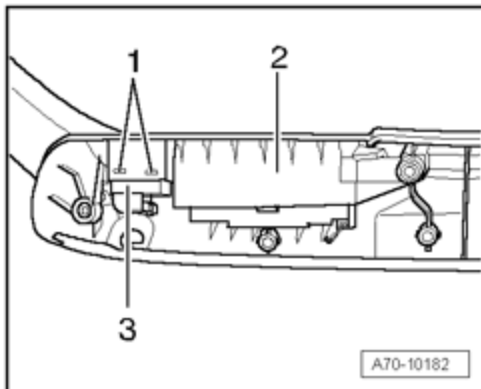
3 - Window regulator switch connector**4 - Screws (Qty. 6)**

- ◆ Tightening specification 1 Nm

5 - Screws, (Qty. 2)

- ◆ Tightening specification 2.5 Nm

.

Window Regulator Switch

◆ Removing

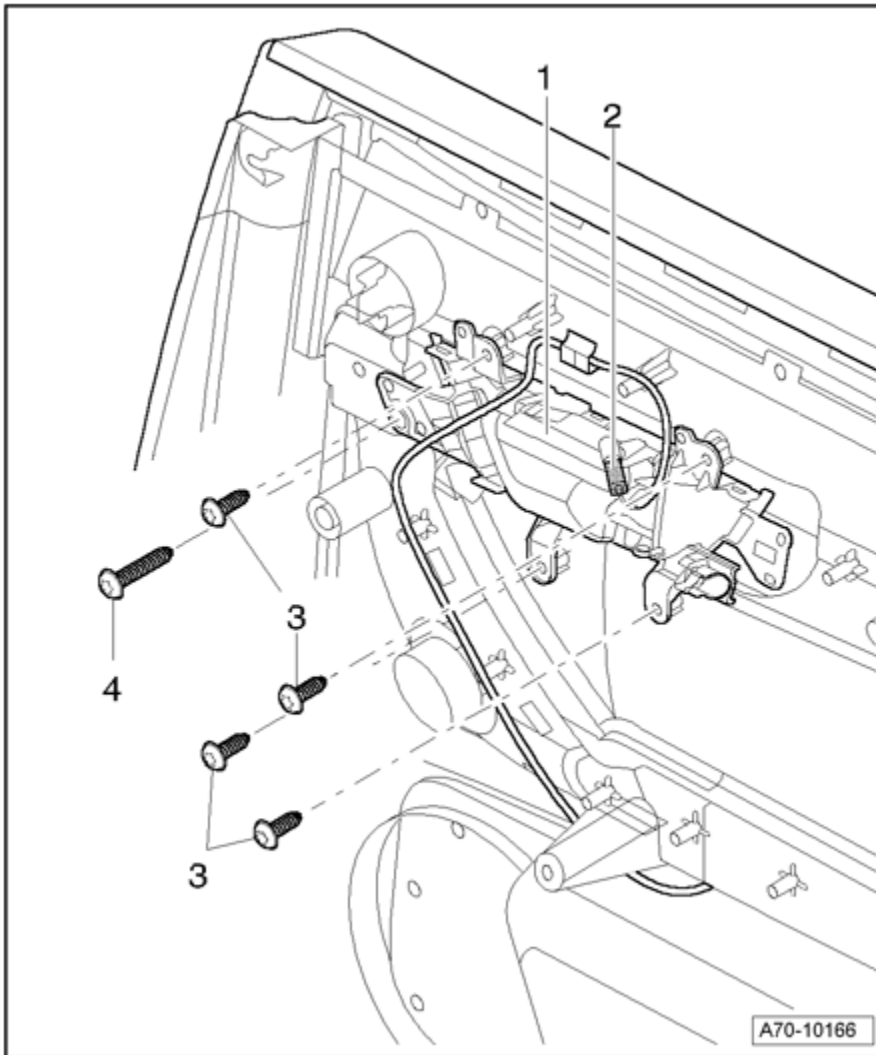
- Remove door trim ⇒ [Rear Door Trim](#) .
- Remove armrest - **2** - ⇒ [Armrest](#) .
- Pry window regulator switch - **3** - out at front and back at tabs - **1** - (Qty. 4) with a screwdriver.

◆ Installing

To install, perform the steps used in removal in reverse order.

.

Inside Door Release Mechanism



1 - Interior door mechanism

◆ Removing

- Remove door trim ⇒ [Rear Door Trim](#) .
- Remove door handle lighting connector - 2 - .
- Remove screws - 3 - (Qty. 4) and - 4 - .
- Remove interior door mechanism - 1 - from inside.

◆ Installing

To install, perform the steps used in removal in reverse order.

2 - Door handle lighting connector

3 - Screws (Qty. 4)

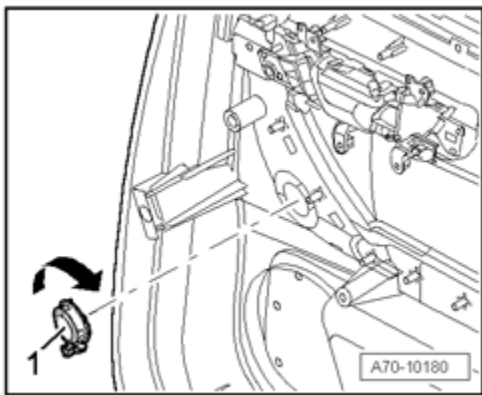
- ◆ Tightening specification 1 Nm

4 - Bolt

- ◆ Tightening specification 2.5 Nm

.

Treble Speaker



- ◆ Removing

- Remove door trim ⇒ [Rear Door Trim](#) .

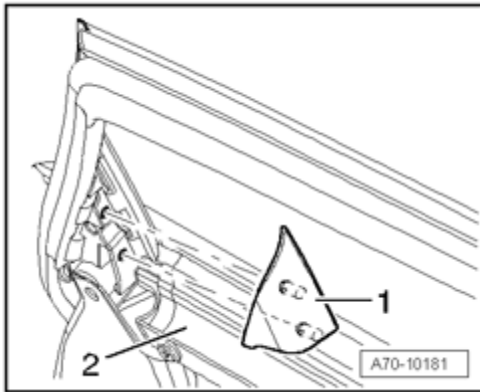
- Turn treble speaker - **1** - in direction of - **arrow** - out of bayonet catch and remove speaker.

- ◆ Installing

To install, perform the steps used in removal in reverse order.

.

Cover



◆ Removing

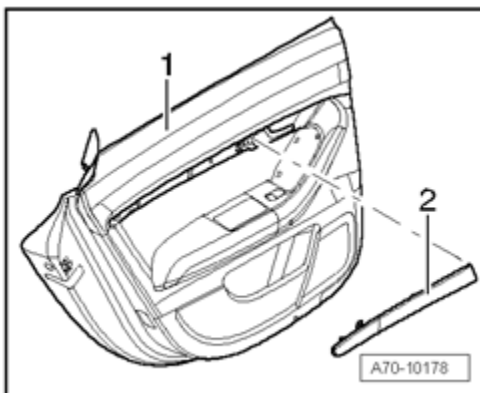
- Remove door trim ⇒ [Rear Door Trim](#) .
- Unclip cover - 1 - from door shell - 2 - .

◆ Installing

To install, perform the steps used in removal in reverse order.

.

Trim Molding



◆ Removing

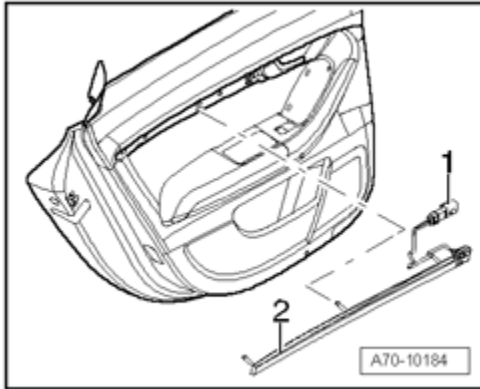
- Carefully remove trim panel - 2 - at front end.
- Unclip trim panel up to back end.

◆ Installing

To install, perform the steps used in removal in reverse order.

.

Inner Door Trim Reflector



◆ Removing

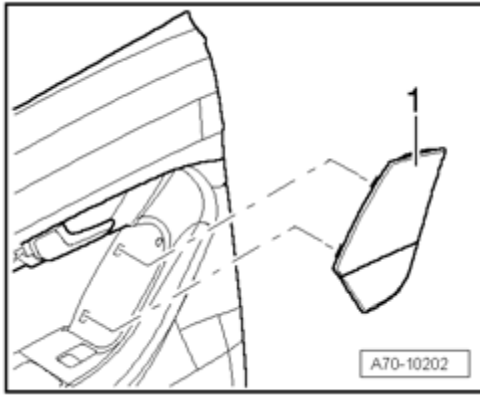
- Remove trim panel ⇒ [Trim Molding](#) .
- Unclip light reflector - **2** - .
- Disconnect connector - **1** - .

◆ Installing

To install, perform the steps used in removal in reverse order.

.

Treble Speaker Trim



◆ Removing

CAUTION!

The trim must be unclipped forward. Otherwise the trim could be damaged.

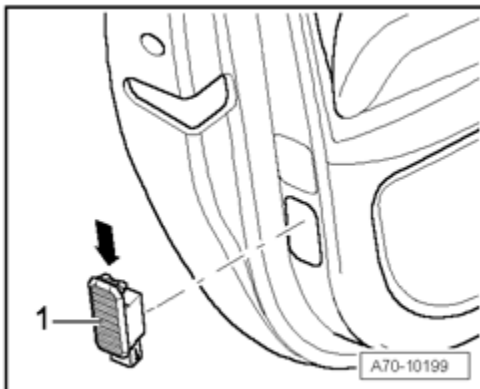
- Carefully pry the trim - 1 - forward using a screwdriver.
- Remove the trim forward.

◆ Installing

To install, perform the steps used in removal in reverse order.

.

Door Warning Lamps



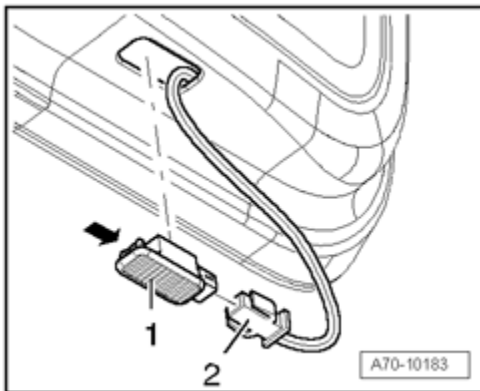
◆ Removing

- Insert screwdriver in direction of - **arrow** - and pry off door warning light - **1** - .
 - For active door warning light: Pull door warning light with cable outward and remove connector.
- ◆ Installing

To install, perform the steps used in removal in reverse order.

.

Entry Lamp



◆ Removing

- Insert screwdriver in direction of arrow and pry off entry light - **1** - .
- Pull entry light with cable outward.
- Remove connector - **2** - .

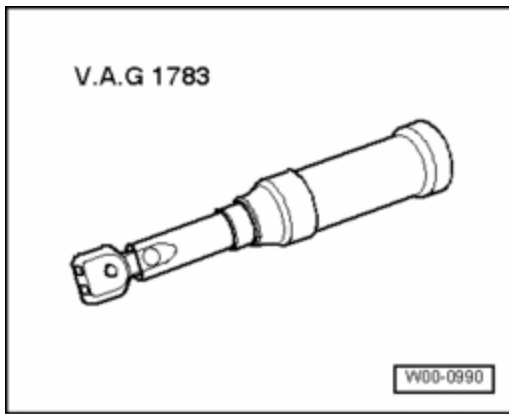
◆ Installing

To install, perform the steps used in removal in reverse order.

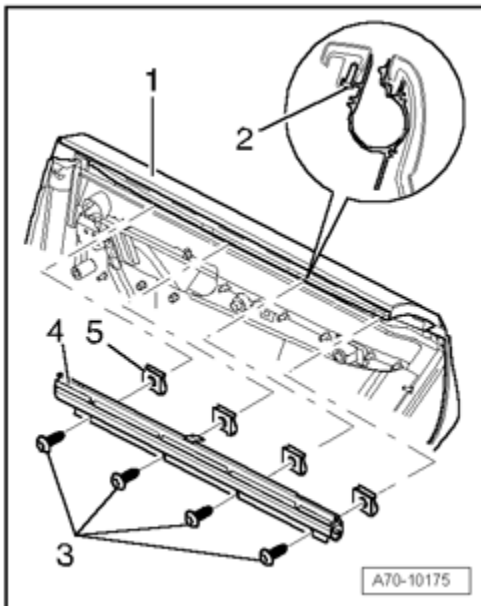
.

Door Window Sun Shade

Special tools, testers and auxiliary items required



◆ Torque Wrench V.A.G 1783



◆ Removing

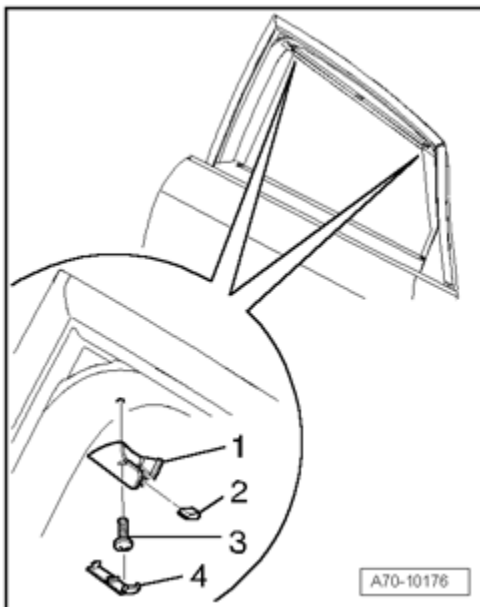
- Remove door trim ⇒ [Rear Door Trim](#) .
- Remove bolts - **3** - (4x).
- Remove bolts - **2** - (4x).
- Remove sun shade - **4** - .

◆ Installing

To install, perform the steps used in removal in reverse order. When doing so, note the following:

- Ensure spring nuts - **5** - (Qty. 4) are clipped into door trim - **1** - .
- ◆ Tightening specifications for bolts - **3** - : 2.5 Nm
- ◆ Tightening specifications for bolts - **2** - : 1 Nm

Sun Shade Retainer



◆ Removing

- Remove cover - **4** - .
- Remove screw - **3** - .
- Remove retainer - **1** - .

◆ Installing

To install, perform the steps used in removal in reverse order. When doing so, note the following:

Adjusting piece - **2** - serves as tolerance compensation and can be offset in retainer - **1** - if needed.

- ◆ Tightening specifications for bolt - **3** - : 1 Nm

Copyright © 2008 Audi of America, Inc. and Bentley Publishers. All rights reserved. Last processed: