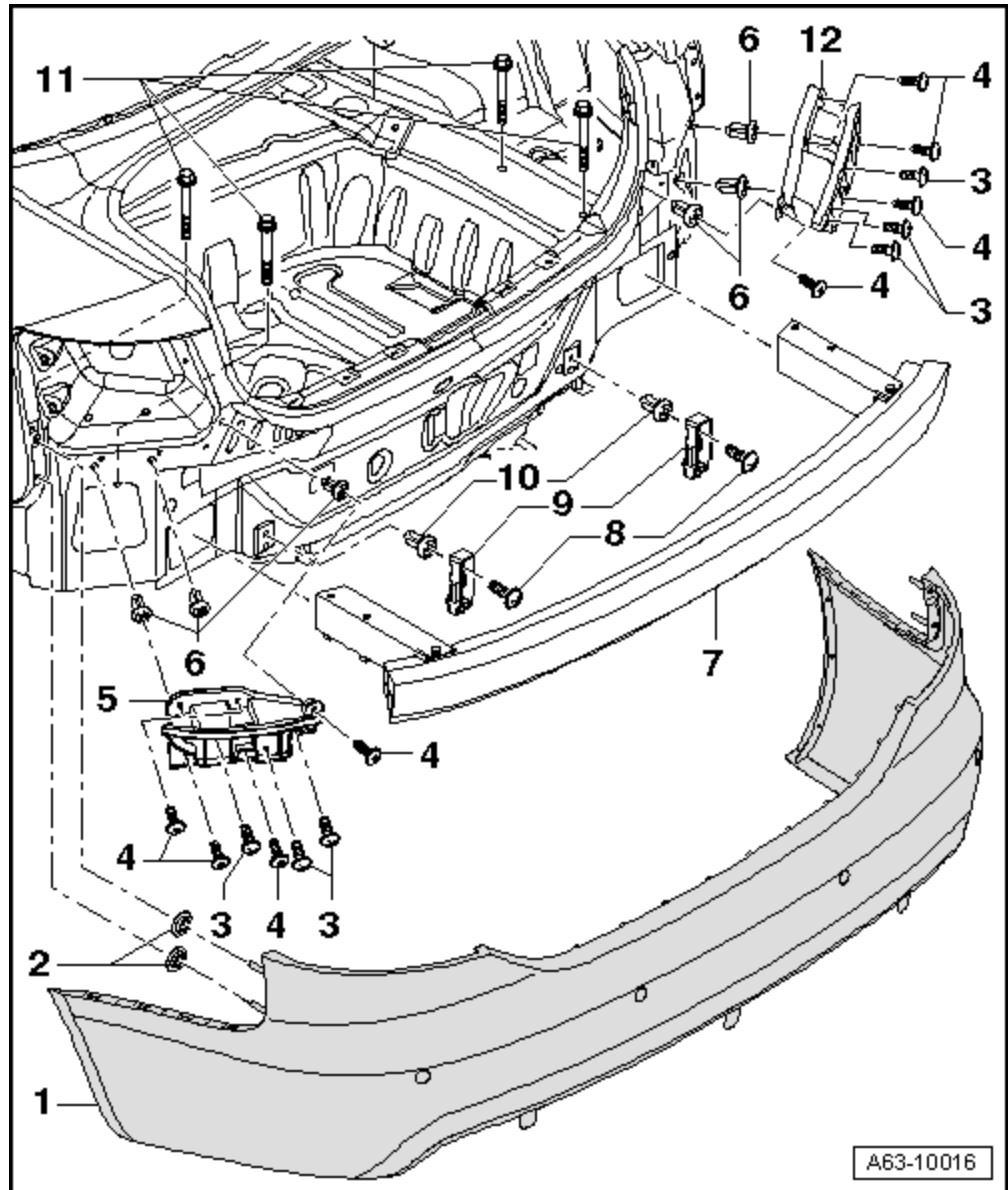


Rear Bumper Cover

Sedan, assembly overview

1 - Cover

- ⌘ Removing:
- ⌘ Remove side luggage compartment trim. → [Body Interior; Rep. Gr.70](#)
- ⌘ Disconnect electrical harness connectors to parking aid sensors at control module (under tail light, left side).
- ⌘ Remove special nuts -- (accessible from luggage compartment).
- ⌘ Remove combination nuts --.
- ⌘ Unscrew wheel housing liners in rear area.
- ⌘ Remove screws -1- at left and right on guide piece -5-
- ⌘ Remove screws -8-.
- ⌘ Unclip side-pieces on guide piece.
- ⌘ Remove cover.



2 - Grommet

- ⌘ Grommets must be slid onto bolts before installing cover.

3 - Metal screw

- ⌘ 1 Nm

4 - Metal screw

- ⌘ 1 Nm

5 - Left adjusting piece

6 - Clip

⌘ Inserted in rear cross panel.

7 - Cross member for bumper

– Remove cover -1- before removing.

8 - Metal screw

⌘ 1.5 Nm

9 - Strap**10 - Clip**

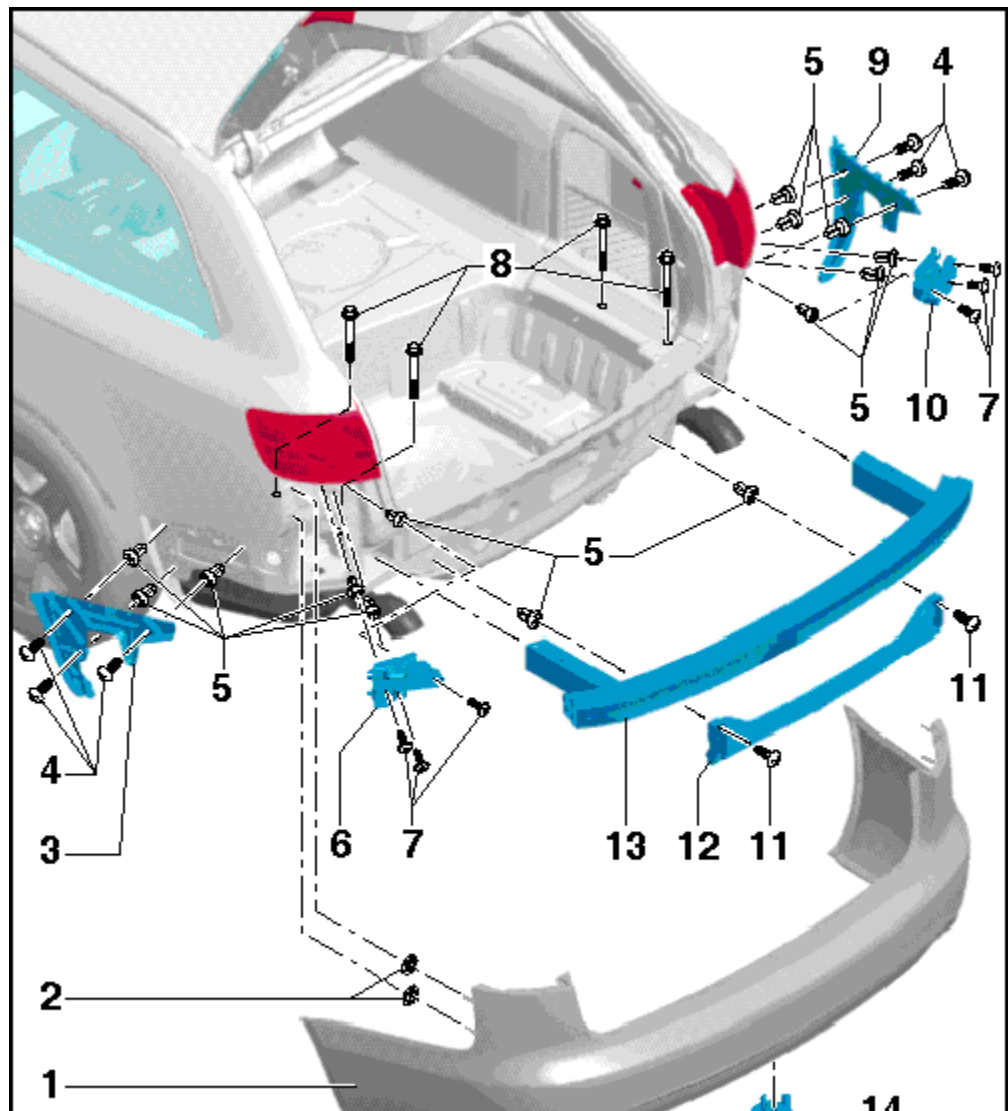
⌘ Insert in rear cross panel.

11 - Hex head bolt

⌘ 20 Nm

12 - Right adjusting piece**Avant, assembly overview****1 - Bumpers**

- ⌘ Removing:
- ⌘ Remove side luggage compartment trim. → **Body Interior; Rep. Gr.70**
- ⌘ Disconnect electrical harness connectors to parking aid sensors at control module (under tail light, left side) if necessary.
- ⌘ Remove special nuts (accessible from luggage compartment).
- ⌘ Remove combination nuts .
- ⌘ Unscrew wheel housing liners in cover area.
- ⌘ Remove left and right screws on guide piece → **Chapter.**
- ⌘ Unclip side-



pieces on sides
of guide piece.

⌘ Remove cover.

2 - Grommet

⌘ Slide cover onto threaded pins before assembling.

3 - Metal screw

⌘ 1 Nm

4 - Left/right adjusting piece

5 - Clip

⌘ Inserted in rear cross panel.

6 - Hex head bolt

⌘ 20 Nm

7 - Left/right guide piece

⌘ Removing → [Chapter](#)

8 - Combination screw

⌘ 1.5 Nm

9 - Cross member for bumper

10 - Strap

11 - Combination screw

⌘ 1.5 Nm

12 - Support piece

⌘ Removing and installing → [Fig.](#)

13 - Cross member for bumper

Allroad vehicles



Note

Only the differences from the standard bumper are described here

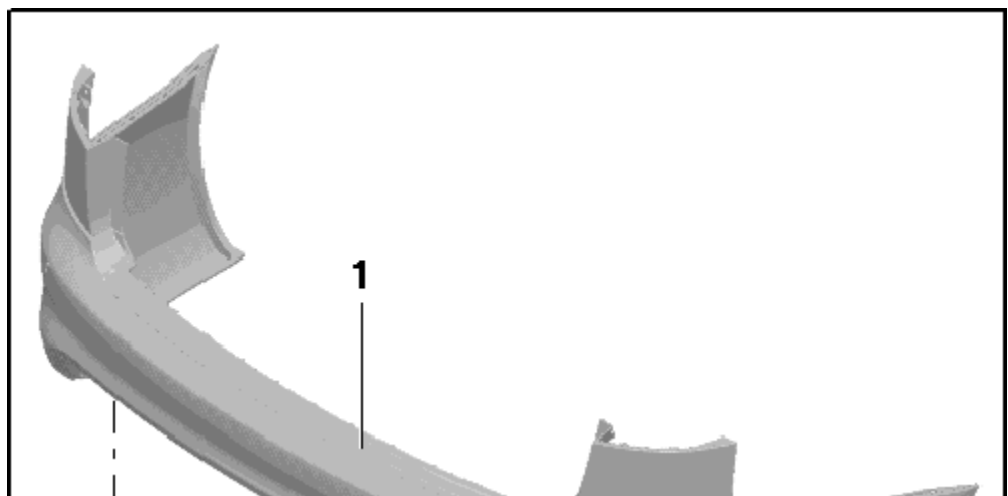
1 - Rear bumper

⌘ The removal and installation is done as with standard bumpers.

⌘ Must not be removed for removal of spoiler and impact protection.

2 - Screw

⌘ 2 Nm



3 - Screw

⌘ 2 Nm

4 - Spoiler

⌘ Bumper installed.

⌘ Remove bolts -2- and -5- and remove spoiler with impact protection from bumper.

5 - Screw

⌘ 2 Nm

6 - Impact protection

⌘ Bumper installed.

⌘ Spoiler removed.

⌘ Remove bolts -3- and -8- and remove impact protection from retainers.

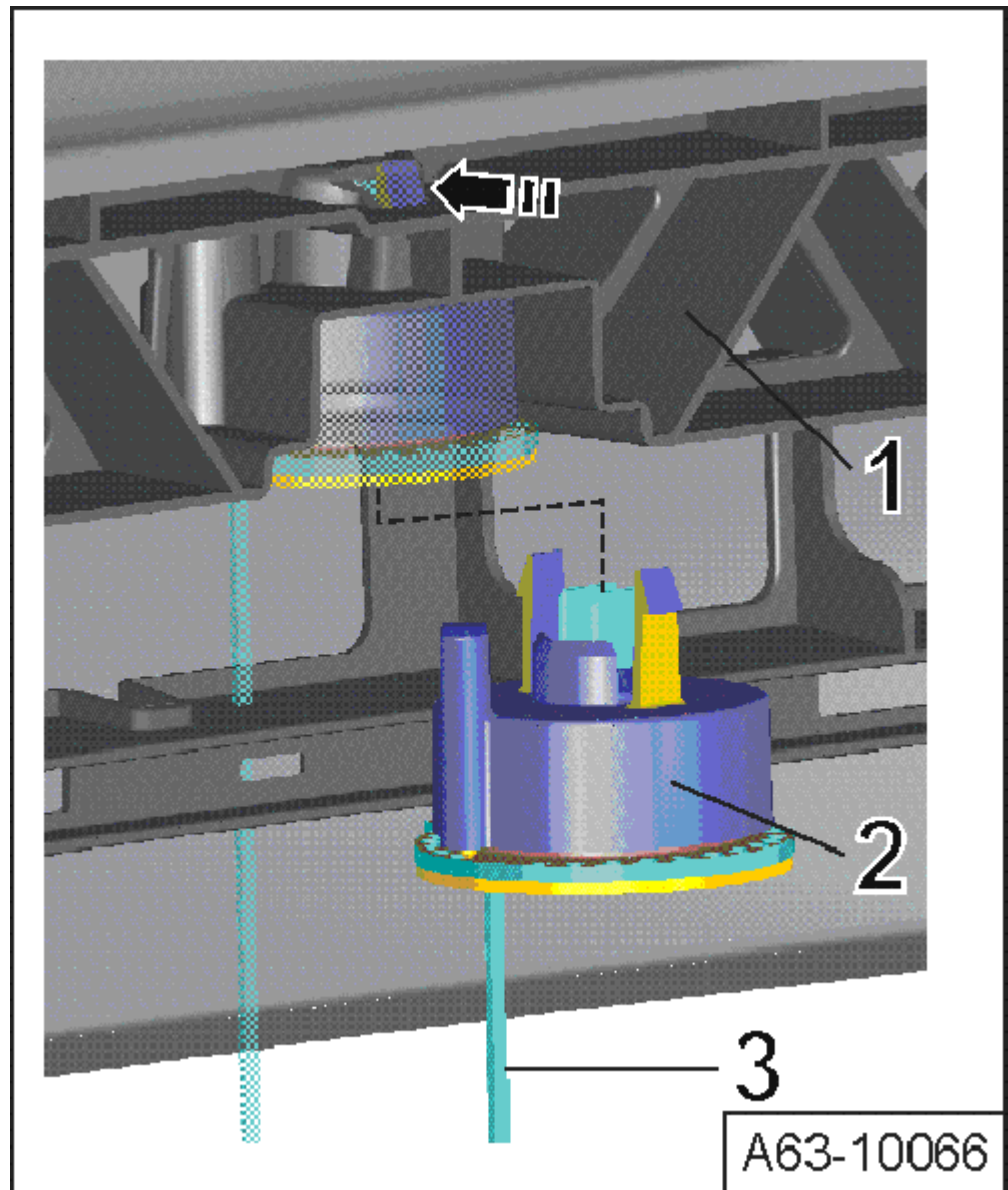
7 - Window**8 - Quick release screw**

⌘ 4 Nm

Installing support piece**Note**

Support piece must be installed only with a new bumper cover.

- To remove, press catch - arrow- to the side and pull support piece downward out of cover - 1-.
- Insert support piece -2- into cover as shown and let engage inside.
- Disengaging cord must be removed only when the cover is installed completely.



Disengaging support piece



WARNING

Never disengage support piece in the removed condition - danger of injury.

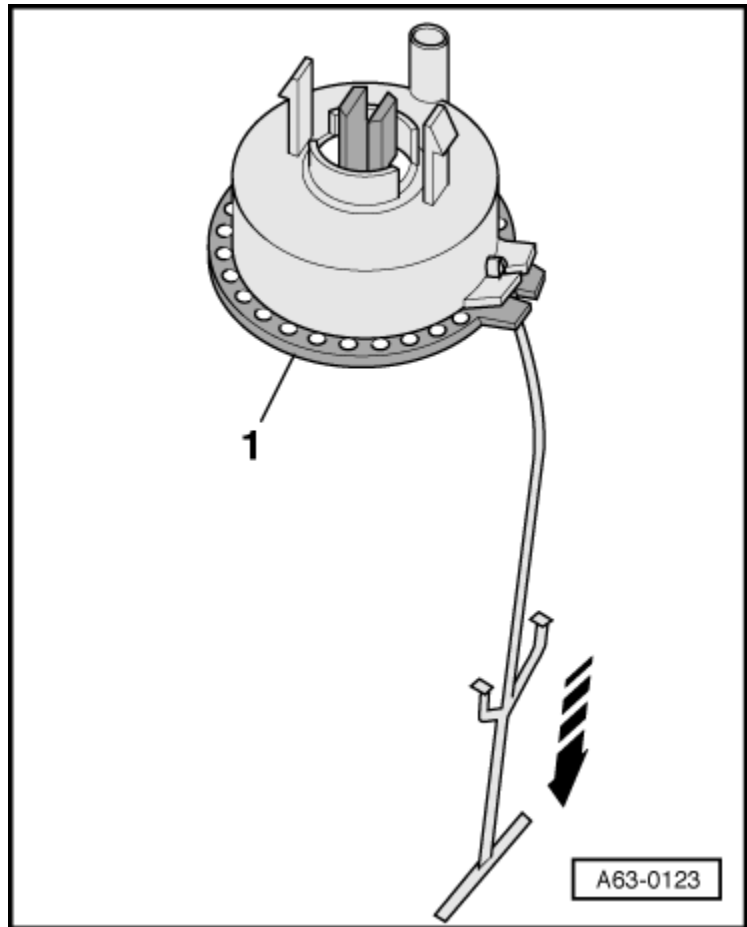
When re-installing the old bumper cover, the old support piece remains installed.

- When replacing the bumper cover, a new support piece must be clipped into the bumper cover from below.
- After completely installing bumper cover, disengage support piece by pulling on disengaging cord -arrow-.



Note

By pulling disengaging cord, tension is released from support piece and reinforces the bumper cover against the crossmember.



Bolting points

1 - Cover

- To remove, remove all bolts and nuts and remove cover towards back.

2 - Metal screw

- ⊗ 1 Nm

3 - Sheet metal screw

- ⊗ 1 Nm

4 - Cap nut

- ⊗ 4 Nm

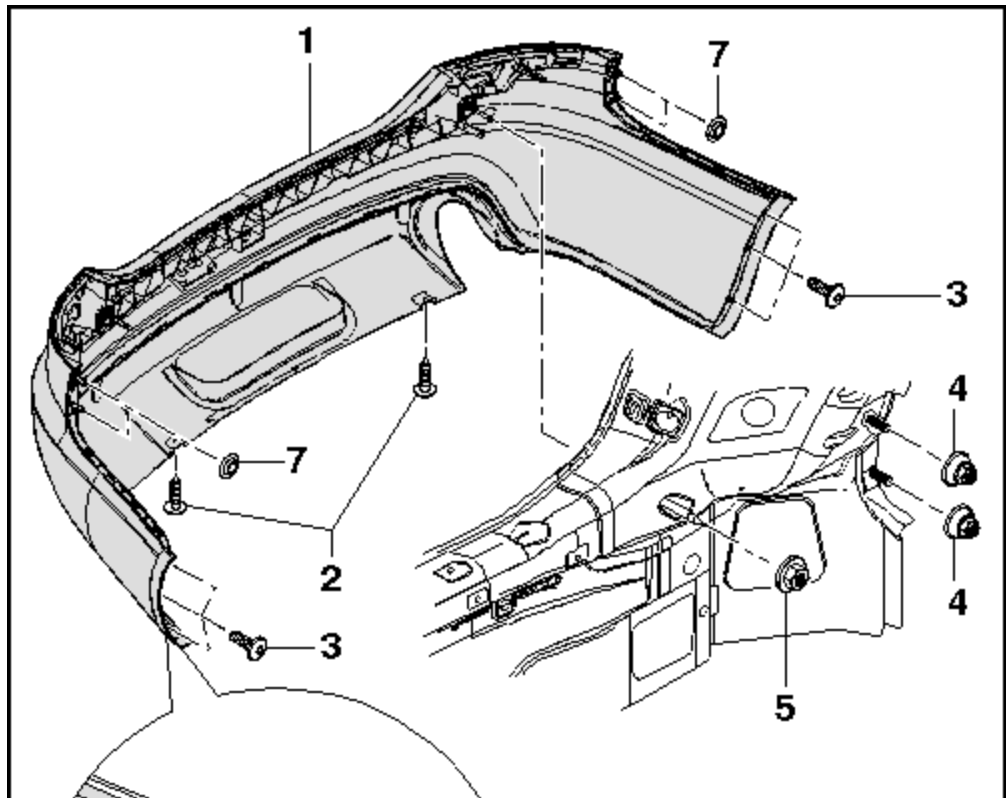
5 - Combination nut

- ⊗ 4 Nm

6 - Guide piece

7 - Grommet

- Grommets must be slid onto bolts before installing



cover.