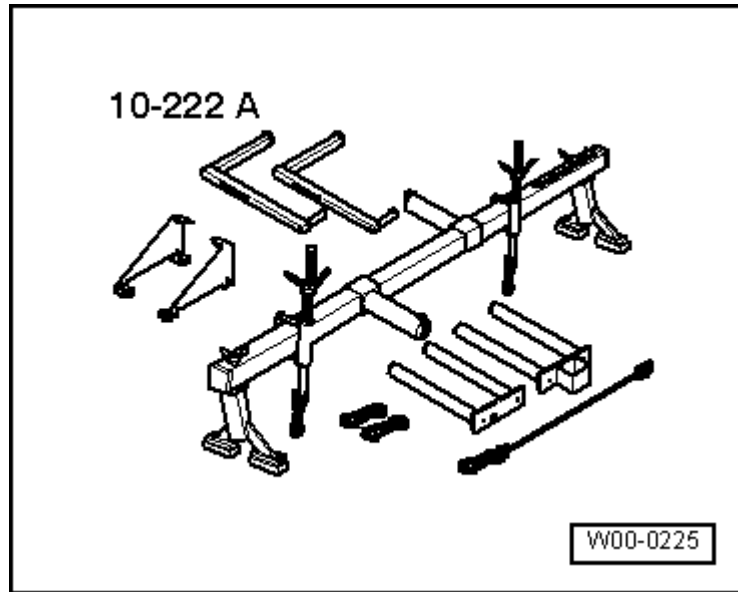
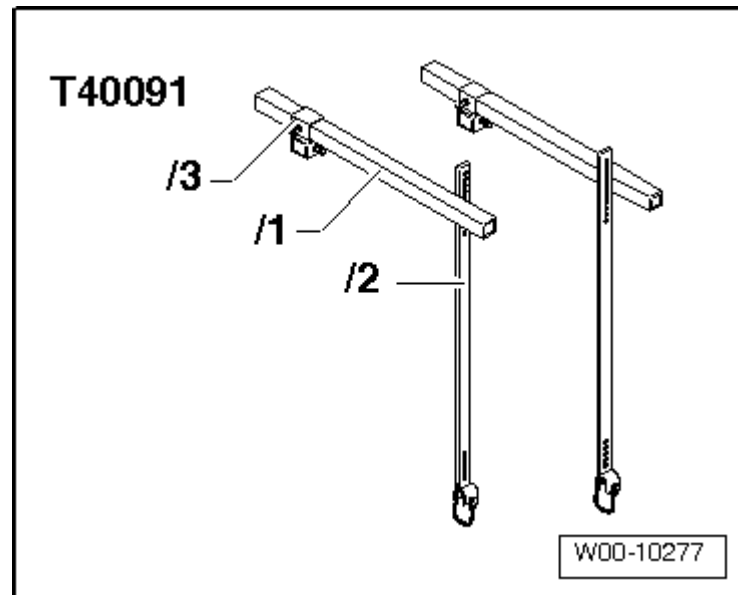


RightEngine Mount, Removing and Installing  
Special tools and workshop equipment required

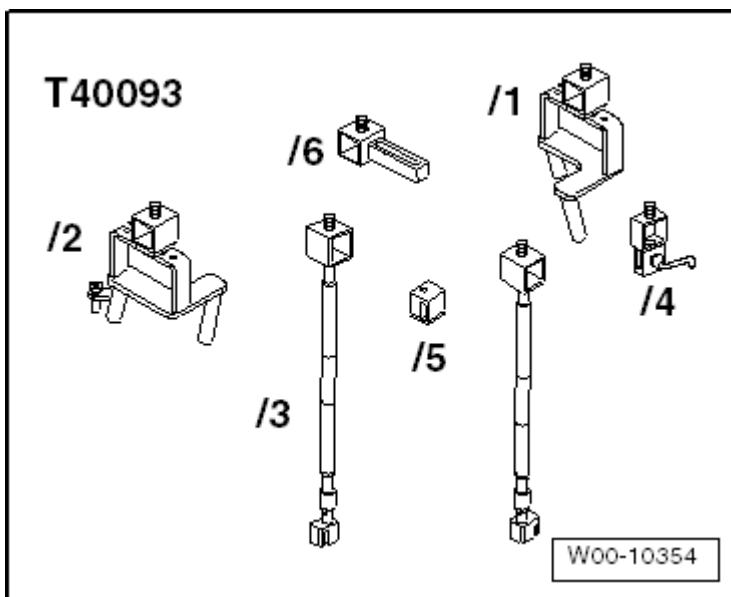
Right Engine support bridge -10-222 A-



Right Engine Support Basic Set -T40091-

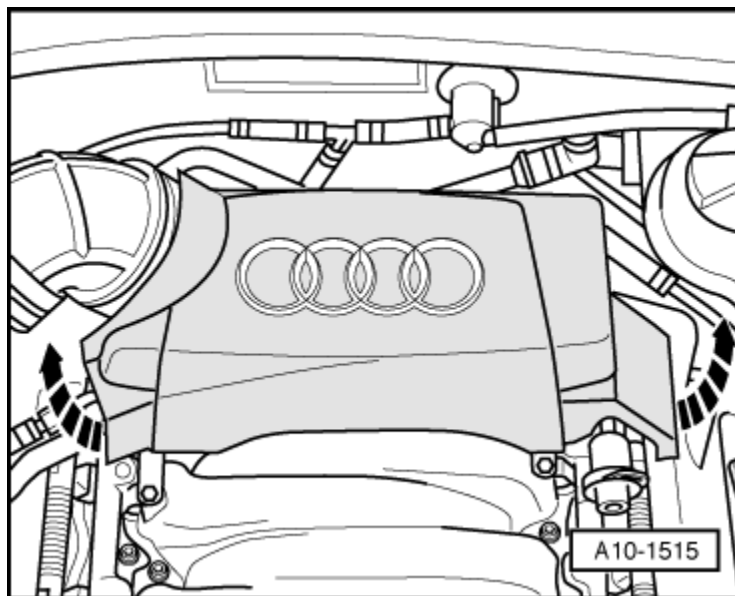


Right Engine Support Supplement Set -T40093-

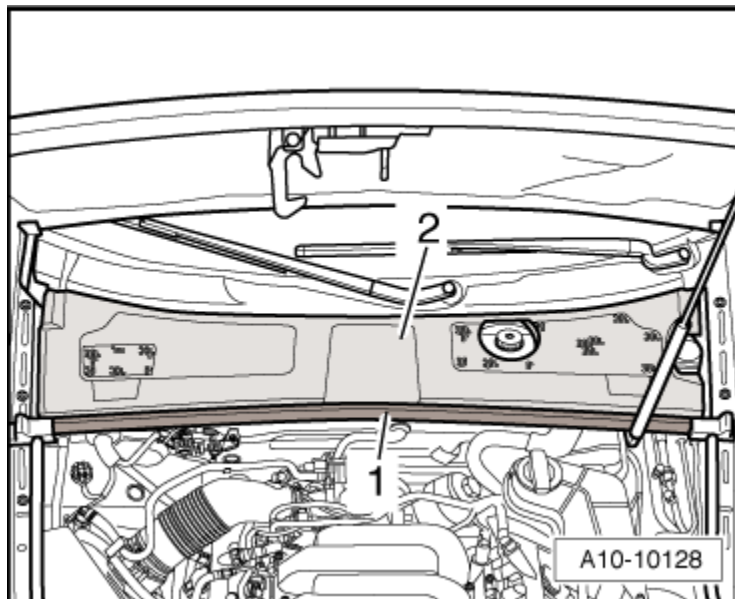


Removing

- Pull rear engine cover off -arrows-.
- Remove the air filter housing. Refer to [Fuel Injection and Ignition; Rep. Gr.24.](#)

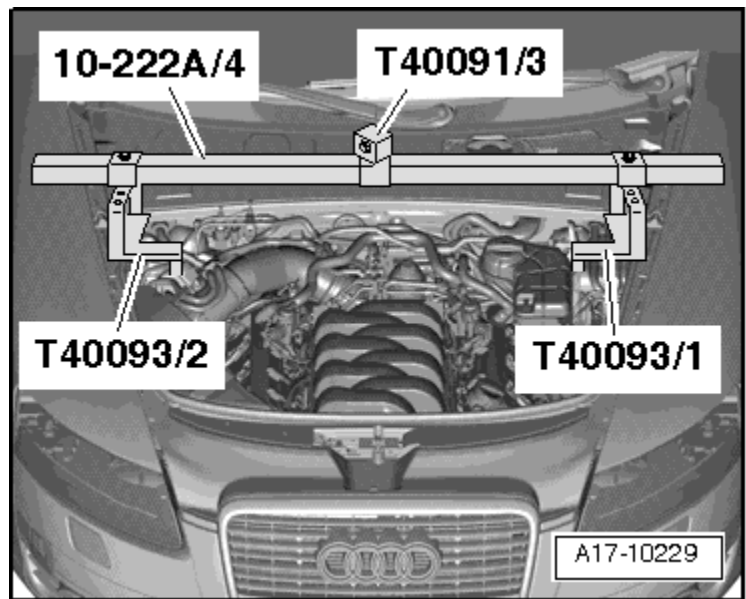


- Remove rubber seal -1- and remove plenum chamber cover -2-.



Mount the adapter -10 - 222 A /4- with the engine support basic set -T40091/3- engine support supplement set -T40093/1- and -T40093/2- to the strut towers.

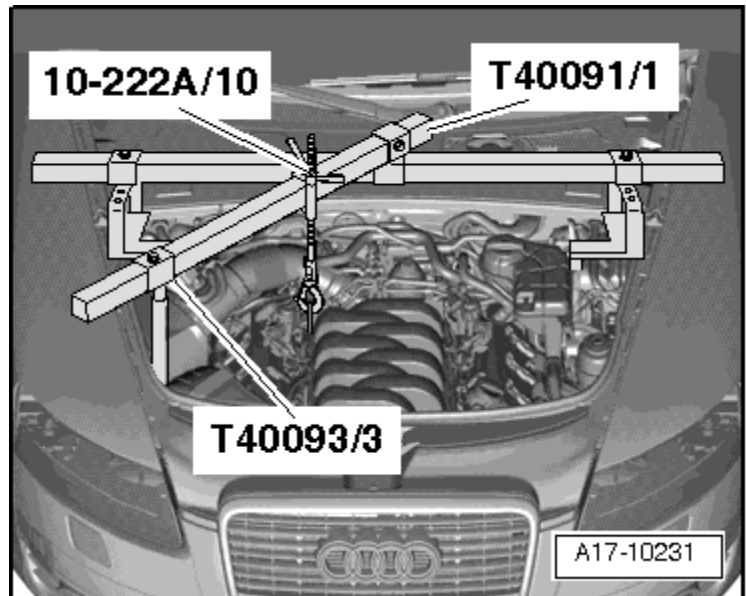
Support for left and right side of vehicle is marked.



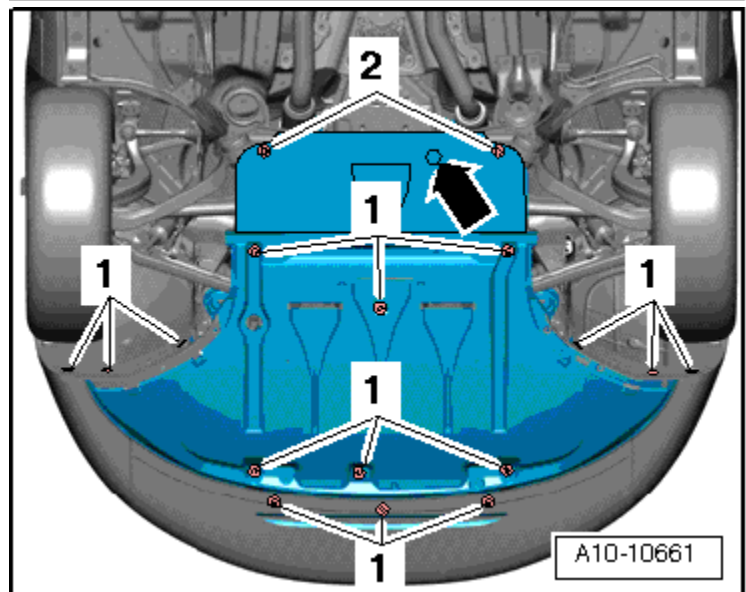
Mount the additional parts from the engine support bridge -10 - 222 A -, -T40091- and -T40093- as illustrated. Position the supports -T40093/3- on the notches on the longitudinal members.

- Engage the hook -10 - 222 A /10- into the left engine lifting eyelet.

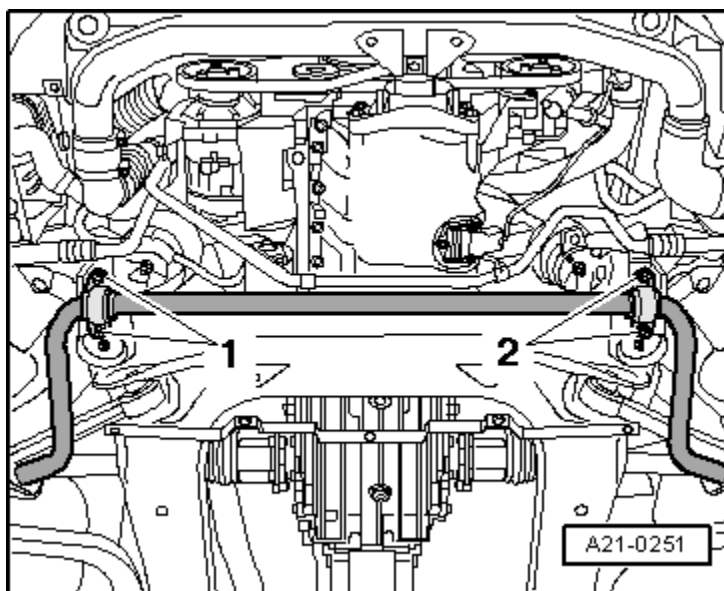
- Tension the engine with the spindle.



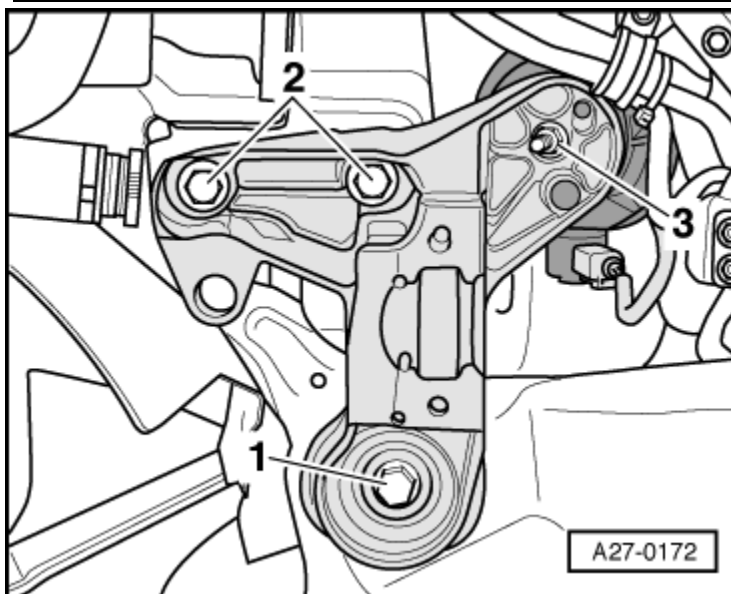
- Remove noise insulation. Refer to [Body Exterior; Rep. Gr.50](#).



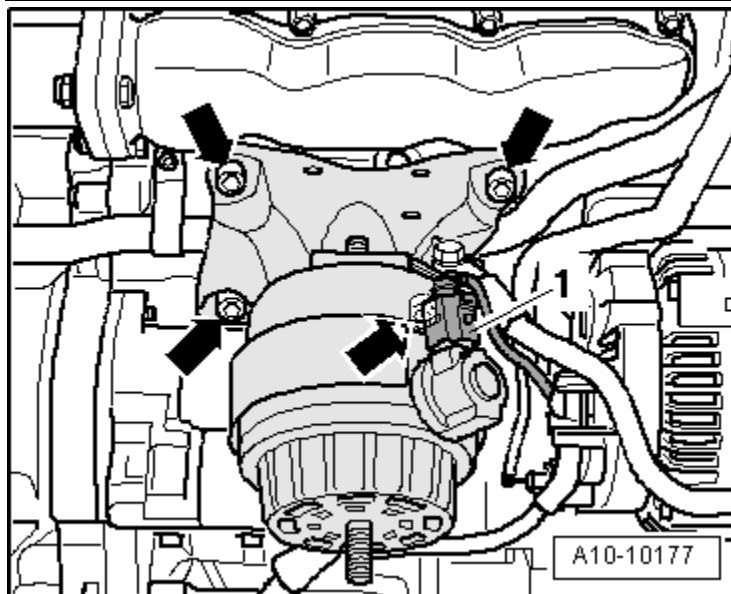
Remove the bolts -1- and -2- for the left and right stabilizer mounts and lower the stabilizer bar slightly.



Remove the nuts -3-.  
Remove the bolts -1- and -2- and remove the right engine mount console.



Disconnect the electrical connector -1- on the right electron-hydraulic engine mount solenoid valve -N 145-.  
Remove the bolts -arrows- and remove the engine supports with the engine brackets.



- Remove the nut -arrow- and remove the engine bracket from the engine support.

#### Installing

1 Tightening specifications → [Chapter](#).

Installation is performed in reverse order of removal, noting the following:



#### Note

Replace bolts which have been tightened to torque.

During installation, all cable ties must be re-installed at the same location.

Install the subframe and stabilizer bar.

Refer to → [Suspension, Wheels, Steering; Rep. Gr.40](#).

Install air filter housing. Refer to → [Fuel Injection and Ignition; Rep. Gr.24](#).

