

Fuel Filter

Special tools and workshop equipment required

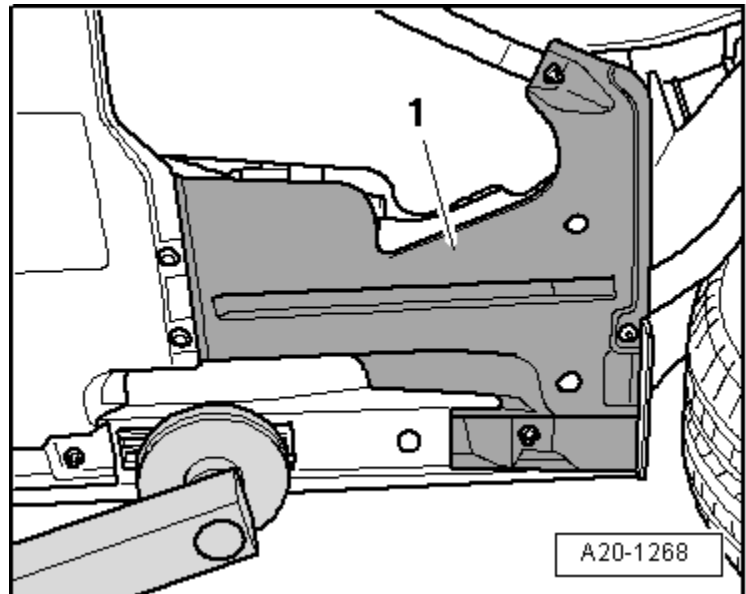
Reservoir

Removing

Observe safety precautions. Refer to [→ Chapter „Safety Precautions“](#).

Observe rules for cleanliness. Refer to [→ Chapter „Clean Working Conditions“](#).

- Remove right rear cover -1- next to fuel tank.



- Place the drip tray under the fuel filter.



WARNING

There is a risk of injury because the fuel is under high pressure.

To reduce pressure in fuel system, lay a clean cloth around the connector and carefully loosen connector.

- Disconnect fuel lines -1-, -2- and -4- by pressing the release buttons.
- Remove bolts -3-.
- Remove fuel filter.



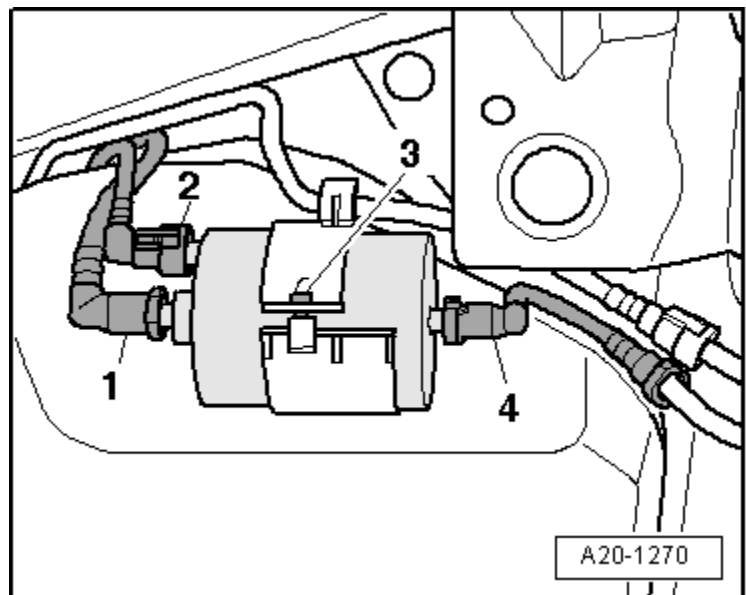
Note

Shown in illustration on a vehicle with front wheel drive.

Installing

Tightening specifications, refer to [1 → Chapter „Fastener Tightening Specifications“](#).

Installation is performed in the reverse order of removal, noting the following:



Installed location:

- 1 The direction of flow is marked on filter housing with arrows.
- 1 Distance a = 10 to 14 mm between fuel return line at fuel filter and fuel tank.

