

Ribbed Belt

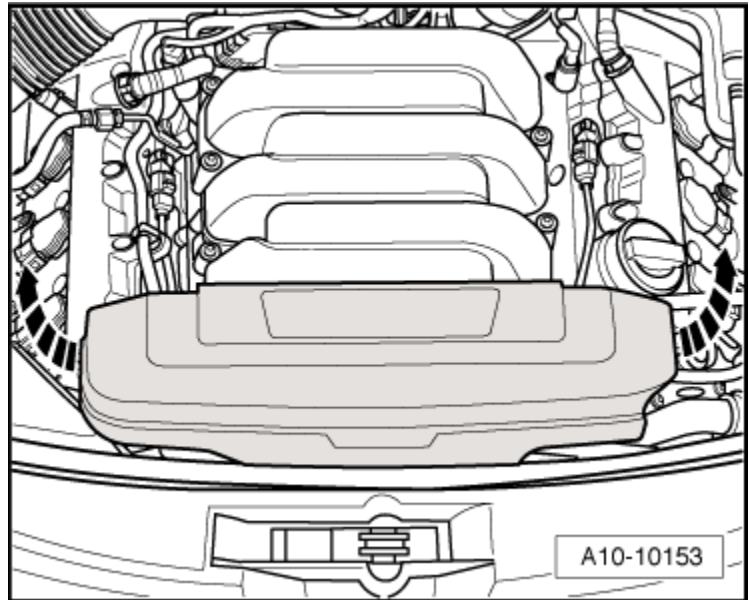
Removing

- Pull front engine cover off -arrow s-.



Note

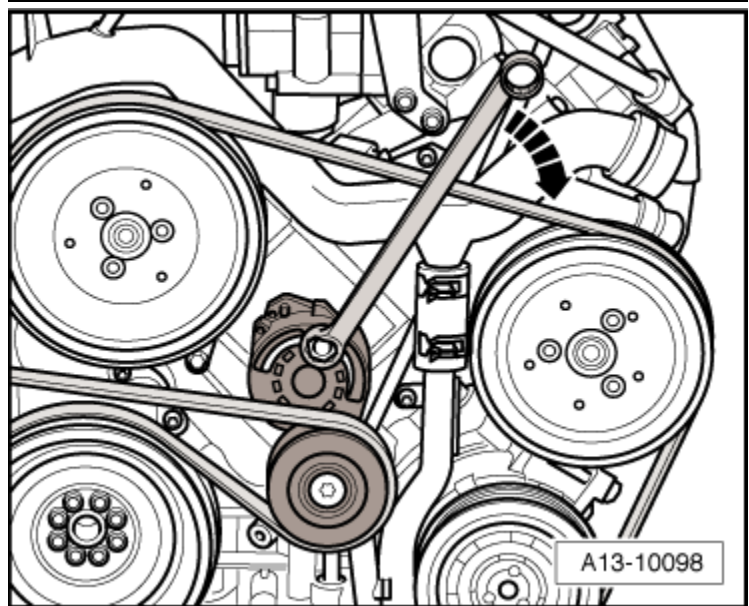
Before removing the ribbed belt, mark the turning direction on it with chalk or a felt tip pen. A reversed turning direction can cause damage to the belt under operating conditions.



- Pivot tensioning device in direction of -arrow - to relieve tension on ribbed belt.
- Remove ribbed belt and release tensioning device.

Installing

Installation is in reverse order of removal, note the following:



- Place ribbed belt over belt pulley as shown in the illustration.

1. Generator
2. Idler roller
3. Coolant pump
4. Power steering pump
5. A/C Compressor
6. Tensioning device for ribbed belt
7. Vibration damper



Note

When installing the ribbed belt, make sure it is seated correctly on the pulleys.

- Start engine and check belt running.

