

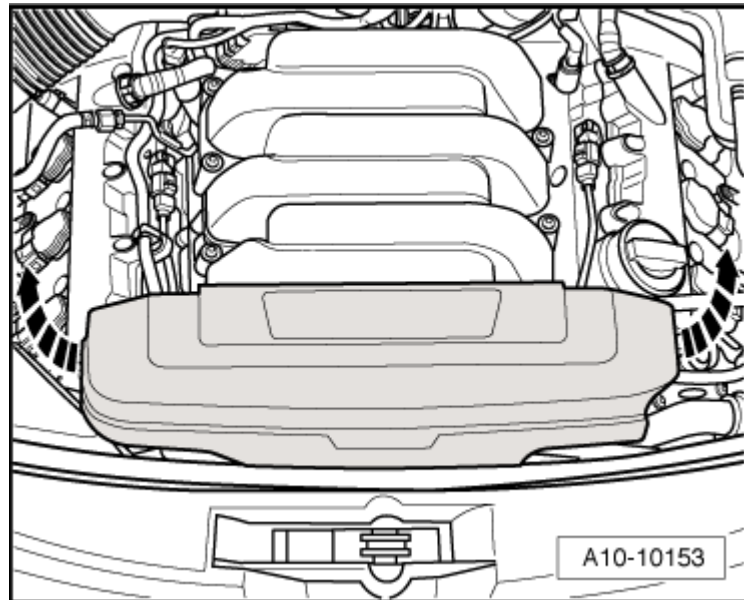
Left Cylinder Head Cover

Special tools and workshop equipment required

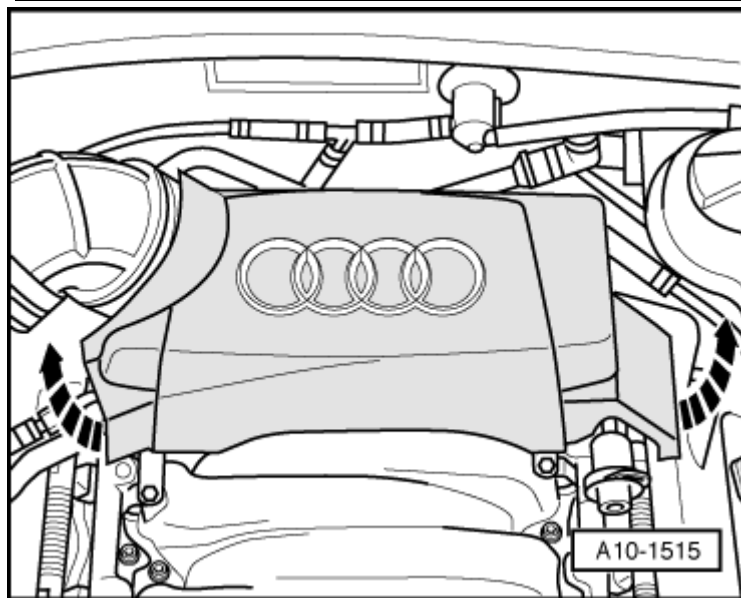
Ignition Coil Puller -T40039-

Removing

- Pull front engine cover off -arrow s-.



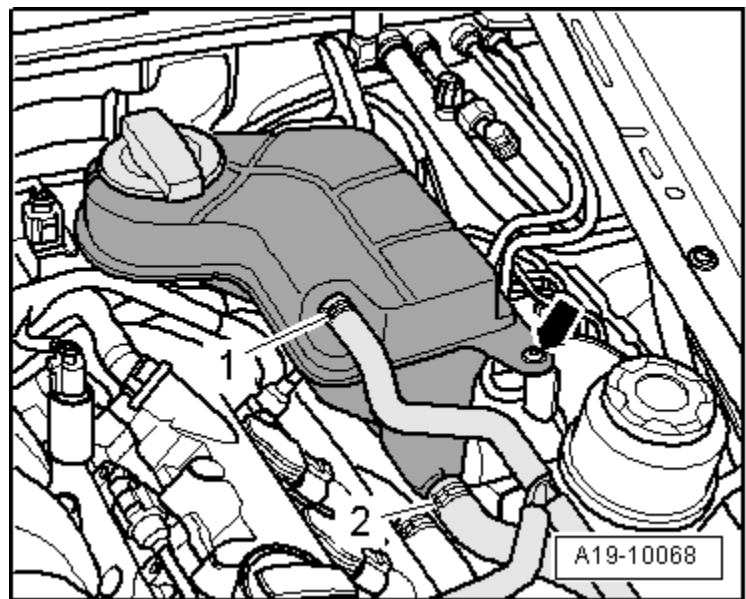
- Pull rear engine cover off -arrow s-.



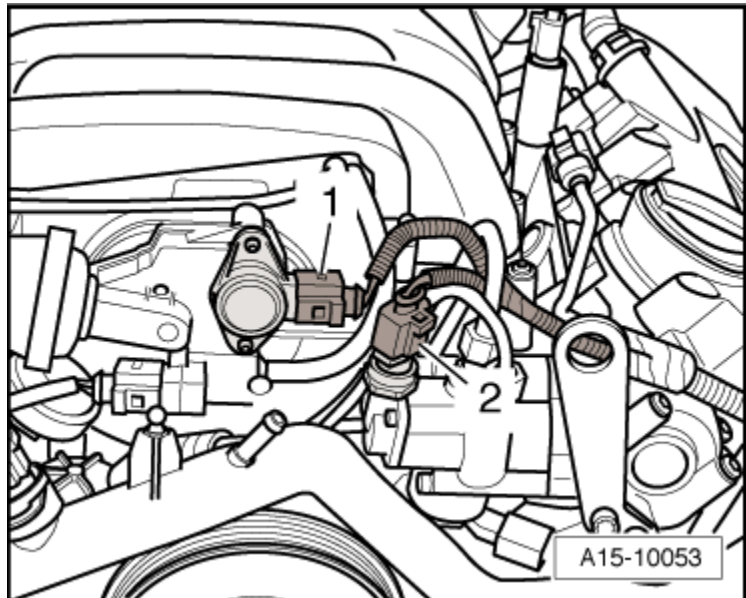
- Remove coolant expansion tank -arrow -.

Disconnect electrical connection from
Engine Coolant Level (ECL) Warning

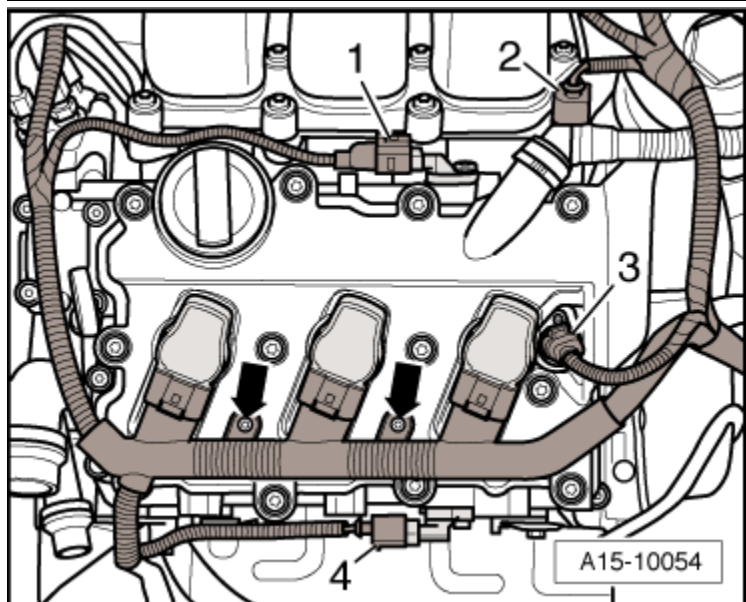
Switch -F66- at bottom of coolant reservoir
and set aside coolant reservoir with coolant
hoses -1- and -2- connected.



- Disconnect electrical harness connectors.
- 1 - Intake Manifold Tuning (IMT) Valve Position Sensor - G 513-
- 2 - Low Fuel Pressure Sensor - G 410-- if equipped

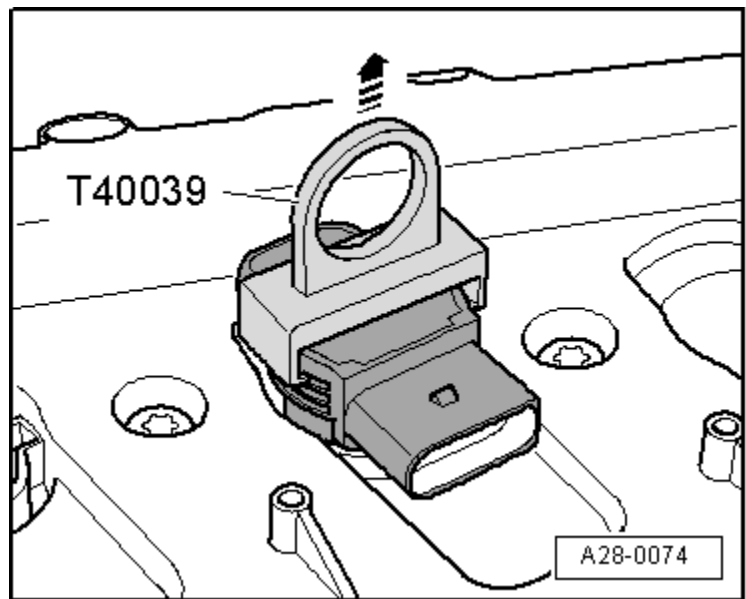


- Disconnect electrical harness connectors.
- 1 - Camshaft position (CMP) sensor 2 - G 163-
- 2 - Camshaft Adjuster Valve 2 - N 208-
- 3 - Camshaft Adjuster Valve 2 (exhaust) - N 319-
- 4 - Camshaft position (CMP) sensor 4 - G 301-



- Remove the bolts -arrows- and separate the electrical connections at the ignition coils.
- Set the electrical wiring harness aside.

- Remove the ignition coils using the Ignition Coil Puller -T40039-.



- Remove left cylinder head cover bolts in sequence -12 to 1-.



Note

Disregard -arrow-.



Caution

The crankcase ventilation must not be removed.

- Lay aside removed cylinder head cover with connected crankcase ventilation hose.

Installing

Installation is in reverse order of removal, note the following:

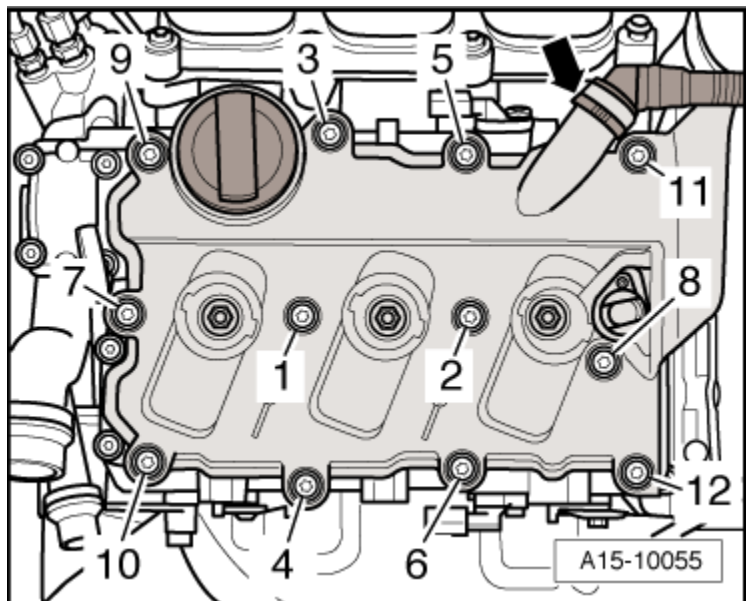


Note

Replace cylinder head cover gaskets if damaged.

Replace bolts for cylinder head cover if gasket is damaged.

- Clean sealing surfaces so they are completely free of any oil or grease.
- Tighten cylinder head cover in sequence -1 to 12-.



Tightening Specifications

Component	Nm
Cylinder head cover to cylinder head	9