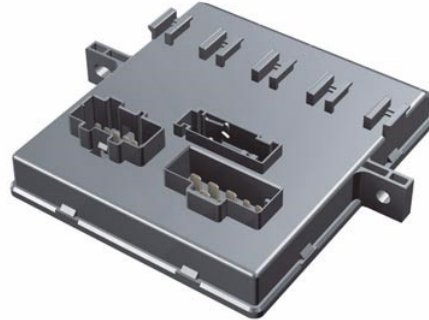


Control unit for on-board power supply J519

Functions

The main function of the control unit for on-board power supply is to read in switch information and activate power outputs. It is familiar from the Audi A8 '03 and has been adapted to new functionalities in the Audi A6 '05.



326_107

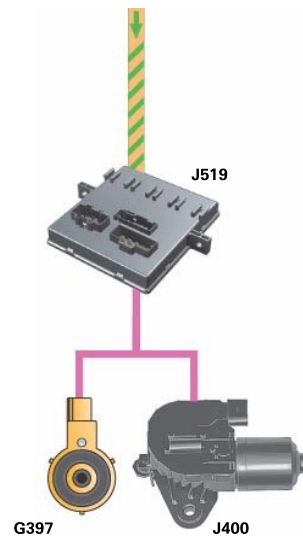
Master functions

The following master functions are implemented in the control unit for on-board power supply.

- External lighting control
- LIN master for the control unit for wiper motor J400
- LIN master for the sensor for rain and light detection G397 (for details of function, see Sensor for rain and light detection)

Stand-by master function

If the central control unit for the convenience system J393 fails, the control unit for on-board power supply J519 takes over the stand-by master function. It sends the information for direction indicators to the CAN bus.



326_108

Reference

Further information on this can be found in the SSP 288, Audi A8 '03 – Distributed Functions.



Emergency function

The software for the control unit for on-board power supply can be used to implement emergency functions. If a fault is detected in the rotary light switch or if there is an open circuit in the line to the rotary light switch, the control unit for on-board power supply switches the driving light on.

Other functionalities

In addition to the master functions, the following functions are also available in the control unit for on-board power supply.

- Steering column adjustment
- Footwell lighting
- Selector gate lighting
- Direction indicator control, front and side
- Signal horn activation
- Windscreen washer pump activation
- Steering column memory

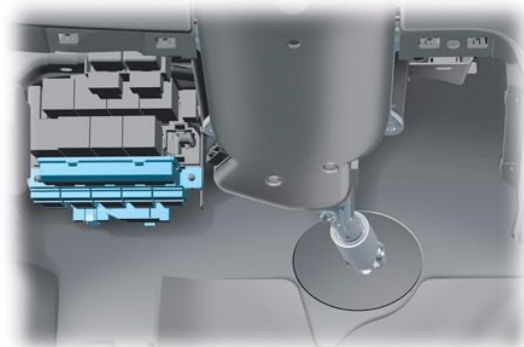
Versions

There are three functional versions of the control unit for on-board power supply:

- Low-Line version (with no electric steering column adjustment, no xenon, no daytime driving lights)
- Mid-Line version (with no electric steering column adjustment, with xenon and daytime driving lights)
- High-Line version (with electric steering column adjustment, xenon and daytime driving lights)

Installation position

The control unit for on-board power supply is installed on the left behind the dash panel. It can be accessed by removing the footwell cover.



326_134