

2 Description and Operation

⇒ [“2.1 Coolant Hose Connection Diagram”, page 222](#)

⇒ [“2.2 Coolant Thermostat, Coolant Pump and Connecting Piece Assembly Overview”, page 223](#)

⇒ [“2.3 Coolant Pipes Assembly Overview”, page 224](#)

2.1 Coolant Hose Connection Diagram

1 - Radiator

- Removing and installing, refer to ⇒ [“5.2 Engine Oil Cooler”, page 200](#)
- Replace coolant after replacing

2 - Coolant pump

- Removing and installing, refer to ⇒ [“5.1 Coolant Pump”, page 228](#)

3 - Coolant thermostat

- Removing and installing, refer to ⇒ [“5.2 Coolant Thermostat”, page 229](#)
- Checking, refer to ⇒ [“4.1 Thermostat, Checking”, page 226](#)

4 - Heater core

- Replace coolant after replacing

5 - Bleeder screw

6 - Expansion tank

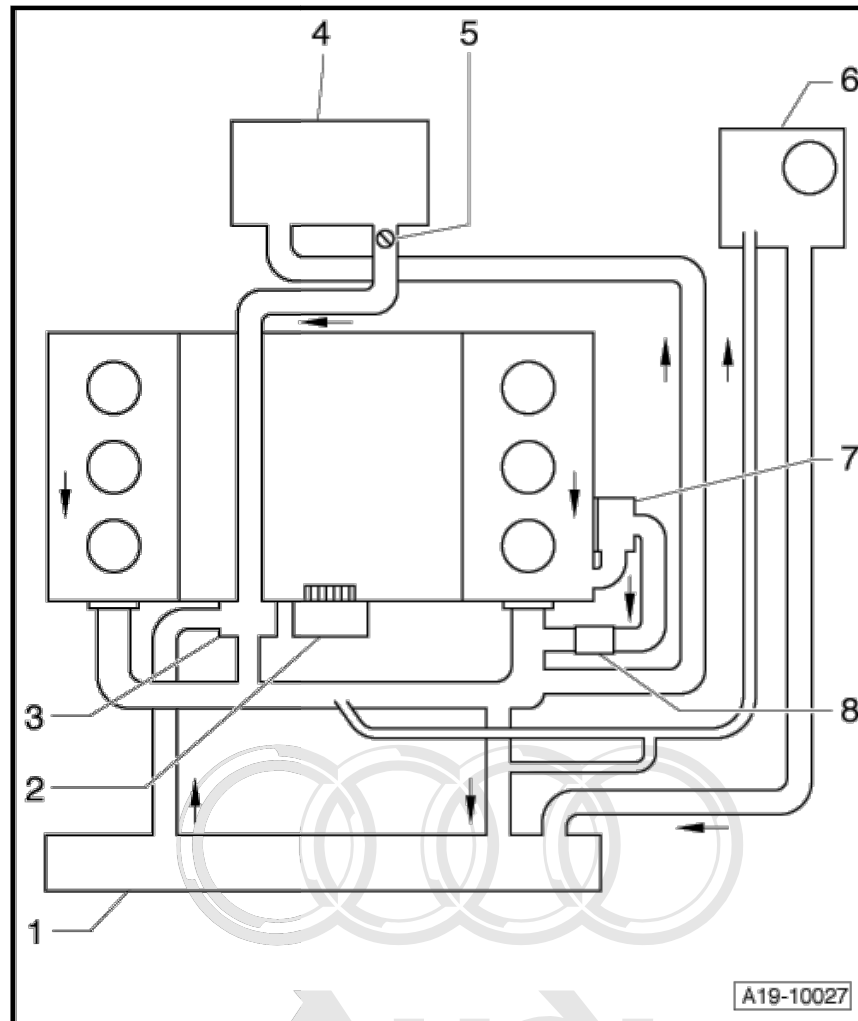
- With sealing cap
- Pressure relief valve in cap, checking ⇒ [page 227](#)

7 - Engine oil cooler

- Replace coolant after replacing
- Removing and installing, refer to ⇒ [“5.2 Engine Oil Cooler”, page 200](#)

8 - After-run coolant pump -V51-

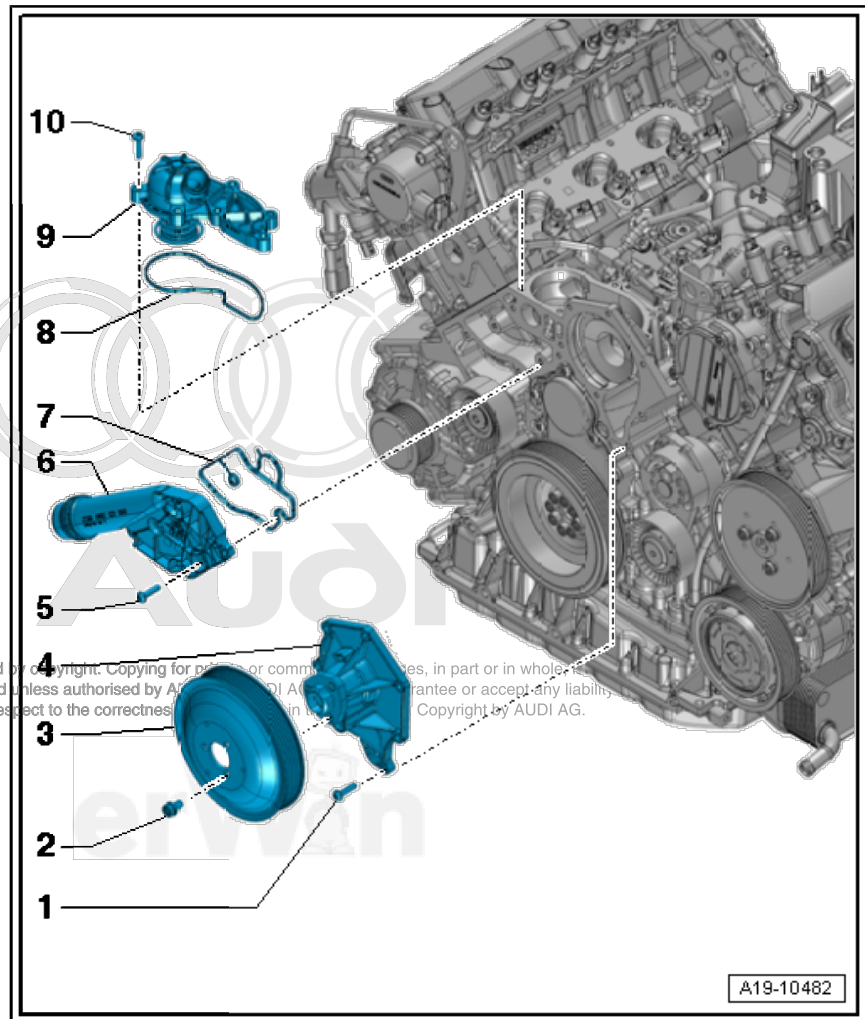
- Only for vehicles in countries with hot climates



Copyright. Copying for private or commercial purposes, in part or in whole, is not permitted unless authorised by AUDI AG. AUDI AG does not guarantee or accept any liability with respect to the correctness of information in this document. Copyright by AUDI AG.

2.2 Coolant Thermostat, Coolant Pump and Connecting Piece Assembly Overview

- 1 - 9 Nm
- 2 - 20 Nm
- 3 - Ribbed belt pulley for coolant pump
- 4 - Coolant pump
 - With gasket
 - Removing and installing, refer to ⇒ ["5.1 Coolant Pump", page 228](#)
- 5 - 9 Nm
- 6 - Connecting piece
 - For coolant hose
- 7 - Gasket
 - Replace
- 8 - Gasket
 - Different versions, refer to ⇒ Electronic Parts Catalog "ETKA"
 - Replace
- 9 - Coolant thermostat
 - Removing and installing, refer to ⇒ ["5.2 Coolant Thermostat", page 229](#)
 - Checking, refer to ⇒ ["4.1 Thermostat, Checking", page 226](#)
- 10 - 9 Nm



2.3 Coolant Pipes Assembly Overview

1 - Left coolant pipe

- Together with
 ⇒ [Item 16 \(page 224\)](#)
 removing and installing,
 refer to
 ⇒ ["5.5 Left Coolant
 Pipes", page 232](#)

2 - 9 Nm

3 - O-ring

- Replace

4 - Connecting hose

5 - 9 Nm

6 - Front coolant line

- Removing and instal-
 ling, refer to
 ⇒ ["5.4 Front Coolant
 Pipe", page 230](#)

7 - 9 Nm

8 - O-ring

- Replace

9 - Engine Coolant Temperature (ECT) Sensor -G62-

- Removing and instal-
 ling, refer to
 ⇒ ["5.3 Engine Coolant
 Temperature Sensor",
 page 230](#)

10 - Retaining clip

11 - Seal

- Replace

12 - O-ring

- Replace

13 - Upper coolant line

- Removing and installing, refer to ⇒ ["5.6 Upper Coolant Pipe", page 234](#)

14 - 9 Nm

15 - Seal

- Replace

16 - Left coolant pipe

- Together with ⇒ [Item 1 \(page 224\)](#) removing and installing, refer to
 ⇒ ["5.5 Left Coolant Pipes", page 232](#)

17 - 9 Nm

