

2006 Audi A6 Quattro Sedan (4F2) V6-3.2L (BKH)

Vehicle > Heating and Air Conditioning > Diagrams > Electrical (OE) > Air Conditioning, Basic, Comfort, from MY 2005

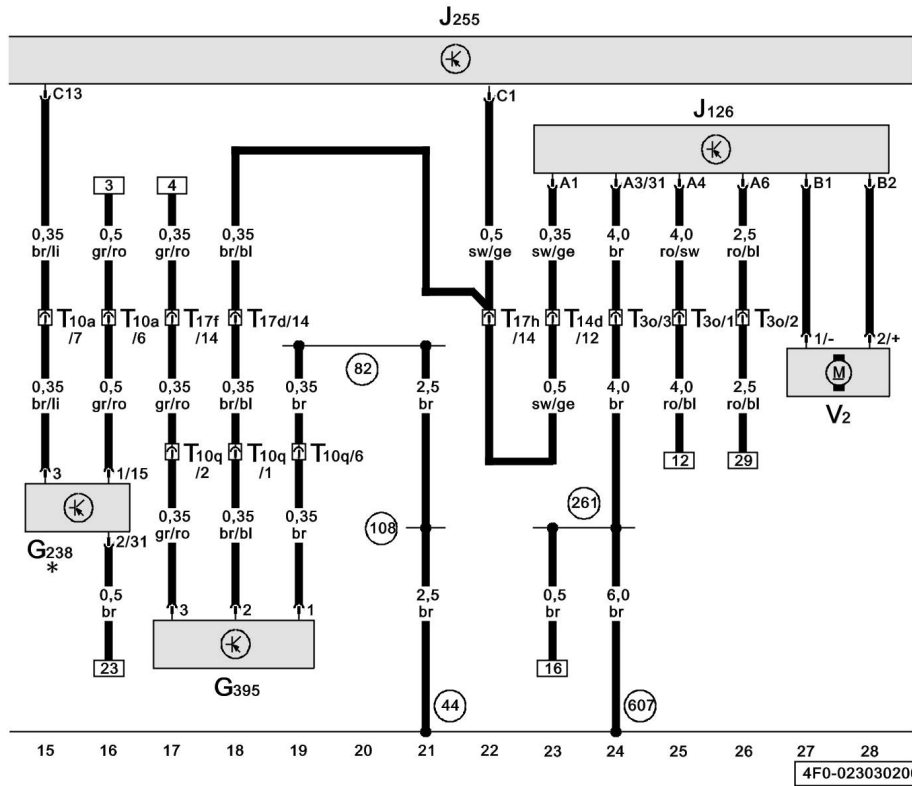
DIAGRAM 23/3 (TRACKS 15-28)

IMPORTANT NOTE:

This manufacturer uses "Track" style wiring diagrams.

For information on how to use these diagrams effectively, please refer to Diagram Information and Instructions. See Vehicle > Diagram Information and Instructions

Climatronic Control Module, Air Quality Sensor, A/C Pressure/Temperature Sensor, Fresh Air Blower Control Module, Fresh Air Blower



- ws = white
- sw = black
- ro = red
- br = brown
- gn = green
- bl = blue
- gr = grey
- li = lilac
- ge = yellow
- or = orange
- rs = pink

G238 - Air Quality Sensor See: Heating and Air Conditioning > Components > Components Outside Passenger Compartment

- G395** - A/C Pressure/Temperature Sensor See: Heating and Air Conditioning > Components > Components Outside Passenger Compartment
- J126** - Fresh Air Blower Control Module See: Heating and Air Conditioning > Components > Components Outside Passenger Compartment
- J255** - Climatronic Control Module See: Heating and Air Conditioning > Components > Components Inside Passenger Compartment
- T3o** - 3-Pin Connector, black, in plenum chamber, right
- T10a** - 10-Pin Connector, purple, connector station left electronics box See: Power and Ground Distribution > Connectors > Overview of Connector Stations and Connectors
- T10q** - 10-Pin Connector, black, near left headlamp
- T14d** - 14-Pin Connector, black, in plenum chamber, right
- T17d** - 17-Pin Connector, black, connector station A-pillar, left See: Power and Ground Distribution > Connectors > Overview of Connector Stations and Connectors
- T17f** - 17-Pin Connector, green, connector station A-pillar, left See: Power and Ground Distribution > Connectors > Overview of Connector Stations and Connectors
- T17h** - 17-Pin Connector, orange, connector station electronics box in left plenum chamber See: Power and Ground Distribution > Connectors > Overview of Connector Stations and Connectors
- V2** - Fresh Air Blower See: Heating and Air Conditioning > Components > Components Outside Passenger Compartment
- (44)** - Ground Connection (on left lower A-pillar) See: Grounding Point > Grounds > Overview of Ground Connections in Interior of Vehicle
- (82)** - Ground Connection 1 (in front left wiring harness)
- (108)** - Ground Connection 2 (in front left wiring harness)
- (261)** - Ground Connection (in heated spray jet wiring harness)
- (607)** - Ground Connection (in plenum chamber, left) See: Grounding Point > Grounds > Overview of Ground Connections in Front Part of Vehicle
- *** - Comfort equipment only

Previous See: Heating and Air Conditioning > Electrical > Diagram 23/2 (Tracks 1-14)

Next See: Heating and Air Conditioning > Electrical > Diagram 23/4 (Tracks 29-42)

