

2006 Audi A6 Quattro Sedan (4F2) V6-3.2L (BKH)

Vehicle > Heating and Air Conditioning > Diagrams > Electrical (OE) > Air Conditioning, Basic, Comfort, from MY 2005

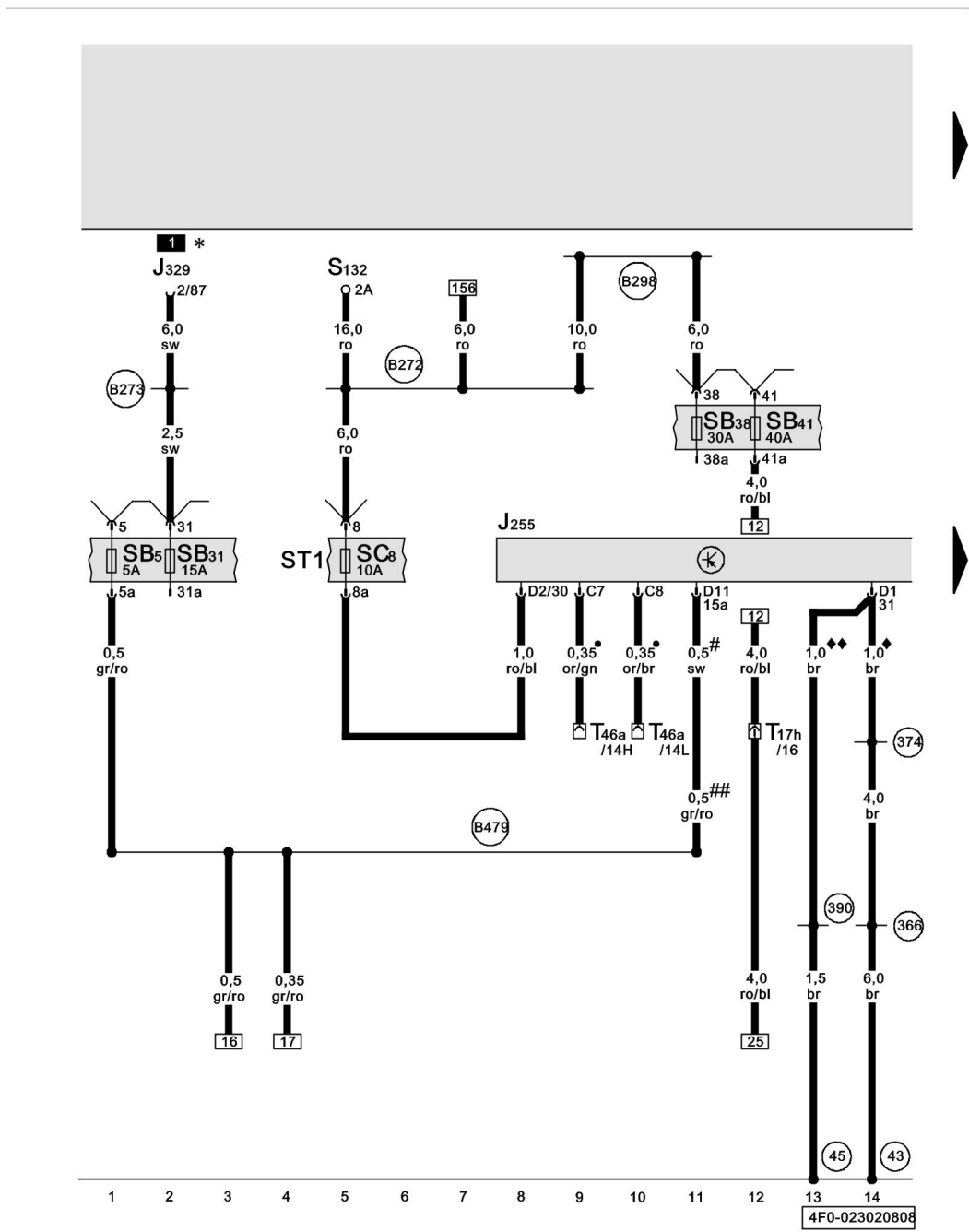
DIAGRAM 23/2 (TRACKS 1-14)

IMPORTANT NOTE:

This manufacturer uses "Track" style wiring diagrams.

For information on how to use these diagrams effectively, please refer to Diagram Information and Instructions. See Vehicle > Diagram Information and Instructions

Climatronic Control Module, Fuses



ws = white
sw = black
ro = red
br = brown
gn = green
bl = blue
gr = grey
li = lilac
ge = yellow
or = orange
rs = pink

- J255** - Climatronic Control Module See: Heating and Air Conditioning > Components > Components Inside Passenger Compartment
- J329** - Power Supply Relay (terminal 15) See: Relay Box > Components > Overview of Relay Carrier
- S132** - Safety Fuse 2 See: Fuse Block > Components > Overview of Fuses
- SB5** - Fuse 5 (on fuse panel B) See: Fuse Block > Components > Overview of Fuses
- SB31** - Fuse 31 (on fuse panel B) See: Fuse Block > Components > Overview of Fuses
- SB38** - Fuse 38 (on fuse panel B) See: Fuse Block > Components > Overview of Fuses
- SB41** - Fuse 41 (on fuse panel B) See: Fuse Block > Components > Overview of Fuses
- SC8** - Fuse 8 (on fuse panel C) See: Fuse Block > Components > Overview of Fuses
- T17h** - 17-Pin Connector, orange, connector station electronics box in left plenum chamber See: Power and Ground Distribution > Connectors > Overview of Connector Stations and Connectors
- T46a** - 46-Pin Connector, left CAN separating connector
- (43)** - Ground Connection (on right lower A-pillar) See: Grounding Point > Grounds > Overview of Ground Connections in Interior of Vehicle
- (45)** - Ground Connection (behind instrument panel, center) See: Grounding Point > Grounds > Overview of Ground Connections in Interior of Vehicle
- (366)** - Ground Connection 1 (in main wiring harness)
- (374)** - Ground Connection 9 (in main wiring harness)
- (390)** - Ground Connection 25 (in main wiring harness)
- (B272)** - Plus Connection (30) (in main wiring harness)

(B273) - Plus Connection (15) (in main wiring harness)

(B298) - Plus Connection 2 (30) (in main wiring harness)

(B479) - Connection 15 (in main wiring harness)

- CAN-Bus (data wire)

* - 9-Pin relay carrier, behind driver's storage compartment

- Through model year 2005

- From model year 2006

- Through October 2005

- From November 2005

Next See: Heating and Air Conditioning > Electrical > Diagram 23/3 (Tracks 15-28)