

THIS IS FOR EXPERIENCED VCDS/VAG-COM USERS

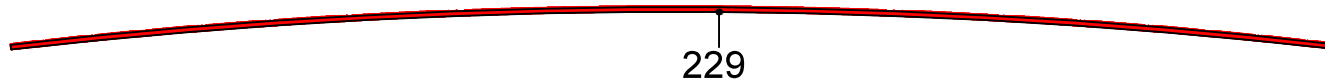
CENTRAL CONCEIVE - 46
SECURITY CODE = 16017

2012 AUDI A7 US SPEC - REAR LIGHTING CHANNELS

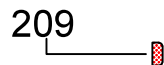
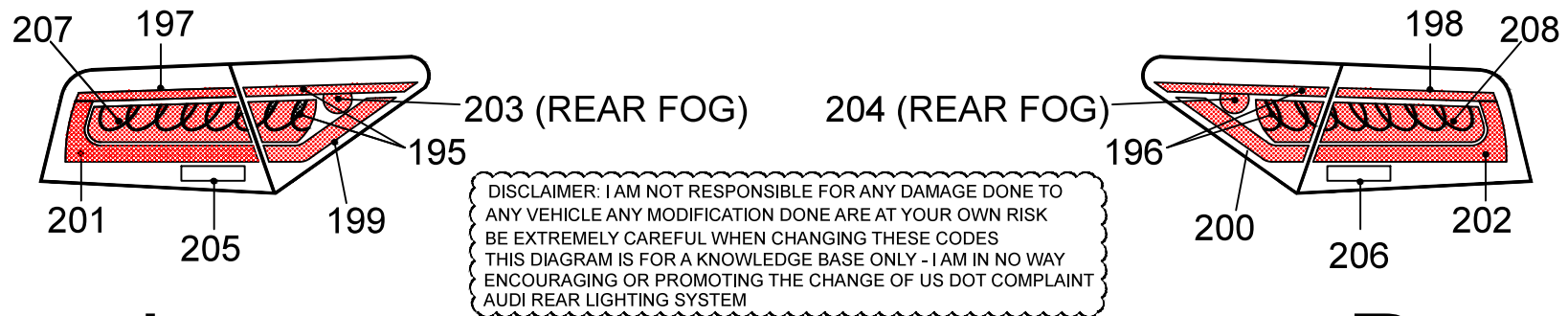
ADAPTATIONS -
CHANNEL NUMBERS CORRESPOND TO THE NUMBERS OUTLINED BELOW

NOTE 205 AND 206 ARE REVERSE LIGHTS
229 IS THE HIGH MOUNT BRAKE LIGHT - 209 AND 210 ARE THE REAR SIDE MARKER LIGHTS
199, 200, 201 & 202 ARE REAR PARK LIGHTS

FIRST AND MOST IMPORTANT - IN APPLICATIONS YOU CAN MAP CENTRAL CONVINCE - 46 USING THE SECURITY CODE LISTED ABOVE AND GENERATE A REPORT, IT WILL HAVE A .CSV EXTENSION FILE NAME - THIS IS AN OUTLINE OF ALL CHANNELS AND VALUES FOR THOSE CHANNELS - MAKE SURE YOU KEEP THIS FILE INCASE YOU MAKE A MISTAKE YOU CAN CHANGE THE SETTING BACK - SEE VALUES THAT CAN BE CHANGED BELOW



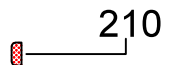
PLEASE NOTE TOP AND MIDDLE INSIDE LED LIGHTS CHANNELS 195 & 196 ARE HARDWIRED TOGETHER

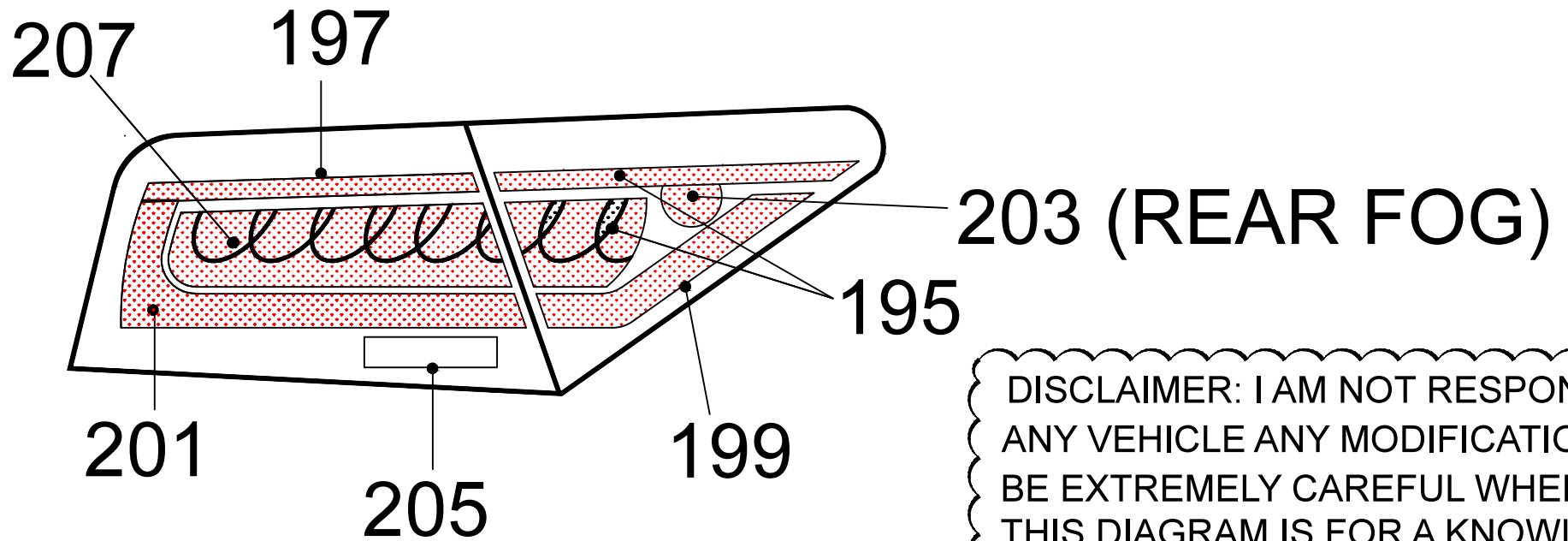


L

- VALUE 5 = FUNCTION AS BRAKE LIGHT ONLY FOR LEFT SIDE ONLY
- 6 = FUNCTION AS BRAKE AND INDICATOR FOR LEFT SIDE ONLY
- 37 = FUNCTION AS BRAKE LIGHT ONLY FOR RIGHT SIDE ONLY
- 38 = FUNCTION AS BRAKE AND INDICATOR FOR LEFT SIDE ONLY
- 12 = FUNCTION AS INDICATOR ONLY ON LEFT SIDE
- 44 = FUNCTION AS INDICATOR ONLY FOR RIGHT SIDE ONLY

R





DISCLAIMER: I AM NOT RESPONSIBLE FOR ANY DAMAGE TO ANY VEHICLE ANY MODIFICATION DONE TO THIS DIAGRAM IS FOR A KNOWLEDGEABLE USER. I AM NOT ENCOURAGING OR PROMOTING THE USE OF THIS DIAGRAM FOR THE AUDI REAR LIGHTING SYSTEM

L

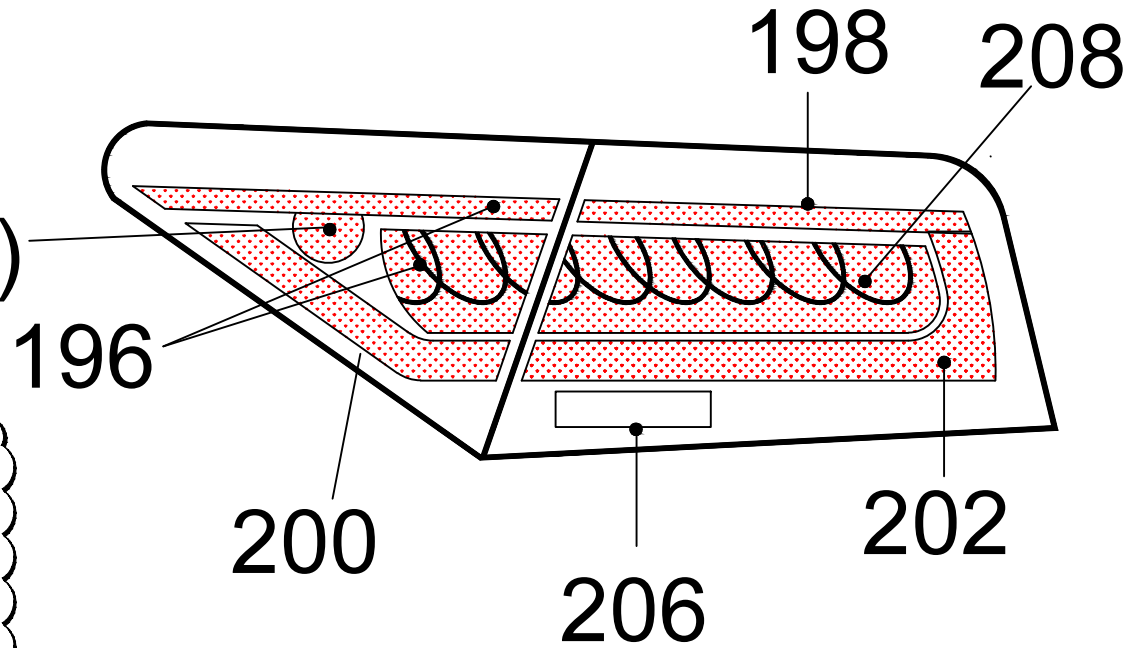
- VALUE 5 = FUNCTION AS BRAKE LIGHT ONLY
- 6 = FUNCTION AS BRAKE AND INDICATOR
- 37 = FUNCTION AS BRAKE LIGHT ONLY
- 38 = FUNCTION AS BRAKE AND INDICATOR



204 (REAR FOG)

FOR ANY DAMAGE DONE TO
E ARE AT YOUR OWN RISK
GING THESE CODES
BASE ONLY - I AM IN NO WAY
HANGE OF US DOT COMPLAINT

FOR LEFT SIDE ONLY
OR FOR LEFT SIDE ONLY
FOR RIGHT SIDE ONLY
OR FOR LEFT SIDE ONLY



R

