

## 5.13 Dust and Pollen Filter, Removing and Installing

⇒ ["5.13.1 Dust and Pollen Filter Information", page 505](#)

⇒ ["5.13.2 Dust and Pollen Filter, Removing and Installing", page 505](#)

### 5.13.1 Dust and Pollen Filter Information



#### Note

- ◆ *Observe the replacement interval. Refer to the Maintenance Tables.*
- ◆ *There are different versions: On vehicles with the "Basic" A/C system version, there is currently a dust and pollen filter with an activated charcoal filter element installed. A dust and pollen filter without an activated charcoal filter element may be installed at a later time (introduction not yet finalized). On vehicles with the "Comfort" A/C system, a dust and pollen filter with an activated charcoal filter element is always installed. Refer to the Parts Catalog.*
- ◆ *On vehicles with driving school equipment, pedals of driving school equipment must be removed if necessary (depending on version, service disconnect points are present on driving school pedals. Refer to the Driving School Equipment Installation Instructions.*

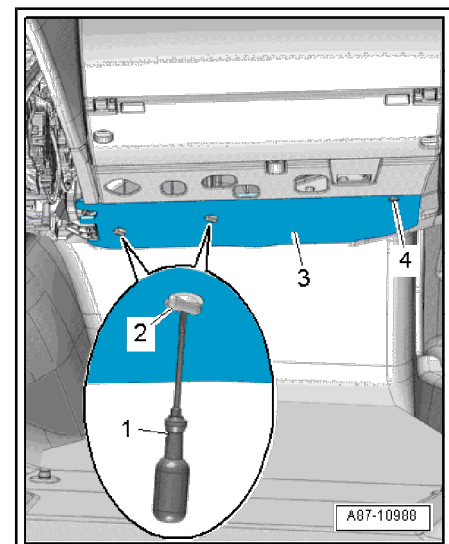
### 5.13.2 Dust and Pollen Filter, Removing and Installing

#### Special tools and workshop equipment required

- ◆ Commercially Available Vacuum Cleaner

#### Removing

- Place the right front seat as far towards the rear as possible.
- Loosen the quick release -2- with a screwdriver -1-.
- Detach the cover -3- from the bracket -4- and remove it.
- Cover the floor carpet in the front passenger footwell beneath the dust and pollen filter with paper (to capture any falling debris).

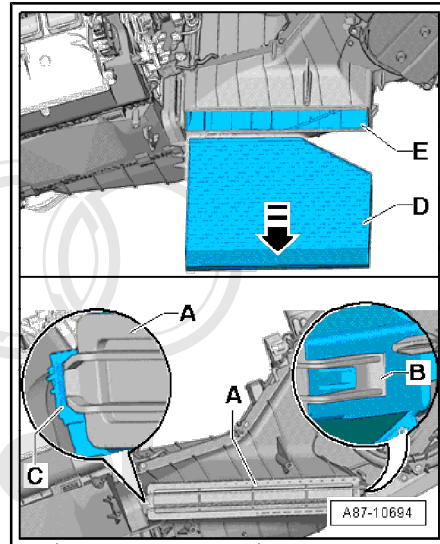


- Release the tab -B-, move the shaft cover -A- downward and remove it.
- Pull the dust and pollen filter -D- out of the housing -E- -arrow-.

### Installing

Installation is done in reverse order, observe the following:

- Clean the area around the dust and pollen filter in the heater shaft before installing a new filter, using for example a vacuum cleaner.
- Insert the dust and pollen filter so that the slanted side faces the fresh air blower.
- Mount the shaft cover onto the air intake housing -C- and press it until it audibly engages.



Protected by copyright. Copying for private or commercial purposes, in part or in whole, is not permitted unless authorised by AUDI AG. AUDI AG does not accept any responsibility with respect to the correctness of information in this document.

### Note

*Depending on the version, a foam strip -B- may be glued on the shaft cover -A- (to insulate the space between the cover).*

