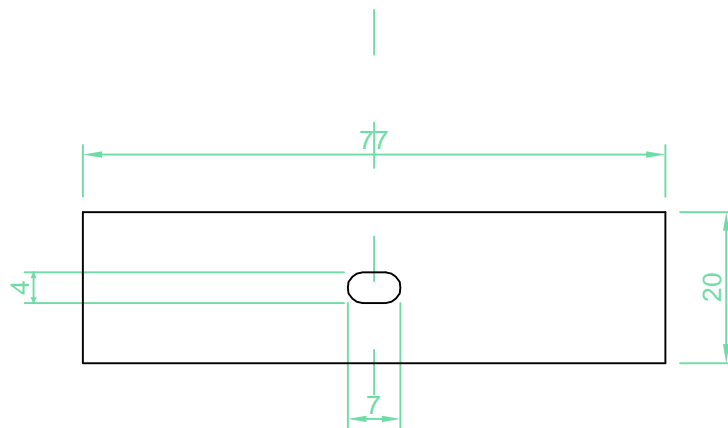
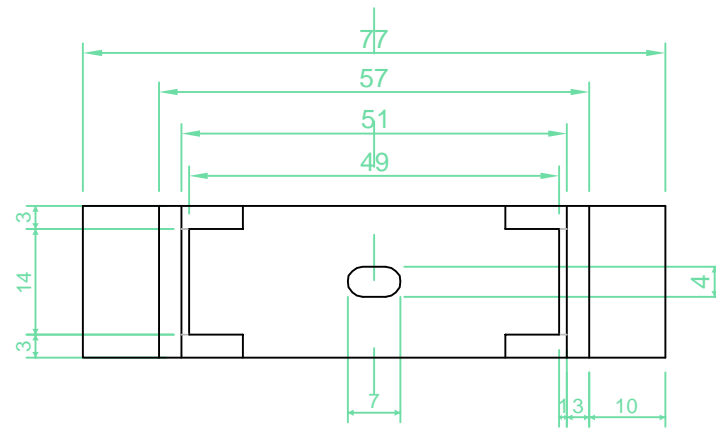


TOP



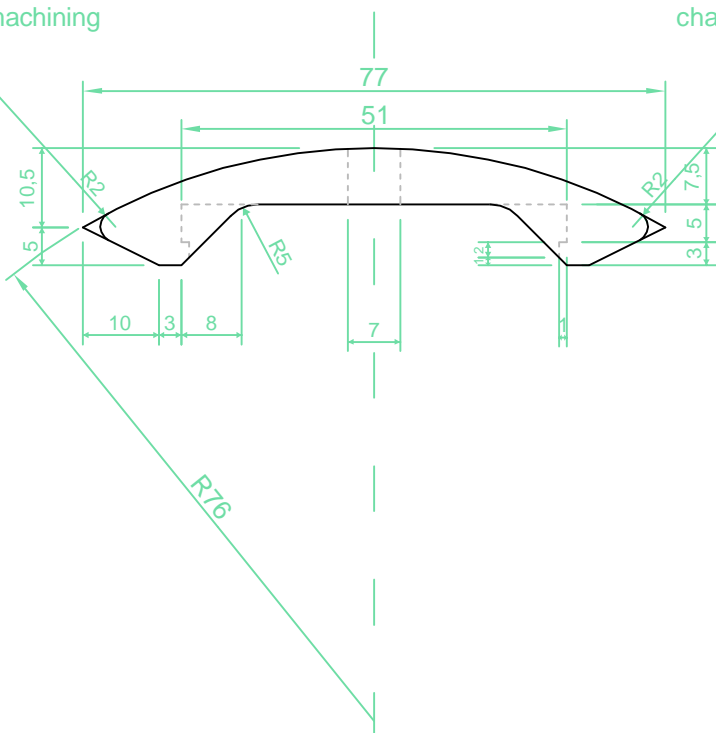
BOTTOM



chamfer after machining

chamfer after machining

SIDE



All dimensions in mm
Material: Duratron CU60