

Removing and installing brake light switch



Note

- t The brake light switch must be removed in order to adjust it.
- t To ensure a secure fit, the switch may only be fitted once.

Removing

- Unplug electrical connector.
- Turn brake light switch anti-clockwise 45° to remove.

Installing

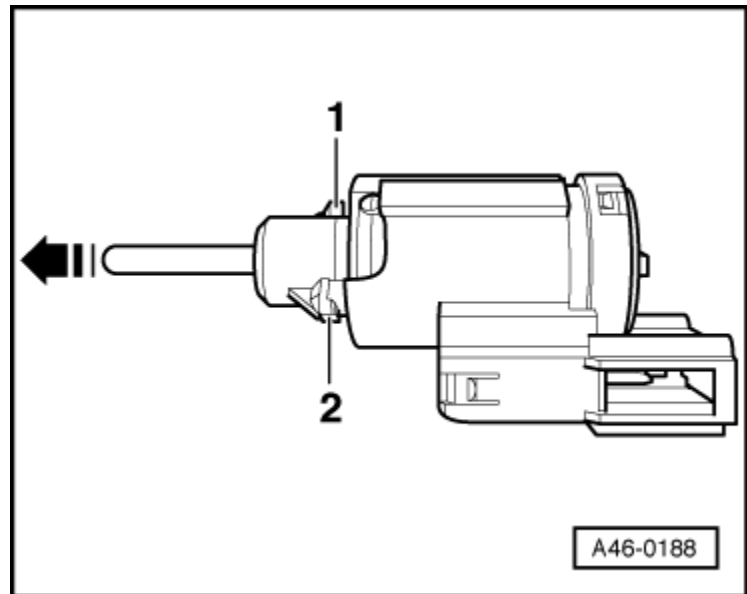
Installation is performed in reverse sequence; note the following:

- Pull out plunger of brake light switch as far as it will go -arrow-.
- Fit retainer tabs -1- and -2- on switch into recesses in mounting hole.



Note

- t When installing, brake pedal must not be pressed.
- t The plunger adjusts itself automatically when the brake light switch is inserted.



- _ Guide switch through mounting hole, press against pedal and secure by turning 45° clockwise.
- Install driver's storage compartment → [Rep. Gr.68](#).

After adjusting the brake light switch check whether the brake pedal is on the end stop (rest position).

