

**Audi > A8/A8L > 2004-2008
Body Interior
70 - Removal and Installation**

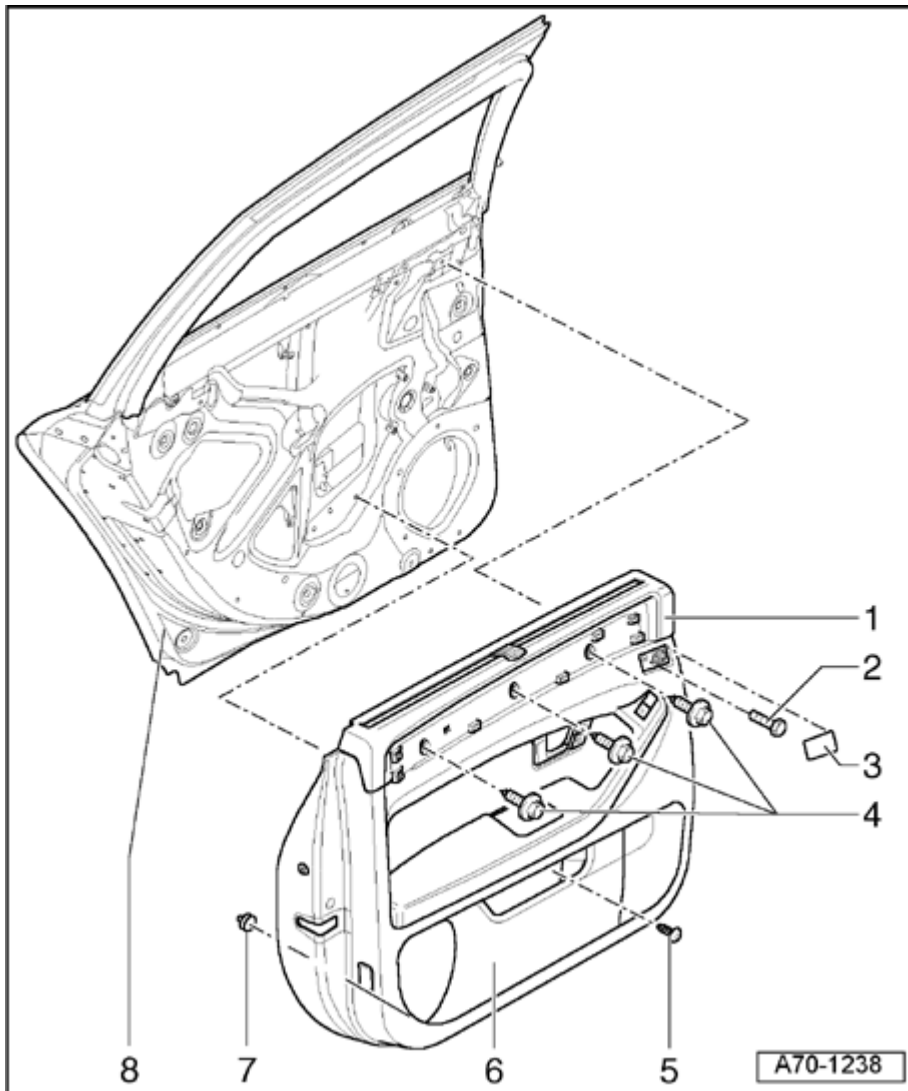
.

Rear Door Trim

- ⇒ [Rear Door Trim](#)
- ⇒ [Trim Molding](#)
- ⇒ [Insulation](#)
- ⇒ [Rear Door Armrest](#)
- ⇒ [Window Regulator Switch Strip](#)
- ⇒ [Door Warning Lamps and Footwell Lighting](#)
- ⇒ [Treble Speaker Trim](#)
- ⇒ [Treble Speaker](#)
- ⇒ [Triangular Trim](#)
- ⇒ [Interior Door Release Mechanism with Central Locking Switch](#)
- ⇒ [Hinged Pocket with Mount](#)
- ⇒ [Hinged Pocket](#)
- ⇒ [Mechanical Sun Shade](#)
- ⇒ [Sun Shade Mounting Hooks](#)
- ⇒ [Power Sun Shade Housing](#)
- ⇒ [Power Sun Shade Drive Motor](#)
- ⇒ [Power Sun Shade Side Blind Control Module](#)

.

Rear Door Trim



1 - Door trim

✦ Removing

- Use a screwdriver to pry out treble speaker panel - **3** - .

- Remove screw - **2** - .

- Remove screw - **5** - .

Do not open hinged pocket - **6** - .

- With sun shade: Remove decorative panel ⇒ [Trim Molding](#) .

- Remove the bolts - **4** - .

- Unclip door trim - **1** - starting from below at clips - **7** - (Qty. 8).

- Disengage release for interior door mechanism ⇒ [Disengage release](#)
- Disconnect harness connector on window regulator control module ⇒ [Disconnecting harness connector at window regulator control module](#) .
- Disconnect harness connector on bass speaker ⇒ [Disconnecting harness connector on bass speaker](#) .

- ◆ Installing

- Make sure that all clips - 7 - on rear side of door trim are clipped in. Replace damaged clips ⇒ [Door trim securing clip](#) .
- Install door trim - 1 - in reverse order of removal.

2 - Screw

- ◆ A nut is installed on vehicles with long wheel base.
- ◆ Tightening torque: 3 Nm.

3 - Treble speaker panel

4 - Bolts

- ◆ 4 bolts are installed on vehicles with long wheel base.
- ◆ Tightening torque: 3 Nm.

5 - Screw

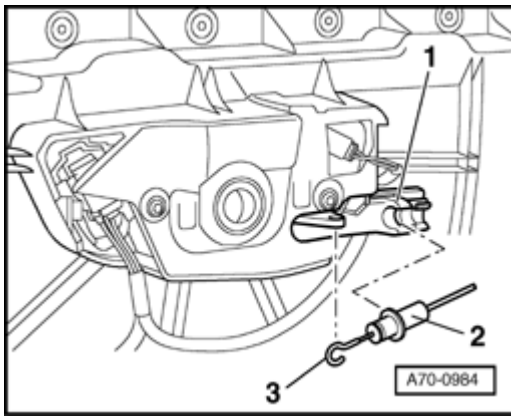
- ◆ A nut is installed on vehicles with long wheel base.
- ◆ Tightening torque: 3 Nm.

6 - Hinged pocket with mount

7 - Clips (Qty. 8)

8 - Door shell

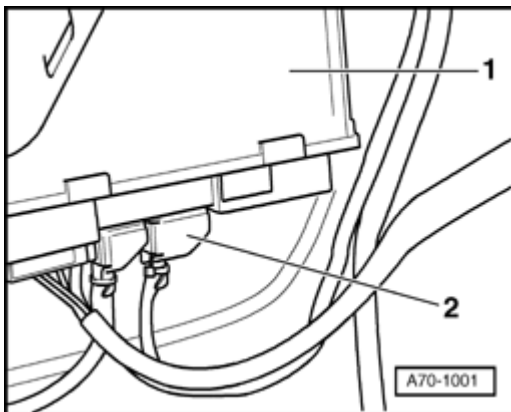
.



Disengage release

- Pull cable - 2 - from guide - 1 - .
- Disengage hook - 3 - .

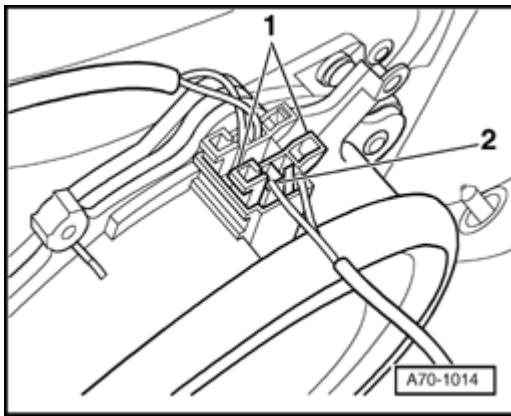
.



Disconnecting harness connector at window regulator control module

- Push in catch on rear side of connector - 2 - and disconnect connector - 2 - from control module - 1 - .

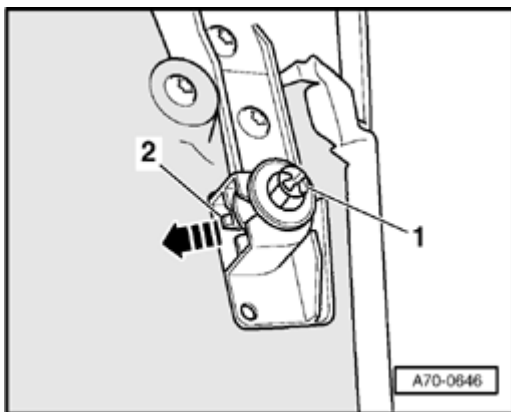
.



Disconnecting harness connector on bass speaker

= Press retainers - 1 - (Qty. 2) together and disconnect connector - 2 - .

.



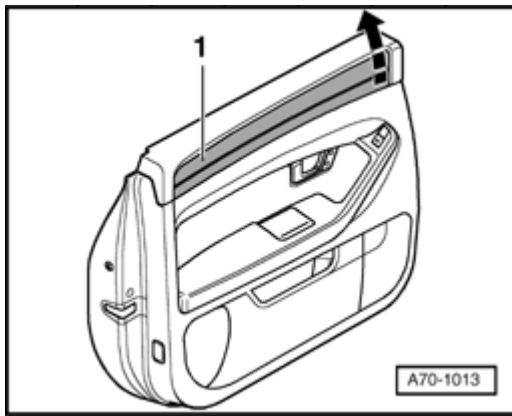
Door trim securing clip

= Press catch - 2 - and remove clip - 1 - in direction of arrow.

.

Trim Molding

Removing



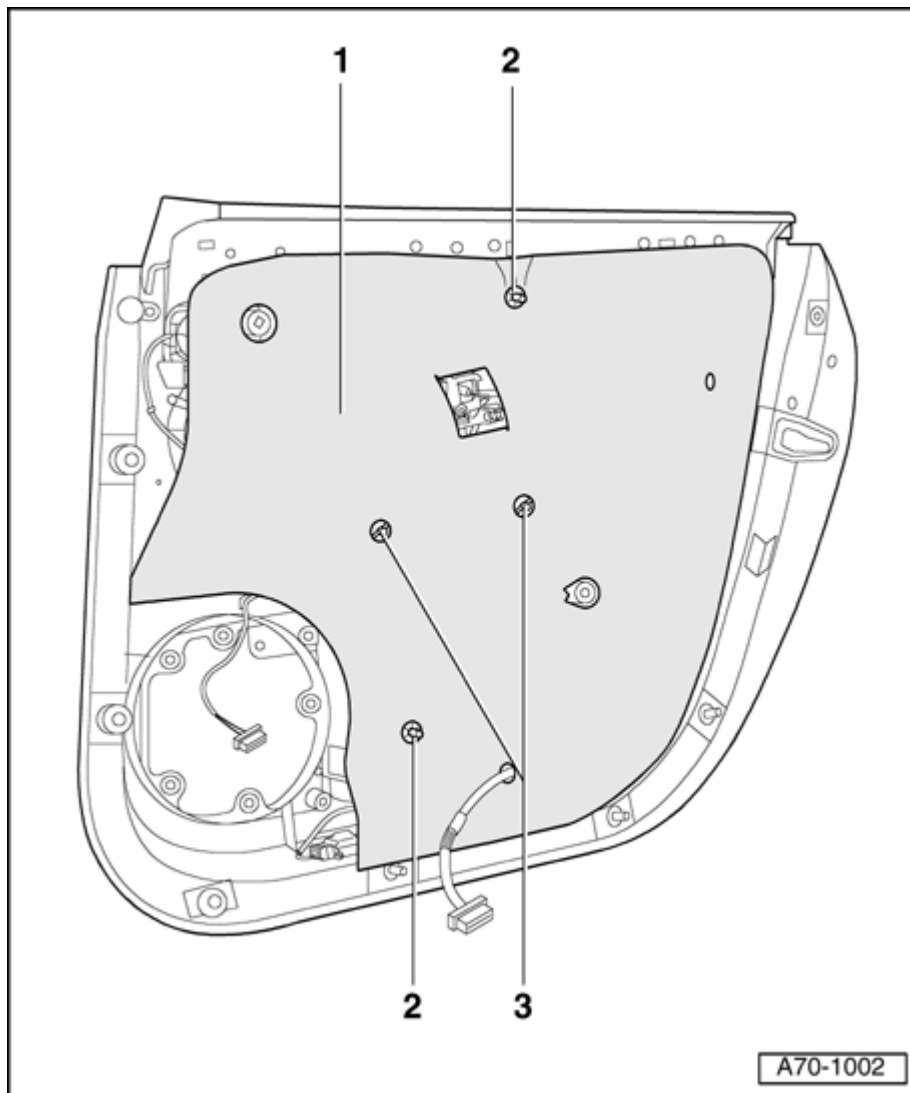
- Carefully pry out decorative panel - 1 - in direction of arrow.
- Remove decorative panel - 1 - toward front.

Installing

- Install decorative panel - 1 - in reverse order of removal.

.

Insulation



1 - Insulation

✦ Removing

- Remove door trim ⇒ [Rear Door Trim](#) .
- Unscrew brackets - **3** - (Qty. 2).
- Using a screwdriver, pry off circlips - **2** - (Qty. 2).
- Remove insulation - **1** - .

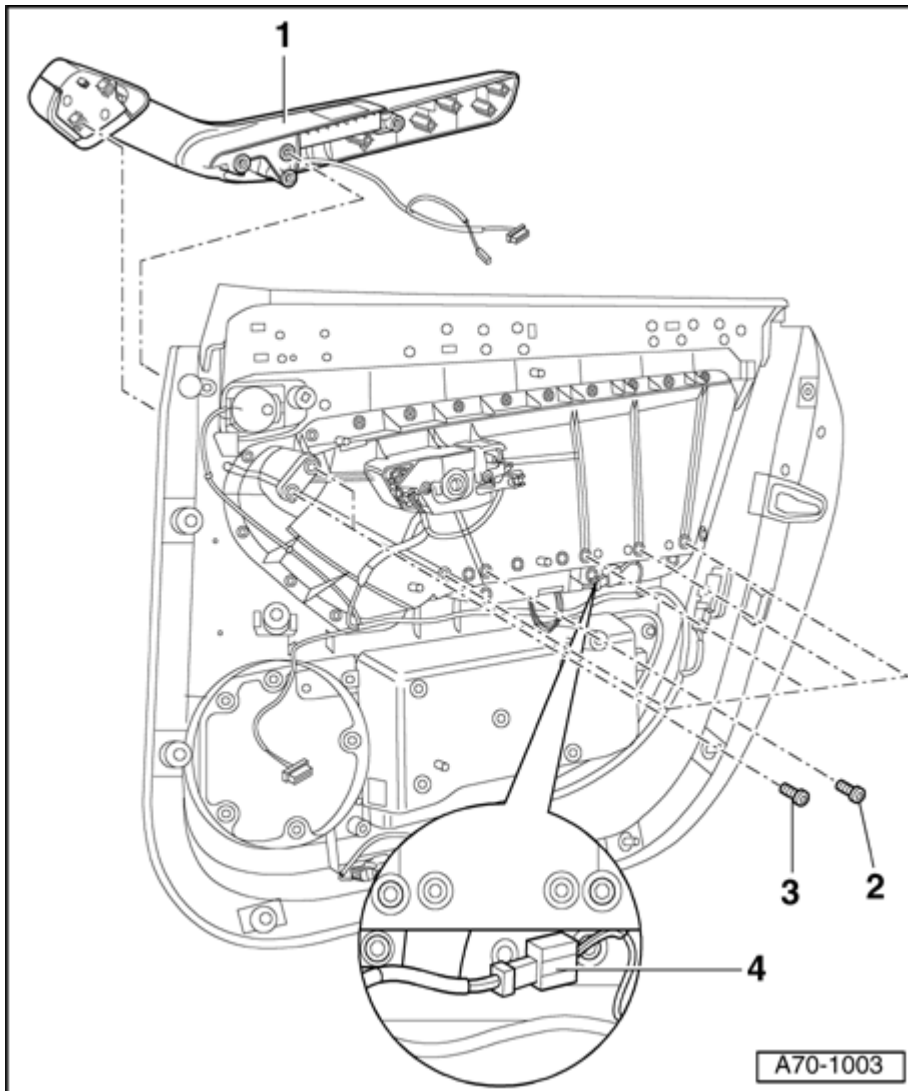
✦ Installing

- Install insulation - **1** - in reverse order of removal.

2 - Circlips (Qty. 2)

3 - Retainers (Qty. 2)

Rear Door Armrest



1 - Armrest

◆ Removing

- Remove door trim ⇒ [Rear Door Trim](#) .
- Remove insulation ⇒ [Insulation](#) .
- Remove bolts - **2** - (Qty. 9).

- Remove bolts - **3** - (Qty. 2).
- Disconnect harness connector for window regulator switch strip - **4** - .
- Remove armrest - **1** - .

◆ Installing

- Install armrest - **1** - in reverse order of removal.

2 - Screws (Qty. 9)

3 - Screws, (Qty. 2)

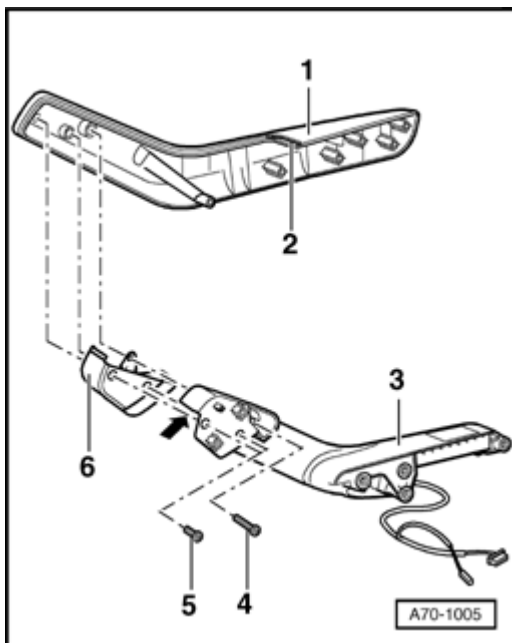
4 - Harness connector for window regulator switch strip

.

Window Regulator Switch Strip

Removing

- Remove door trim ⇒ [Rear Door Trim](#) .
- Remove insulation ⇒ [Insulation](#) .
- Remove armrest ⇒ [Rear Door Armrest](#) .



- Remove bolts - **5** - (Qty. 2).
- ✦ Tightening torque: 2 Nm.
- Remove screw - **4** - .
- ✦ Tightening torque: 2 Nm.
- Pull out front part - **3** - of armrest - **1** - from guide - **2** - .
- Slide down cover - **6** - toward rear.
- Disconnect harness connector on inside of front part - **arrow** - .

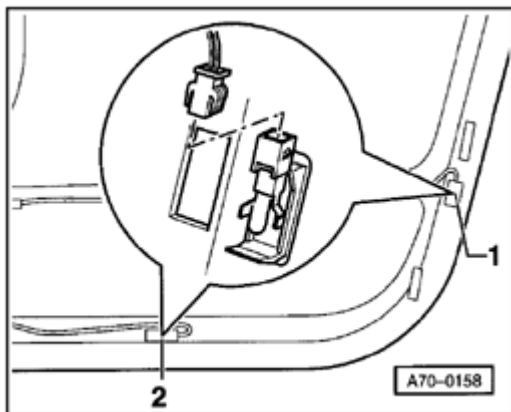
Installing

- Install window regulator switch strip in reverse order of removal.

.

Door Warning Lamps and Footwell Lighting

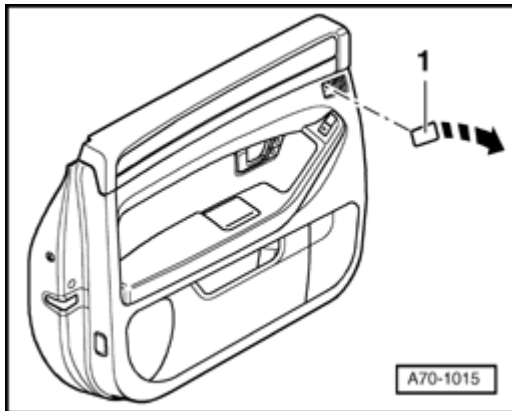
- Remove door trim ⇒ [Rear Door Trim](#) .



- Using a screwdriver, pry out door warning light - **1** - from below and pull out door warning light - **1** - with cable.
- Disconnect connector on door warning light - **1** - .
- Using a screwdriver, pry out exit light - **2** - from below and pull out exit light - **2** - with cable.
- Disconnect connector on exit light - **2** - .

.

Treble Speaker Trim

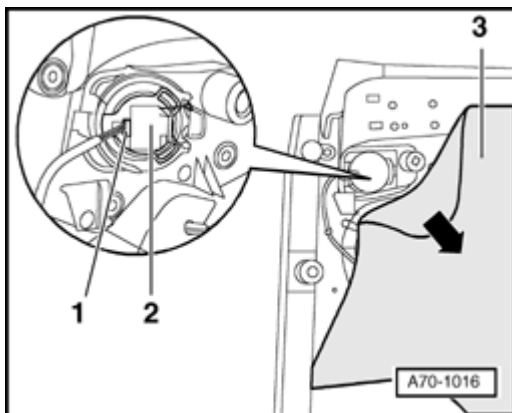


- Carefully use a screwdriver to pry out treble speaker trim - **1** - in direction of arrow.

.

Treble Speaker

- Remove door trim ⇒ [Rear Door Trim](#) .



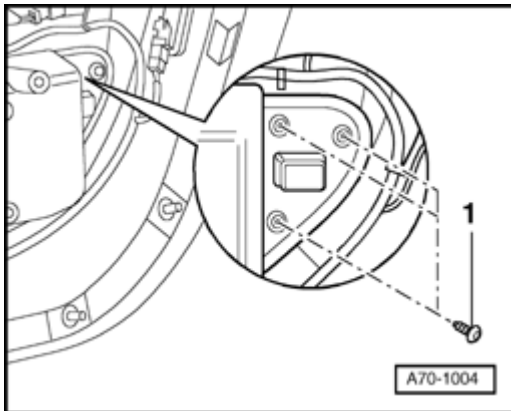
- Fold insulation - **3** - away in direction of arrow.
- Remove connector - **1** - .
- Unclip treble speaker - **2** - .

.

Triangular Trim

Removing

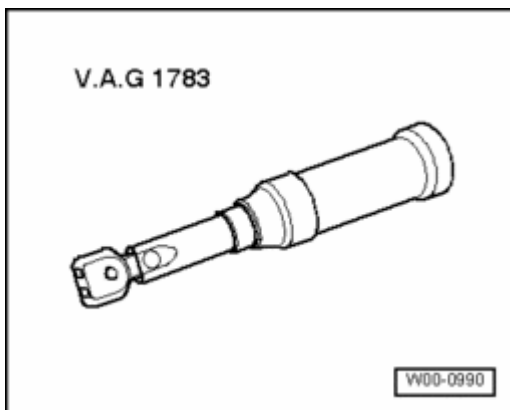
- Remove door trim ⇒ [Rear Door Trim](#) .



- Remove bolts - 1 - (Qty. 3).
- Remove triangular panel on front side of door trim.

Interior Door Release Mechanism with Central Locking Switch

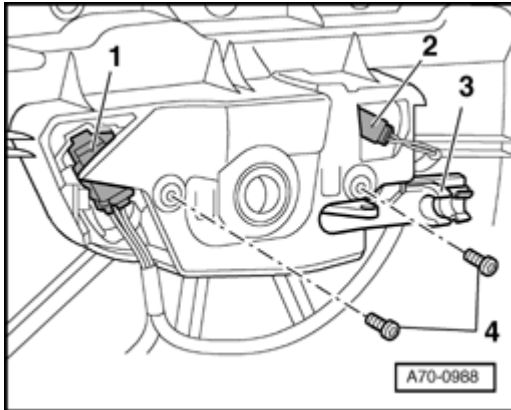
Special tools, testers and auxiliary items required



- * Torque wrench V.A.G 1783

Removing

- Remove door trim ⇒ [Rear Door Trim](#) .
- Remove insulation ⇒ [Insulation](#) .



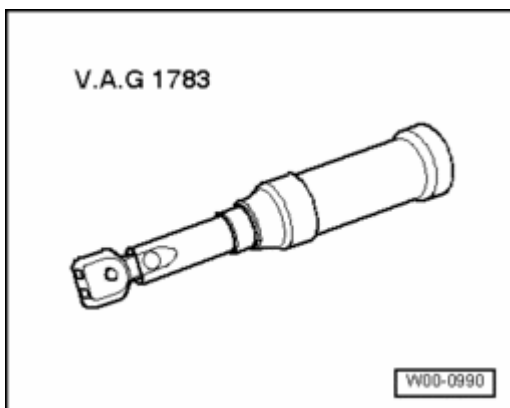
- Remove connector - **1** - .
- Remove connector - **2** - .
- Remove bolts - **4** - (Qty. 2).
- ✦ Tightening torque: 2 Nm.
- Remove inner door mechanism on front side of door trim.

Installing

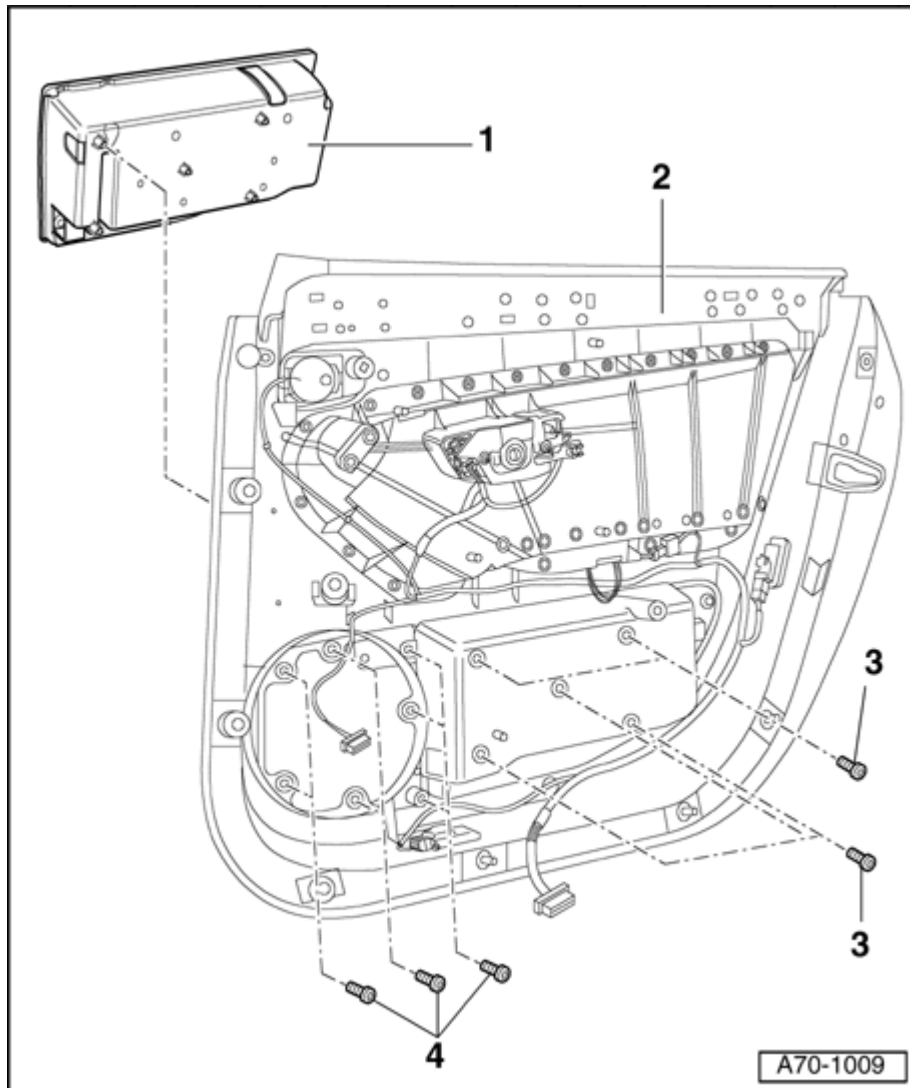
- Make sure that cable of connector - **2** - lies behind bracket - **3** - .
- Install interior door mechanism in reverse order of removal.

Hinged Pocket with Mount

Special tools, testers and auxiliary items required



♦ Torque wrench V.A.G 1783



1 - Hinged pocket with mount

♦ Removing

- Remove door trim ⇒ [Rear Door Trim](#) .
- Remove insulation ⇒ [Insulation](#) .
- Remove bolts - **3** - (Qty. 5).
- Remove bolts - **4** - (Qty. 7).
- Remove hinged pocket with mount - **1** - on front side of door trim - **2** - .

◆ Installing

- Install hinged pocket with mount - **1** - in reverse order of removal.

2 - Door trim

3 - Bolts (Qty. 5)

- ◆ Tightening torque: 2 Nm.

4 - Bolts (Qty. 7)

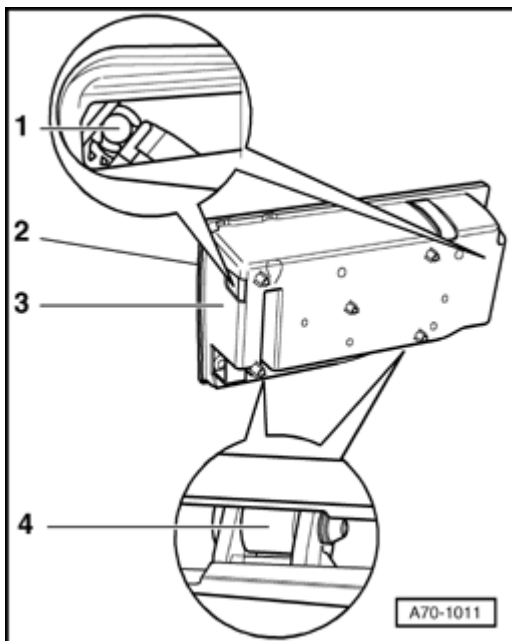
- ◆ Tightening torque: 2 Nm.

.

Hinged Pocket

Removing

- Remove door trim ⇒ [Rear Door Trim](#) .
- Remove insulation ⇒ [Insulation](#) .
- Remove hinged pocket with mount ⇒ [Hinged Pocket with Mount](#) .



- Pull out pins - **1** - (Qty. 2) using pliers.

- Using a screwdriver, pry out bolts - **4** - (Qty. 2).
- Remove hinged pocket - **2** - from mount - **3** - .

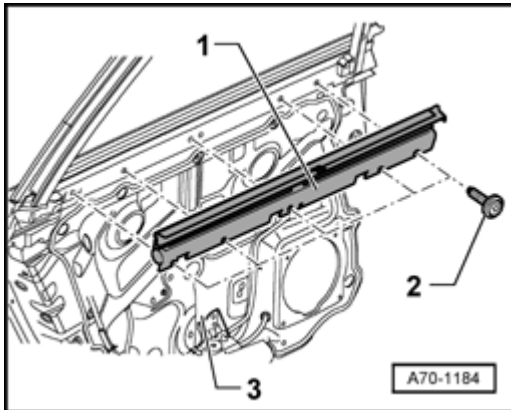
Installing

- Install hinged pocket - **2** - in reverse order of removal.

Mechanical Sun Shade

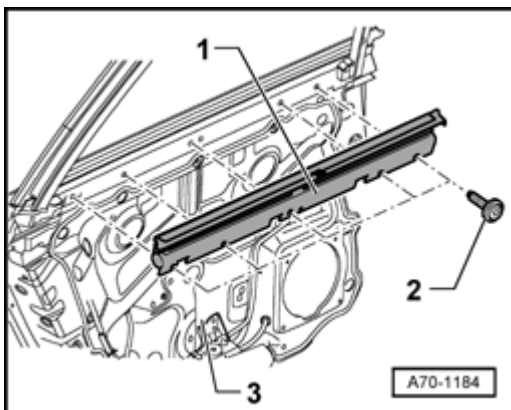
Removing

- Remove door trim ⇒ [Rear Door Trim](#) .

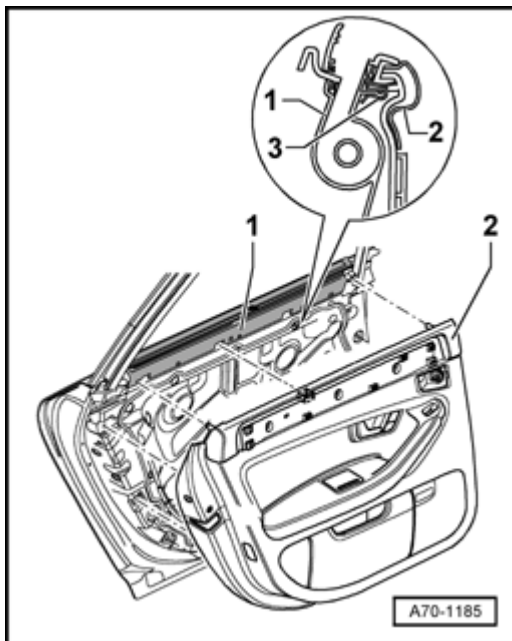


- Remove bolts - **2** - (Qty. 5).
- Remove sun shade - **1** - from door - **3** - .

Installing



- Install sun shade - **1** - on door - **3** - .
- Tighten bolts - **2** - (Qty. 5) to the specified Tightening torque:.
- Make sure all the clips on the rear side of the door trim are clipped in.
- Replace damaged clips ⇒ [Door trim securing clip](#) .
- Engage cable for interior door mechanism ⇒ [Disengage release](#) .
- Connect harness connector on window regulator control module ⇒ [Disconnecting harness connector at window regulator control module](#) .
- Connect harness connector on bass speaker ⇒ [Disconnecting harness connector on bass speaker](#) .



- Guide door trim - **2** - on to sun shade - **1** - and position door trim.
- Clip in door trim - **2** - to sun shade - **1** - (4 clips).
- 3 - Clips
- Install door trim ⇒ [Rear Door Trim](#) .

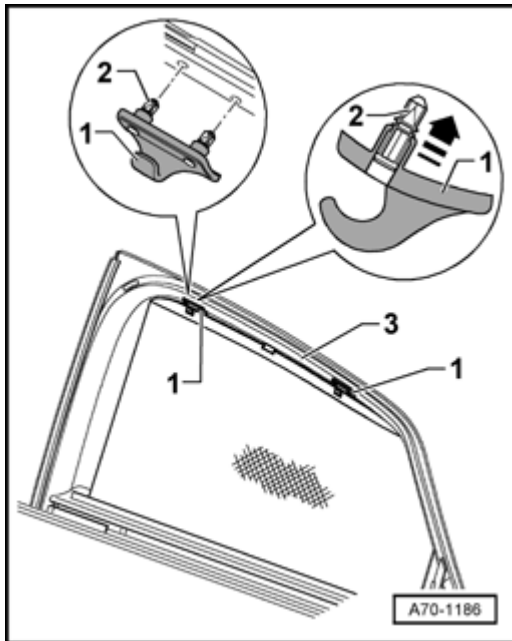
Tightening torque:

Sun shade to door: 3 Nm

.

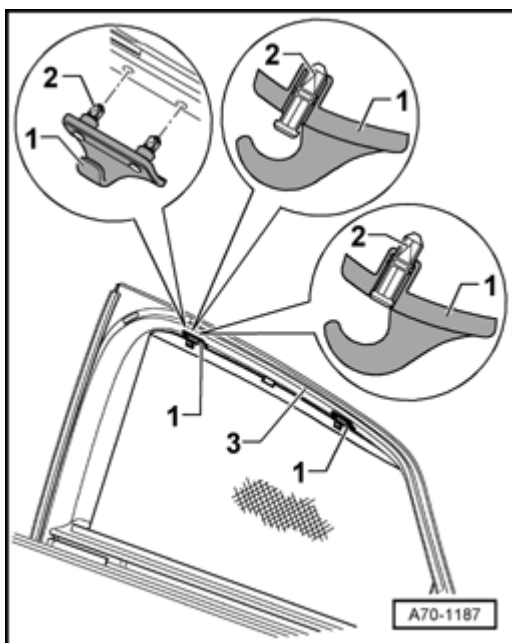
Sun Shade Mounting Hooks

Removing



- Press pins - 2 - (Qty. 2) lightly in direction of arrow.
- Remove securing hook - 1 - from door frame - 3 - .

Installing

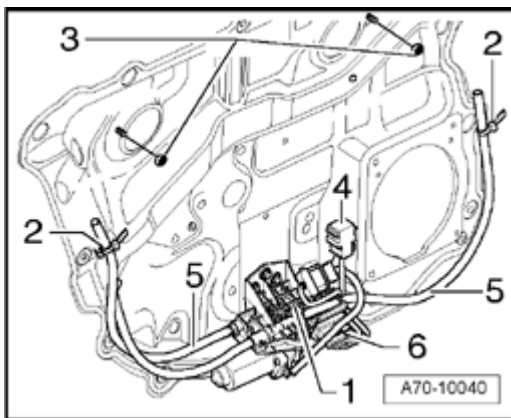


- Position pins - **2** - of securing hook - **1** - to holes in door frame - **3** - .
- Fit securing hook - **1** - on door frame.
- Press in pins - **2** - far enough until they lock.

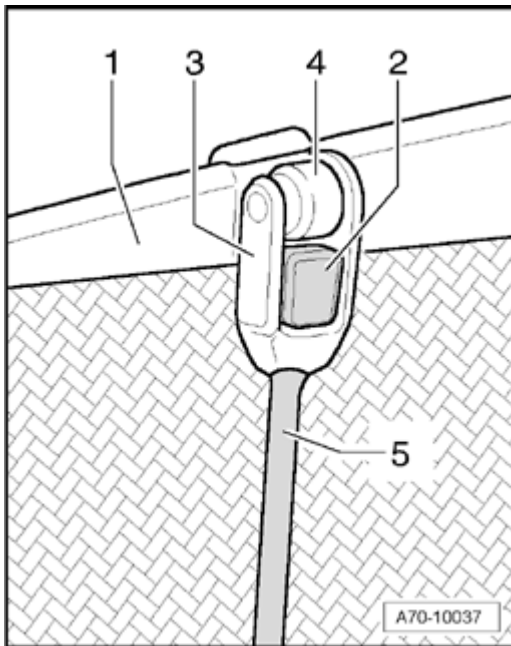
Power Sun Shade Housing

Removing

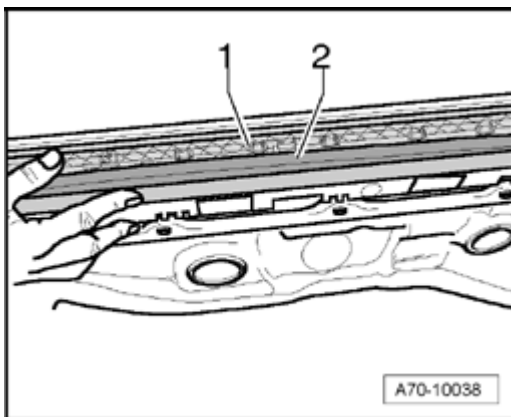
- Remove door trim ⇒ [Rear Door Trim](#) .
- To remove sun shade, the sun shade must be brought into service mode. To do this, roll out the shade in the rear door via the switch in roof module.



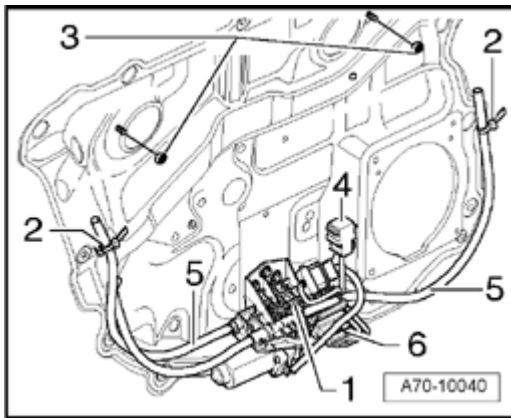
- Roll sun shade in rear door in again via switch in roof module, while doing this the switch in roof module must remain pressed for a minimum of 5 seconds.
- Disconnect harness connector - **4** - to sun shade control module.
- Connect harness connector - **4** - to sun shade control module. Service mode has been activated by doing this.



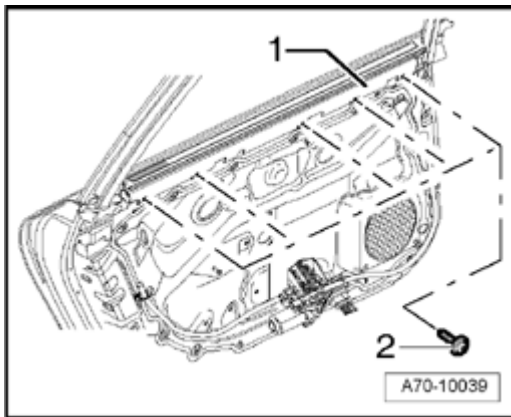
- Press switch in roof module. The sun shade rolls out approximately 150 mm.
- Unscrew window regulator motor ⇒ Body Exterior - Repair Group 58 .
- Slide the door window down.
- Using a small flat screwdriver, unclip retaining clips - 2 - on the top side between sun shade - 4 - and retaining clips - 2 - .



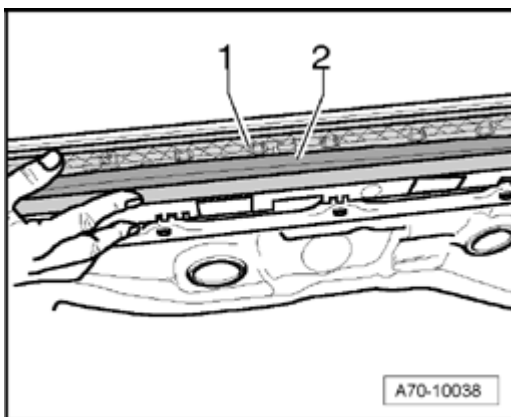
- Pull shafts - 5 - out of mounts - 3 - . When doing this, hold sun shade firmly in place so that it is not drawn in.
- A second technician is needed for the next two steps.
- Hold cover - 1 - open and let the sun shade - 2 - roll in until there is only a small portion left.



- Drive in the shafts via switch in roof module, while doing this the switch in roof module must remain pressed for a minimum of 5 seconds.

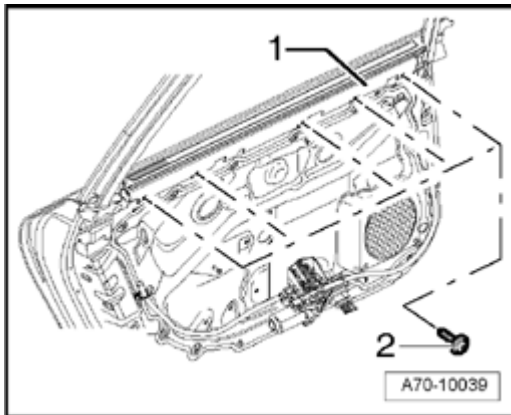


- Disconnect harness connector - 4 - to sun shade control module.
- Remove bolts - 2 - (Qty. 5).
- Carefully pull out sun shade housing - 1 - upward.



Installing

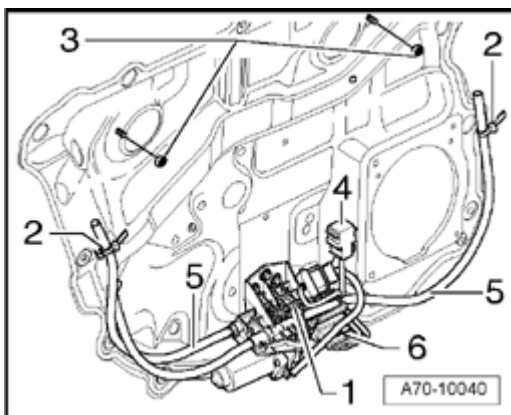
- Hold cover - 1 - open.



- Pull sun shade - 2 - slightly out of sun shade housing.
- Slide sun shade housing - 1 - on to door frame, when doing this the shafts in sun shade housing - 1 - must be guided in and shaft heads must be visible.

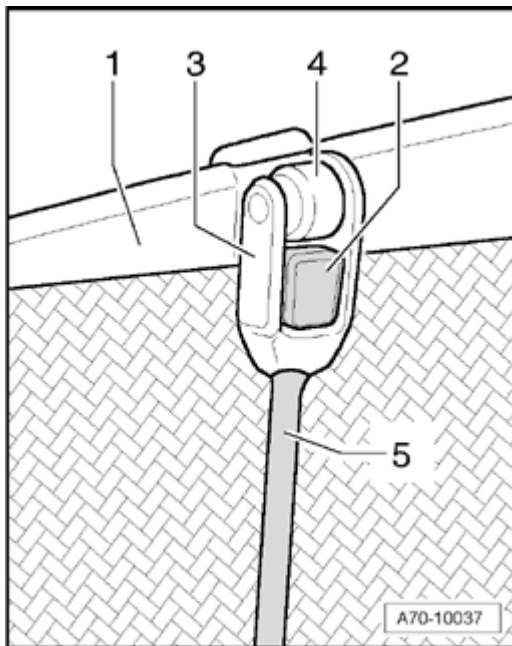
Note:

- * *Sun shade must not pull itself into sun shade housing.*



- Tighten bolts - 2 - (Qty. 5) of sun shade housing. 3 Nm.
- Connect harness connector - 4 - to sun shade control module.
- Connect harness connector to window regulator motor.
- A second technician is needed for the next two steps.
- Open cover of sun shade housing again and pull out sun shade slightly.

- Roll out shafts via the switch in roof module (approximately 150 mm).



- Pull out sun shade far enough until it can be engaged on shafts.
- Clip in retaining clips - **2** - (Qty. 2).
- Roll in the sun shade via switch in roof module.
- Install window regulator motor ⇒ Body Exterior - Repair Group 58 .
- Close window.

The electric sun shade must be adapted anew, proceed as follows to do so.

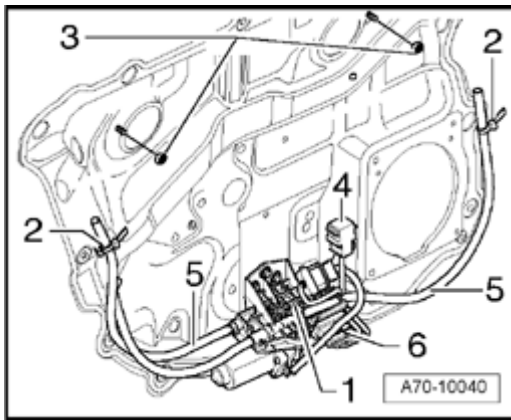
- Drive out sun shade completely via switch in roof module and continue pressing for at least another 6 seconds. This starts an automatic initialization routine.
- Install door trim ⇒ [Rear Door Trim](#) .

.

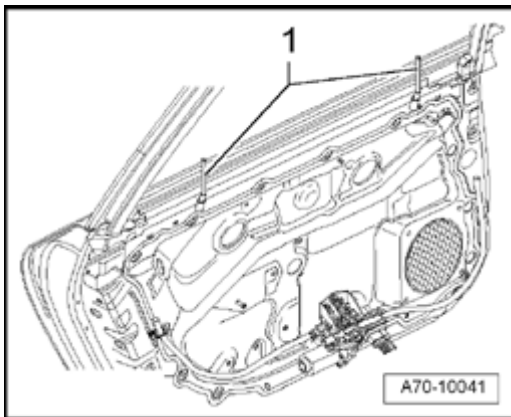
Power Sun Shade Drive Motor

Removing

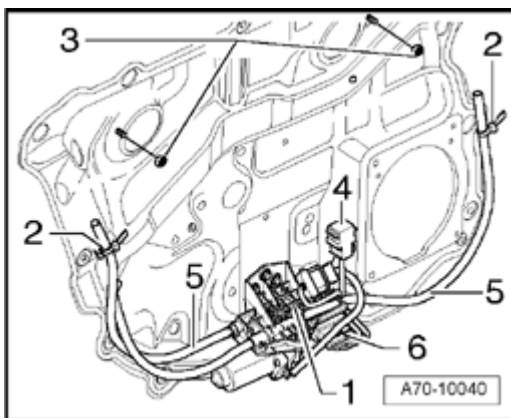
- Remove door trim ⇒ [Rear Door Trim](#) .



- Remove electric sun shade housing ⇒ [Power Sun Shade Housing](#) .
- Cut cable ties - 2 - on ductwork - 5 - and on cable harness.

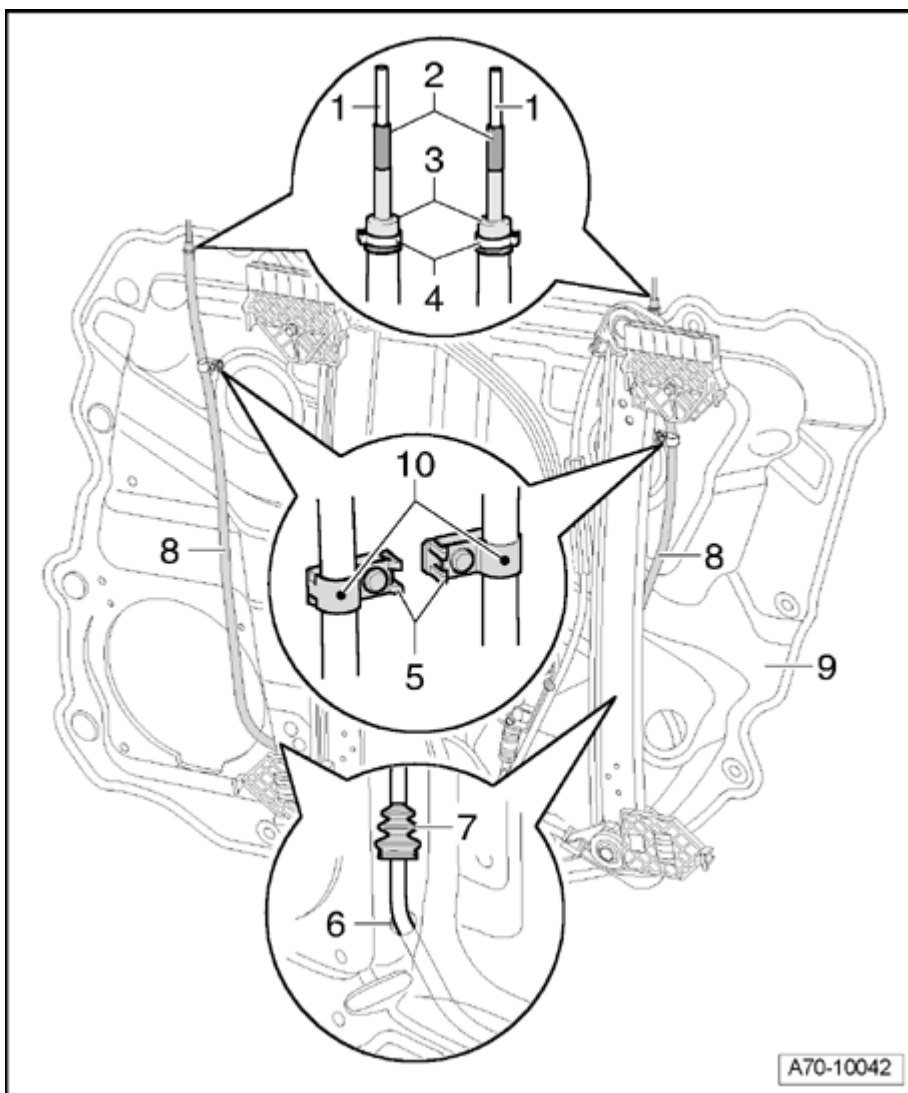


- Disconnect harness connector - 4 - to electric sun shade motor - 1 - .
- Insert Guide Sleeves T40077 - 1 - .

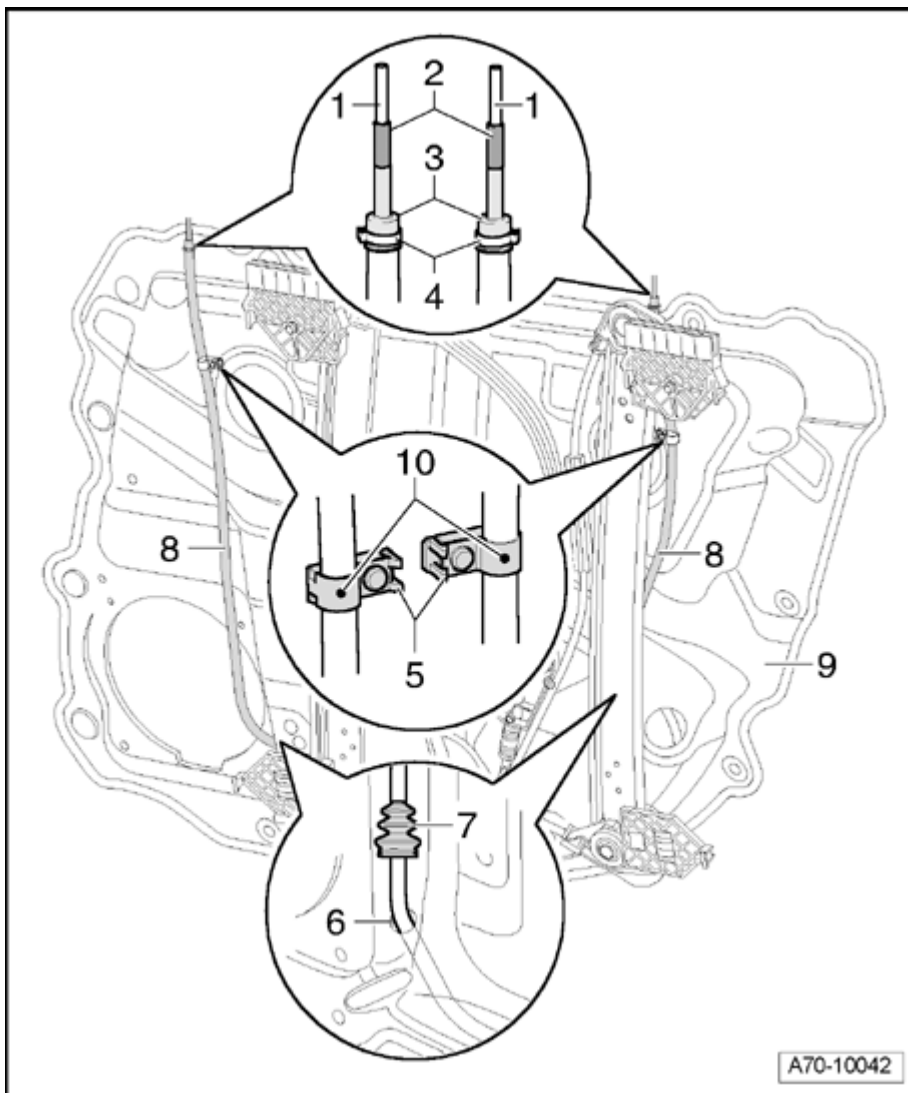


- Remove rear assembly carrier ⇒ Body Exterior - Repair Group 58 .

- Remove nuts - **3** - .
- Rotate assembly carrier on to the rear side.
- Open hose clamps - **4** - (Qty. 2).
- Pull off protective sleeves - **2** - (Qty. 2) upward.
- Pull off end caps - **3** - (Qty. 2) upward.
- Remove pipe clamps - **5** - (Qty. 2) over guide tubes - **8** - .
- Pull rubber grommets - **7** - (Qty. 2) out of holes - **6** - .



- Pull off rubber grommets - **7** - (Qty. 2) over guide tubes - **8** - .



1 - Shaft

2 - Protective sleeves

3 - End caps

4 - Hose clamps

5 - Pipe clamps

* Pipe clamps point inward on vehicles with long wheel base. Depicted in the illustration.

* Pipe clamps point outward on vehicles with short wheel base.

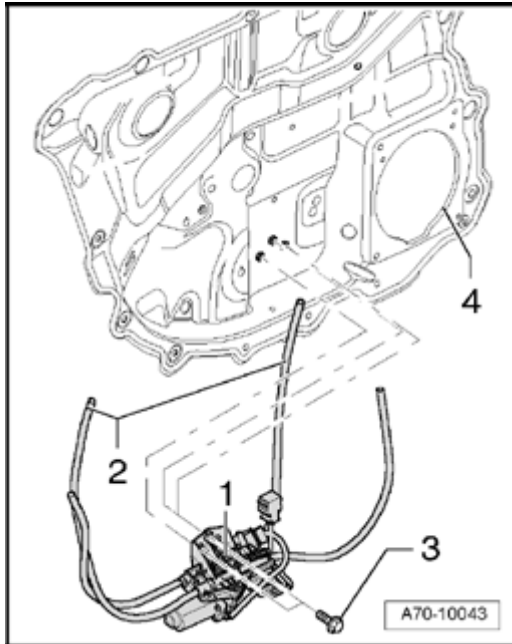
6 - Holes in assembly carrier

7 - Rubber grommet

8 - Guide tubes

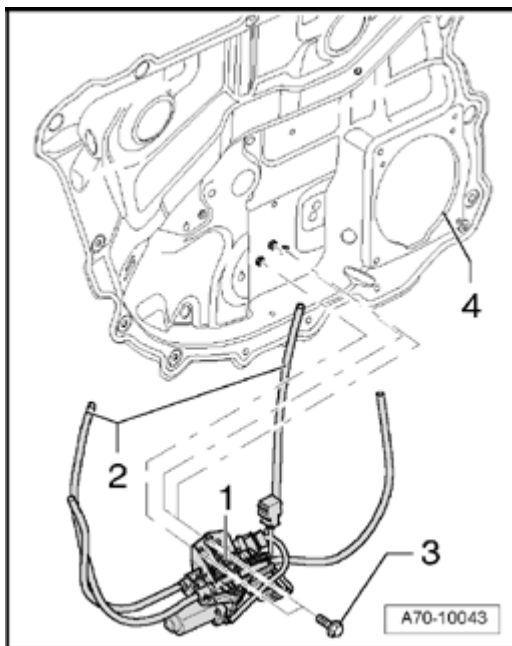
9 - Assembly carrier

10 - Retaining tabs



- Remove the bolts - 3 - .

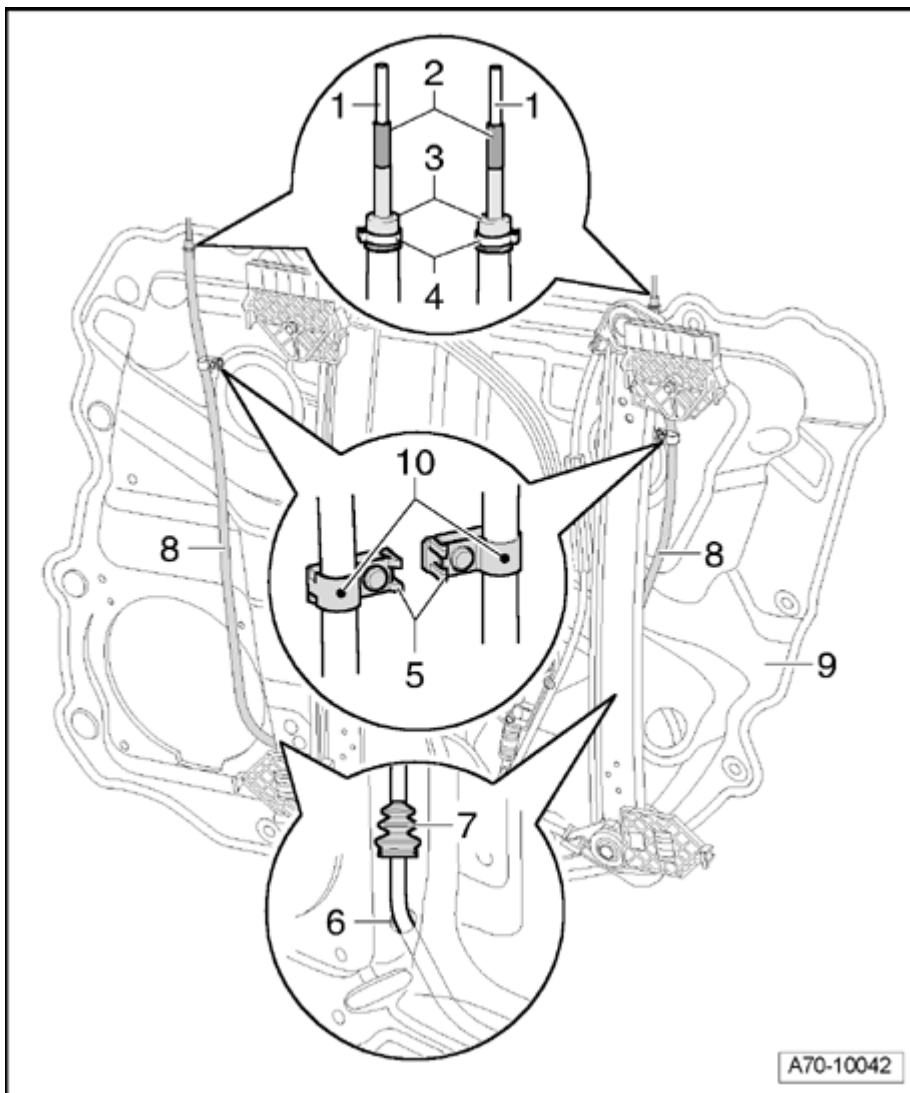
- Pull drive motor for electric sun shade - 1 - with guide tubes - 2 - out of assembly carrier - 4 - .



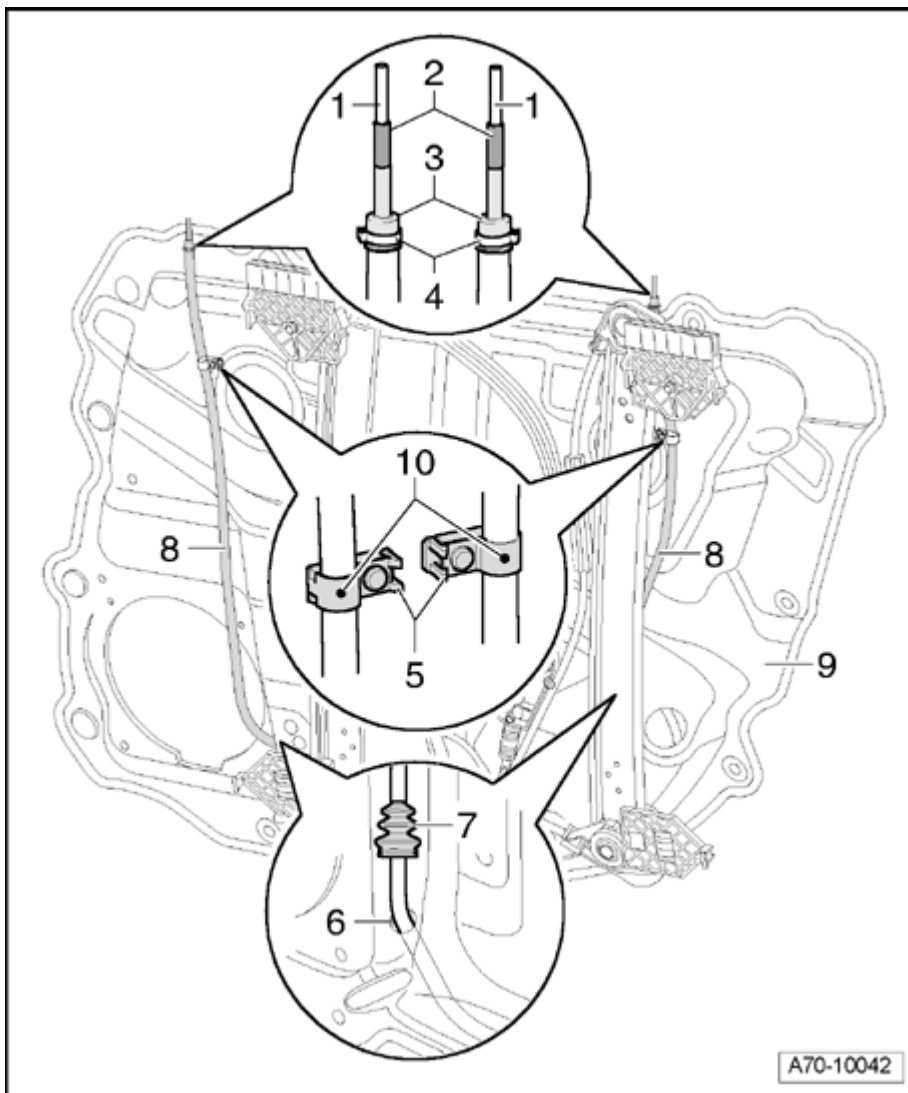
Installing

Note:

- ✦ *For new parts: Remove drive motor for electric sun shade on both guide tubes at the same time from packaging.*
- Slide drive motor for electric sun shade - **1** - with guide tubes - **2** - into assembly carrier - **4** - .
- Loosely screw in bolts - **3** - .
- Rotate assembly carrier on to the rear side.
- Slide rubber grommets - **7** - (Qty. 2) over guide tubes - **8** - .
- Push rubber grommets - **7** - (Qty. 2) into holes - **6** - .
- Vehicles with long wheel base: slide pipe clamps - **5** - (Qty. 2) over guide tubes - **8** - so that they point to each other, refer to illustration.
- Vehicles with short wheel base: slide pipe clamps - **5** - (Qty. 2) over guide tubes - **8** - so that they point outward.
- Pipe clamps - **5** - must lock with catches - **10** - .
- Insert thread of pipe clamps - **5** - into assembly carrier - **9** - .
- Loosely screw in nuts of pipe clamps - **5** - on the front side.
- Install end caps - **3** - (Qty. 2).



- Install hose clamps - 4 - (Qty. 2) so that they point outward, refer to illustration.



1 - Shaft

2 - Protective sleeves

3 - End caps

4 - Hose clamps

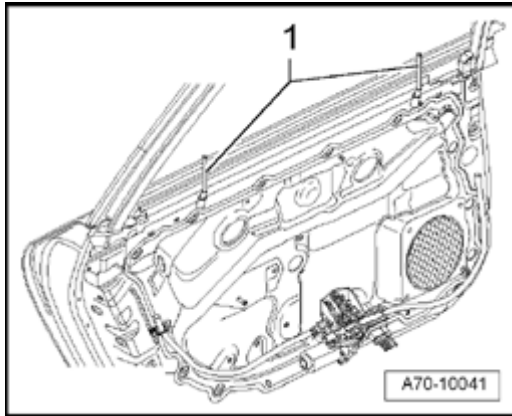
5 - Pipe clamps

* Pipe clamps point inward on vehicles with long wheel base. Depicted in the illustration.

* Pipe clamps point outward on vehicles with short wheel base.

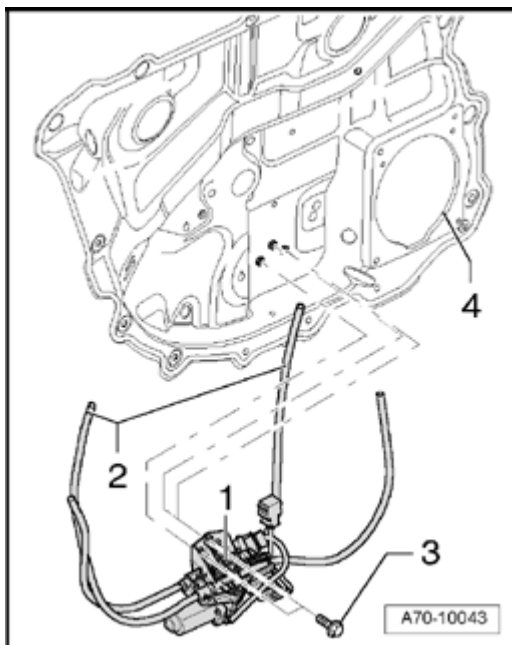
6 - Holes in assembly carrier

7 - Rubber grommet

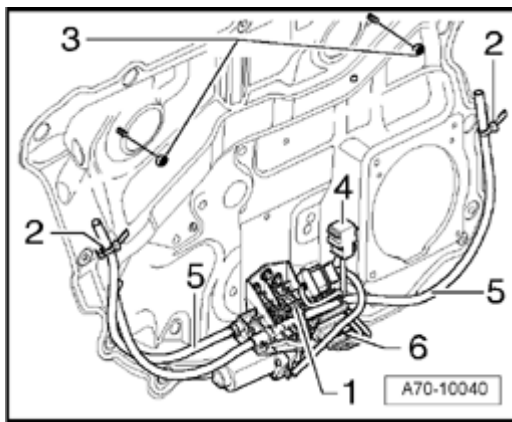
8 - Guide tubes**9 - Assembly carrier****10 - Retaining tabs**

= Install guide sleeves - 1 - .

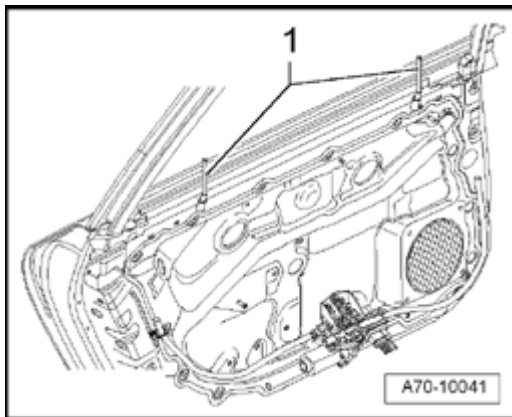
- Install rear assembly carrier \Rightarrow Body Exterior - Repair Group 58 while doing this guide shafts into guide sleeves T40077 - 1 - from below.



- Tighten bolts of assembly carrier. 3.5 Nm.



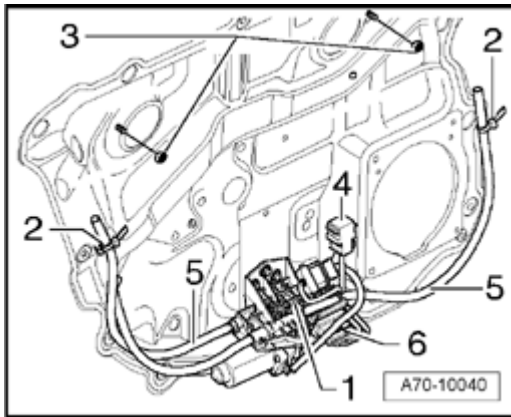
- Tighten bolts - 3 - . 4 Nm
- Tighten nuts - 3 - . 4 Nm.
- Install cable ties - 2 - on ductwork - 5 - and on cable harness.
- Reinstall loosened or cut cable ties at same locations as before removal.



- Connect harness connector - 4 - to electric sun shade motor - 1 - .
- Remove Guide Sleeves T40077 - 1 - .
- Install protective sleeves .
- Protective sleeves must not make contact door frame rather must be slide through drilling up to the end caps .
- Install electric sun shade housing ⇒ [Power Sun Shade Housing](#) .

Power Sun Shade Side Blind Control Module

- Remove door trim ⇒ [Rear Door Trim](#) .
- Remove electric sun shade housing ⇒ [Power Sun Shade Housing](#) .



- Remove drive motor for electric sun shade ⇒ [Power Sun Shade Drive Motor](#) .
- Disengage Side Blind Control Module J719 - 8 - and slide Side Blind Control Module J719 - 8 - out of mount.

Note:

- * *The software version appears as a three digit number in small print behind the original part number. Software less than 004 must not be installed in the vehicle.*

Copyright © 2008 Audi of America, Inc. and Bentley Publishers. All rights reserved. Last processed: