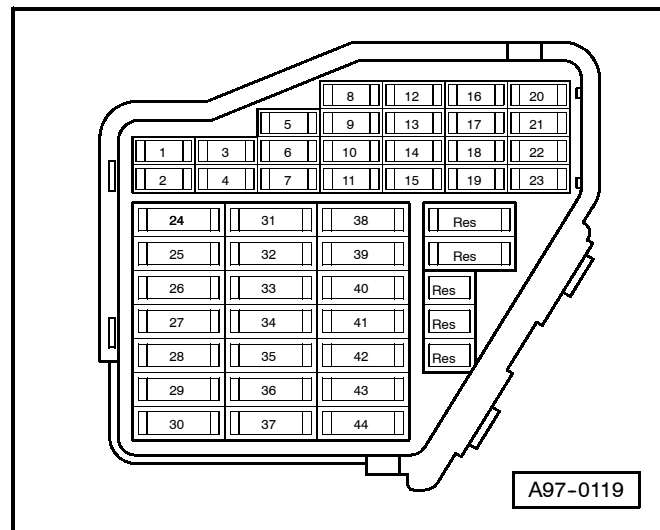


Anti-Lock Brake System (ABS 5.7) with Anti-Slip Regulation (ASR), Electronic Brake Distribution (EBD) and Electronic Stabilization Program (ESP)

2004 m.y.



Fuse Panel Instrument Panel left

Fuse Colors:

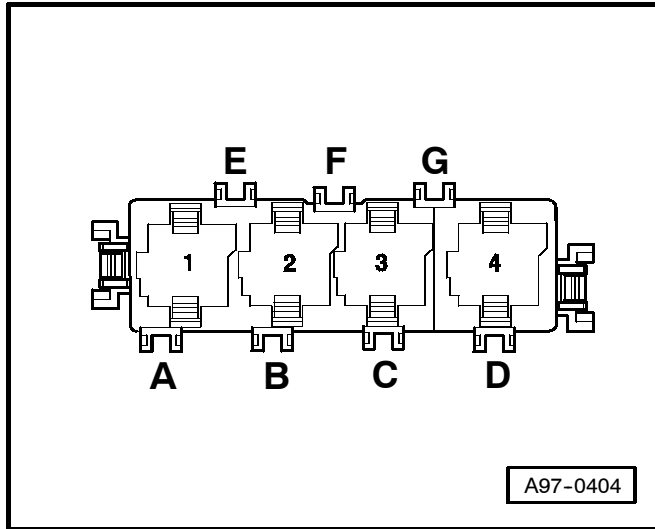
- 30 A - Green
- 25 A - White
- 20 A - Yellow
- 15 A - Blue
- 10 A - Red
- 7,5 A - Brown
- 5 A - Beige
- 1 A - Black

- SB - Fuses in Fuse Panel Instrument Panel, left
- SC - Fuses in Fuse Panel Instrument Panel, right
- SD - Fuses in Fuse Panel Luggage Compartment, left
- SF - Fuses in Fuse Panel Luggage Compartment, right

Relay Panel in E-Box plenum chamber

Relay Location:

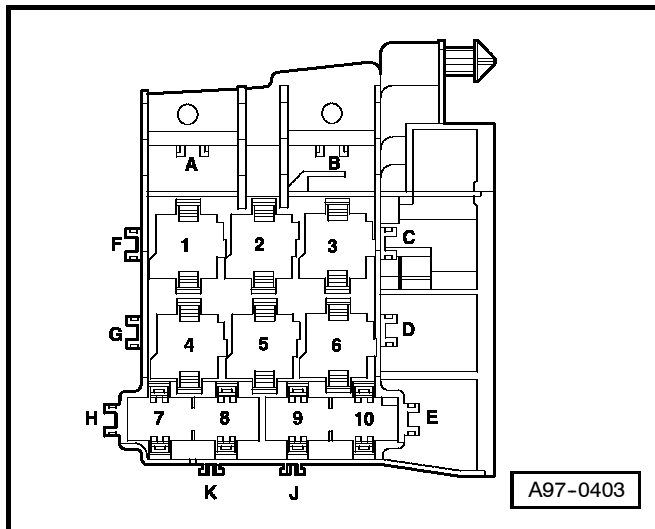
2 - Motronic Engine Control Module (ECM) Power Supply Relay, J271

**Relay and Fuse Panel behind Instrument Panel, left**

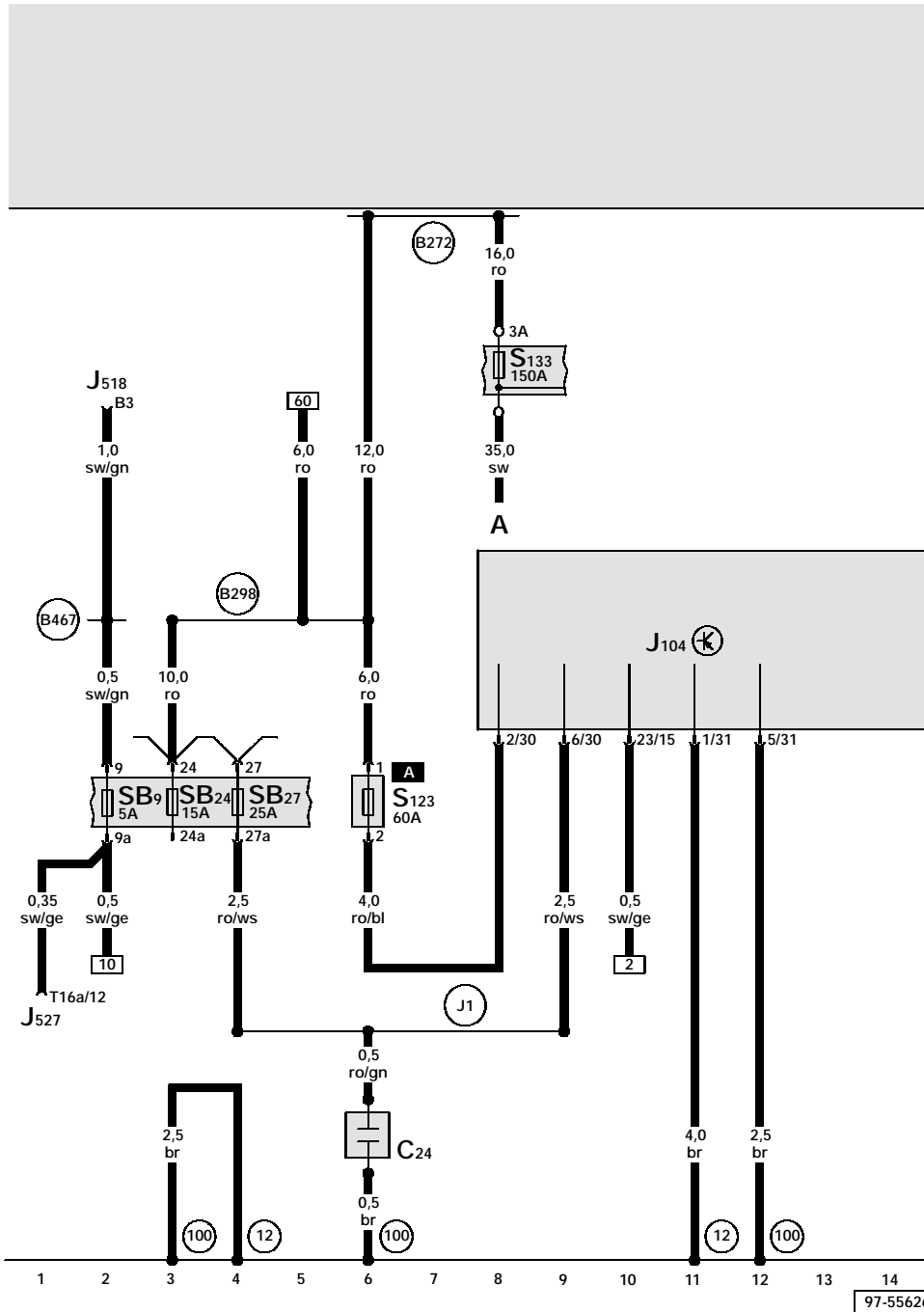
Relay Location:

3 - Voltage Supply Terminal 15 (B+) Relay, J329

A - Fuse 1 for Control Module - ABS, S123



ABS Control Module, Fuse 1 for Control Module - ABS



- A - Battery
 - C24 - Suppressor
 - J104 - ABS Control Module (w/EDL)
 - J518 - Access/Start Control Module
 - J527 - Steering Column Electronic Systems Control Module
 - S123 - Fuse for 1 for control module - ABS
 - S133 - Safety fuse 3, 150 A, in Luggage Compartment, right rear
 - SB 9 - Fuse 9 (in fuse holder)
 - SB 24 - Fuse 24 (in fuse holder)
 - SB 27 - Fuse 27 (in fuse holder)
 - T16a - 16-Pin Connector, on Steering Column Electronic Systems Control Module
-
- (12) - Ground connection, in engine compartment, left
 - (100) - Ground connection -1-, in ABS wiring harness
 - (B272) - Plus Connection (30) (in main wiring harness)
 - (B298) - Plus Connection 2 (30) (in main wiring harness)
 - (B467) - Connection 3 (in main wiring harness)
 - (J1) - Plus connection (30), in ABS wiring harness

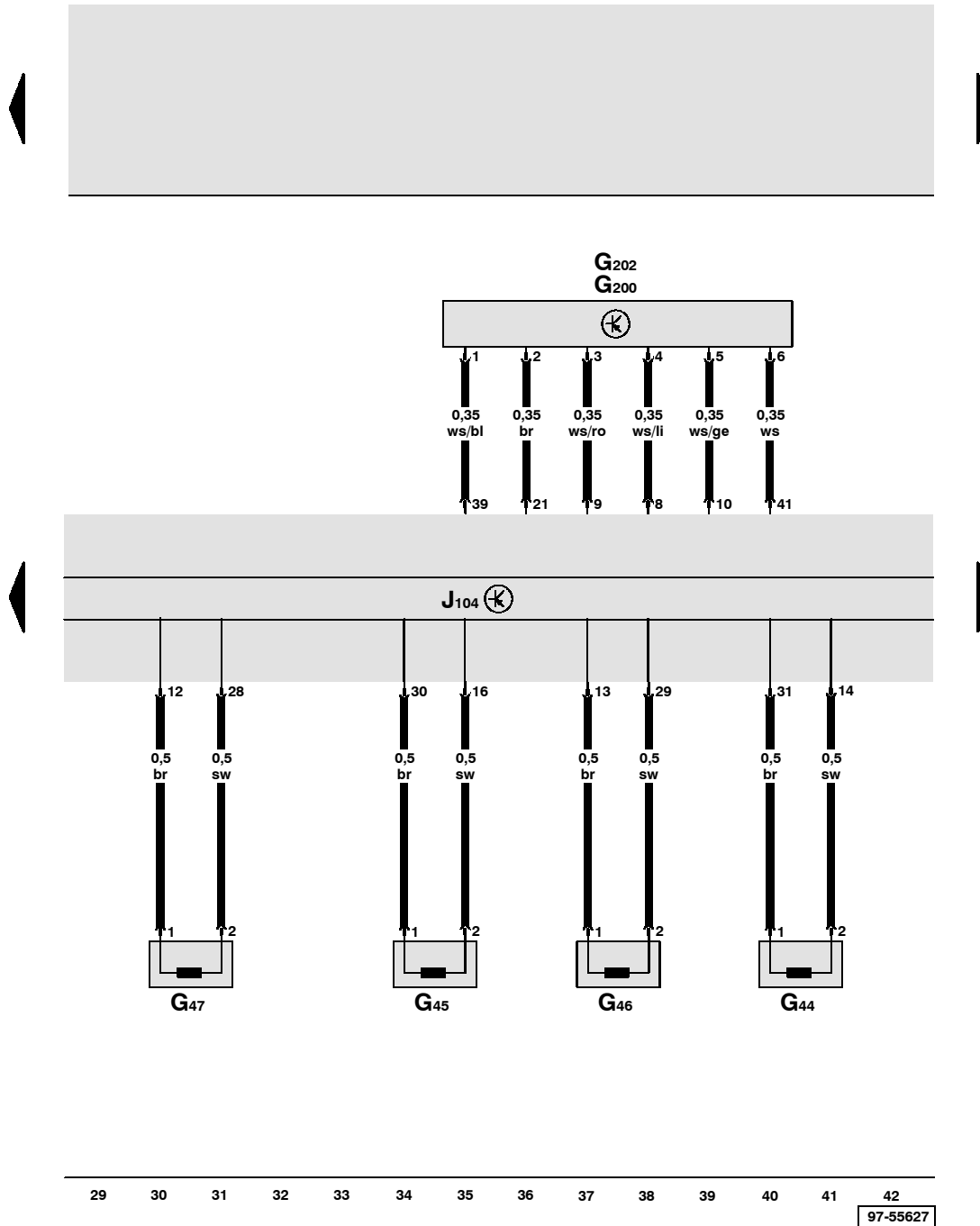
ws = white
 sw = black
 ro = red
 br = brown
 gn = green
 bl = blue
 gr = grey
 li = violet
 ge = yellow
 or = orange

97-55626

ABS Control Module, ABS Wheel Speed Sensor, Sensor for Transverse Acceleration, Sender for Rotation Rate

- G44 - Right Rear ABS Wheel Speed Sensor
- G45 - Right Front ABS Wheel Speed Sensor
- G46 - Left Rear ABS Wheel Speed Speed Sensor
- G47 - Left Front ABS Wheel Speed Sensor
- G200 - Sensor for transverse acceleration
- G202 - Sender for Rotation Rate
- J104 - ABS Control Module (w/EDL)

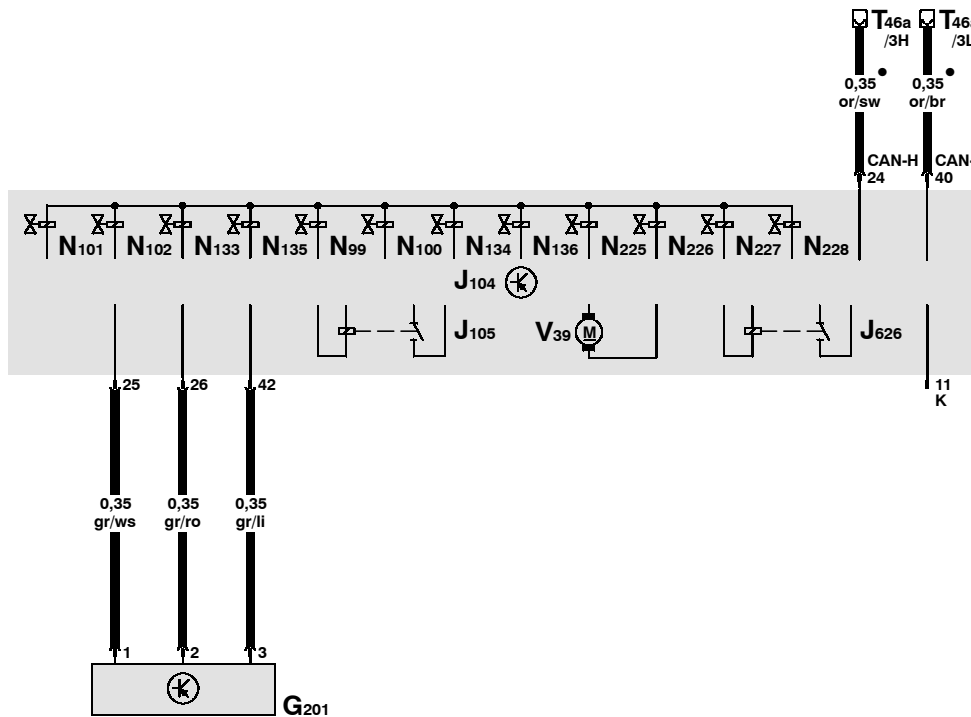
B340 - Connection 1 (58s) (in main wiring harness)



ws = white
 sw = black
 ro = red
 br = brown
 gn = green
 bl = blue
 gr = grey
 li = violet
 ge = yellow
 or = orange

ABS Control Module, ABS Return Flow Pump, ABS Inlet Valves, ABS Outlet Valves, Sender 1 for Brake Booster

- G201 - Sender 1 for brake booster
- J104 - ABS Control Module (w/EDL)
- J105 - ABS Return Flow Pump Relay
- J626 - ABS Return Flow Pump Relay 2
- N99 - Right Front ABS Inlet Valve
- N100 - Right Front ABS Outlet Valve
- N101 - Left Front ABS Inlet Valve
- N102 - Left Front ABS Outlet Valve
- N133 - Right Rear ABS Inlet Valve
- N134 - Left Rear ABS Inlet Valve
- N135 - Right Rear ABS Outlet Valve
- N136 - Left Rear ABS Outlet Valve
- N225 - Pilot valve -1- traction control (01418)
- N226 - Pilot valve -2- traction control (01419)
- N227 - High pressure switch valve -1- traction control
- N228 - High pressure switch valve -2- traction control
- T46a - 46-Pin Connector, black, CAN-Bus Disconnection plug, left
- V39 - ABS Return Flow Pump
- - CAN-Bus (Data-Bus)



ws = white
 sw = black
 ro = red
 br = brown
 gn = green
 bl = blue
 gr = grey
 li = violet
 ge = yellow
 or = orange

43 44 45 46 47 48 49 50 51 52 53 54 55 56

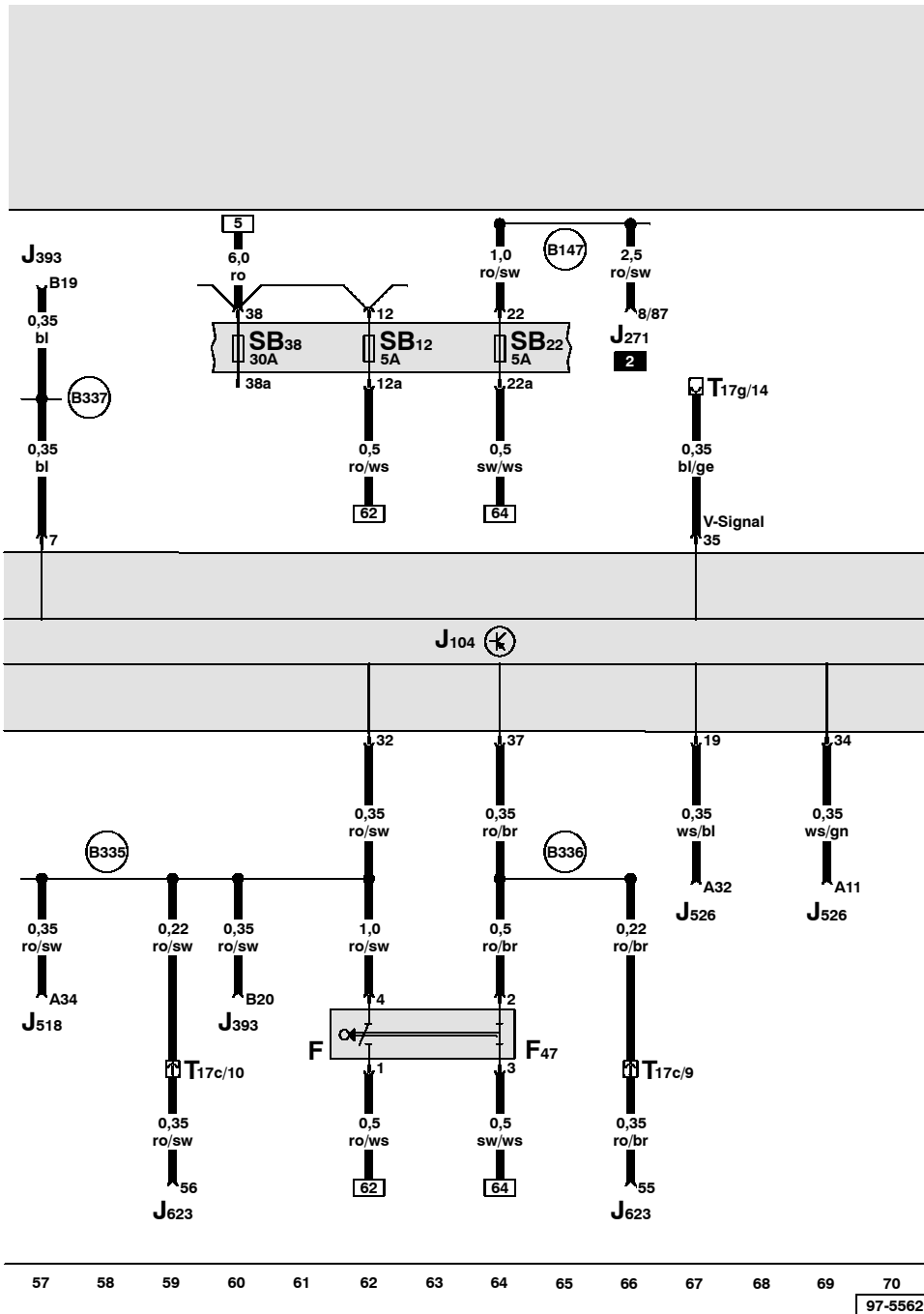
97-55628

ABS Control Module, Brake Light Switch

- F - Brake Light Switch
- F47 - Brake Vacuum Vent Valve Switch for Cruise Control
- J104 - ABS Control Module (w/EDL)
- J271 - Motronic Engine Control Module (ECM) Power Supply Relay
- J393 - Central control module for comfort system
- J518 - Access/Start Control Module
- J526 - Telephone/Telematic Control Module
- J623 - Engine Control Module (ECM)
- SB 12 - Fuse 12 (in fuse holder)
- SB 22 - Fuse 22 (in fuse holder)
- SB 38 - Fuse 38 (in fuse holder)
- T17c - 17-Pin Connector, brown, in E-Box plenum chamber
- T17g - 17-Pin Connector, grey, Relay Panel Front footwell left

- (B147) - Plus connector -2- (87), in wiring harness interior
- (B335) - Connection 1 (54) (in main wiring harness)
- (B336) - Connection 2 (54) (in main wiring harness)
- (B337) - Connection 3 (54) (in main wiring harness)

ws = white
 sw = black
 ro = red
 br = brown
 gn = green
 bl = blue
 gr = grey
 li = violet
 ge = yellow
 or = orange



97-55629