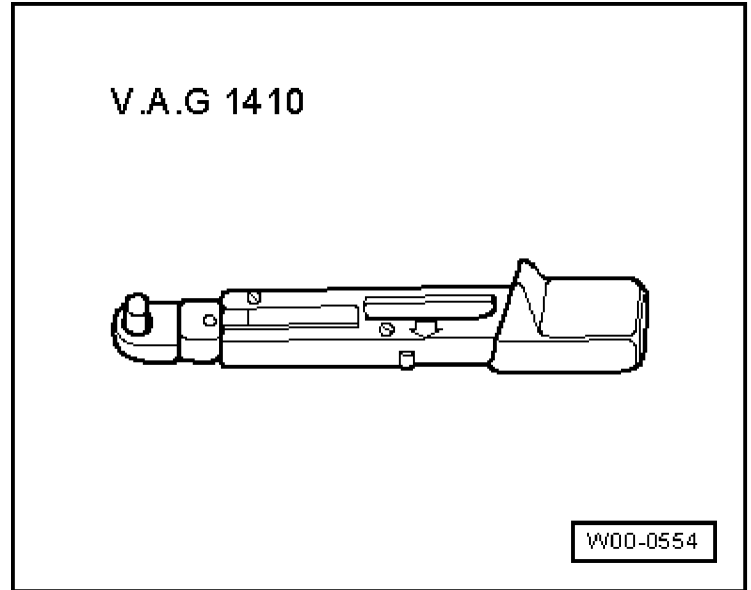


Front Door Trim, Removing and Installing

Special tools and workshop equipment required

t Torque wrench -V.A.G 1410-



1 - Door trim

t Removing

- Remove decorative panel -3-
Chapter.
- Remove screw -2-.
- Close the hinged pocket -5-.
- Remove screw -4-.
- Unclip door trim -1- starting from below at clips -6- (8x).
- Disengage release for interior door mechanism **Fig.**
- Disconnect harness connector on window regulator control module **Fig..**

t Installing

- Make sure that all clips -6- on rear side of door trim are clipped in. Replace damaged clips **Fig..**
- Install door trim -1- in reverse order of removal.

2 - Screw

- α Tightening torque 4 Nm.

3 - Trim panel

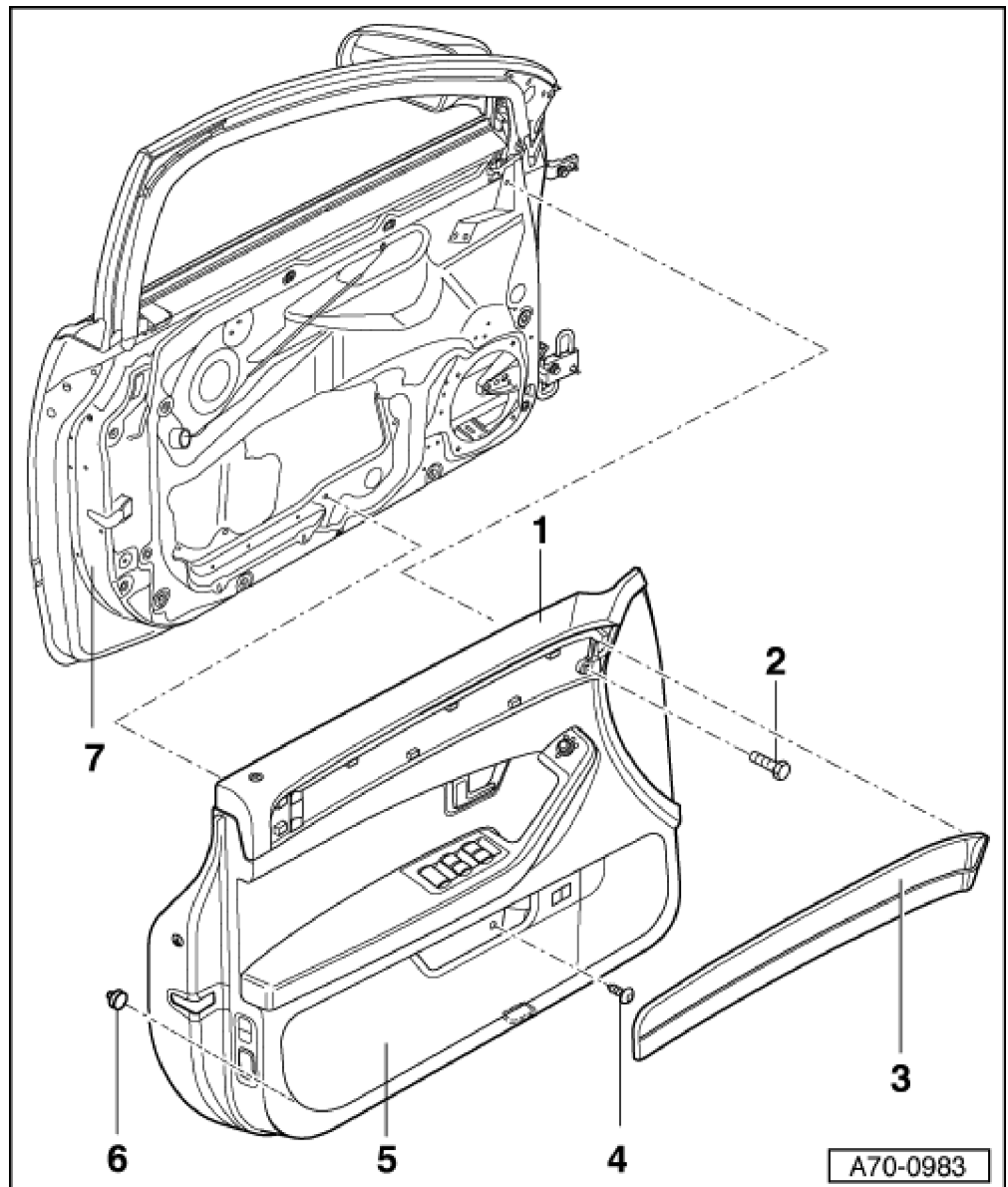
4 - Screw

- α Tightening torque 4 Nm.

5 - Hinged pocket with mount

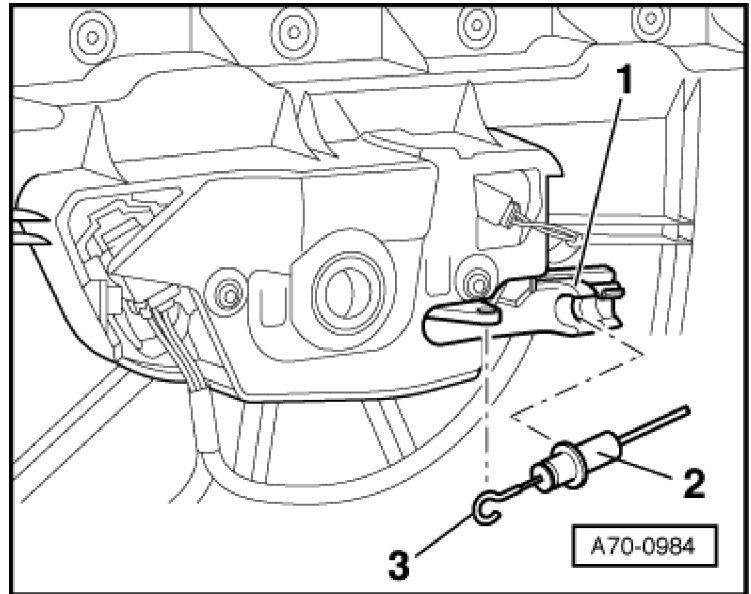
6 - Clips (8x)

7 - Door shell



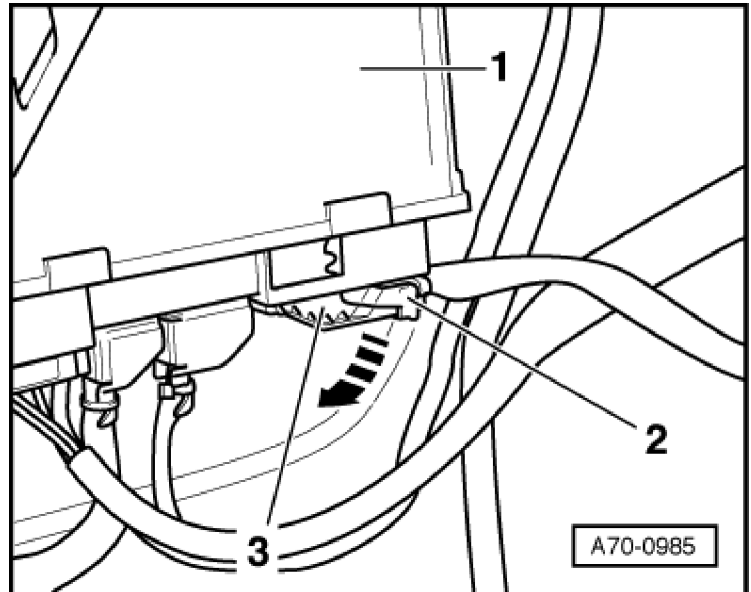
Disengaging Bowden cable for interior door mechanism

- Pull Bowden cable -2- from guide -1-.
- Disengage hook -3-.



Connector on window regulator control module

- Open securing clip -2- and disconnect connector -3- in direction of arrow from control module -1-.



Door trim securing clip

- Press catch -2- and remove clip -1- in direction of arrow.

