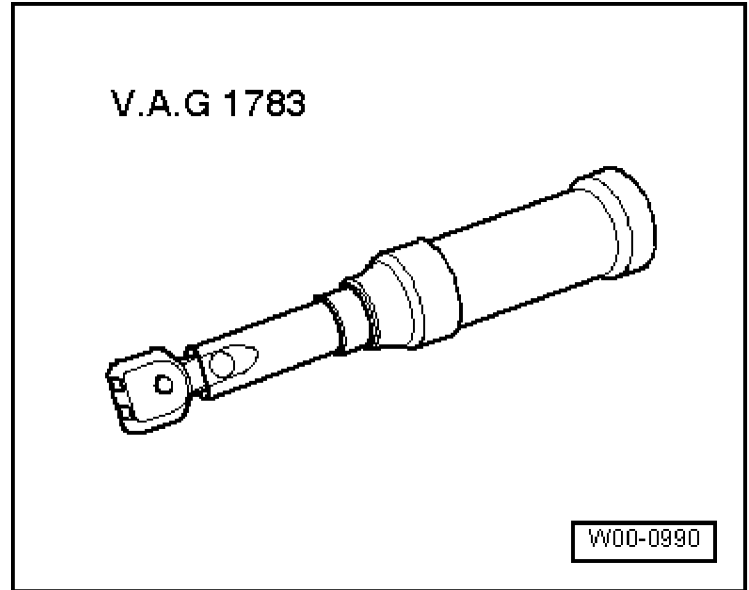


Hinged Pocket with Mount, Removing and Installing

Special tools and workshop equipment required

t Torque wrench -V.A.G 1783/-



1 - Hinged pocket with mount

t Removing

- Remove door trim **Chapter** and **Chapter**.
- Remove insulation **Chapter** and **Chapter**.
- Remove bolts -4- (8x).
- Remove bolts -3- (6x).
- Unclip connector guide -6- from door trim -2-.
- Disconnect connector -5-.
- Remove the connector guide -6- from the connector -5-.
- Remove hinged pocket with mount -1- on front side of door trim -2-.

t Installing

- Install hinged pocket with mount -1- in reverse order of removal.

2 - Door trim

3 - Screws (qty. 6)

- q Tightening torque 2 Nm.

4 - Bolts (qty. 8)

- q Tightening torque 2 Nm.

5 - Harness connector for tank lid/rear lid release switch strip

6 - Connector guide

