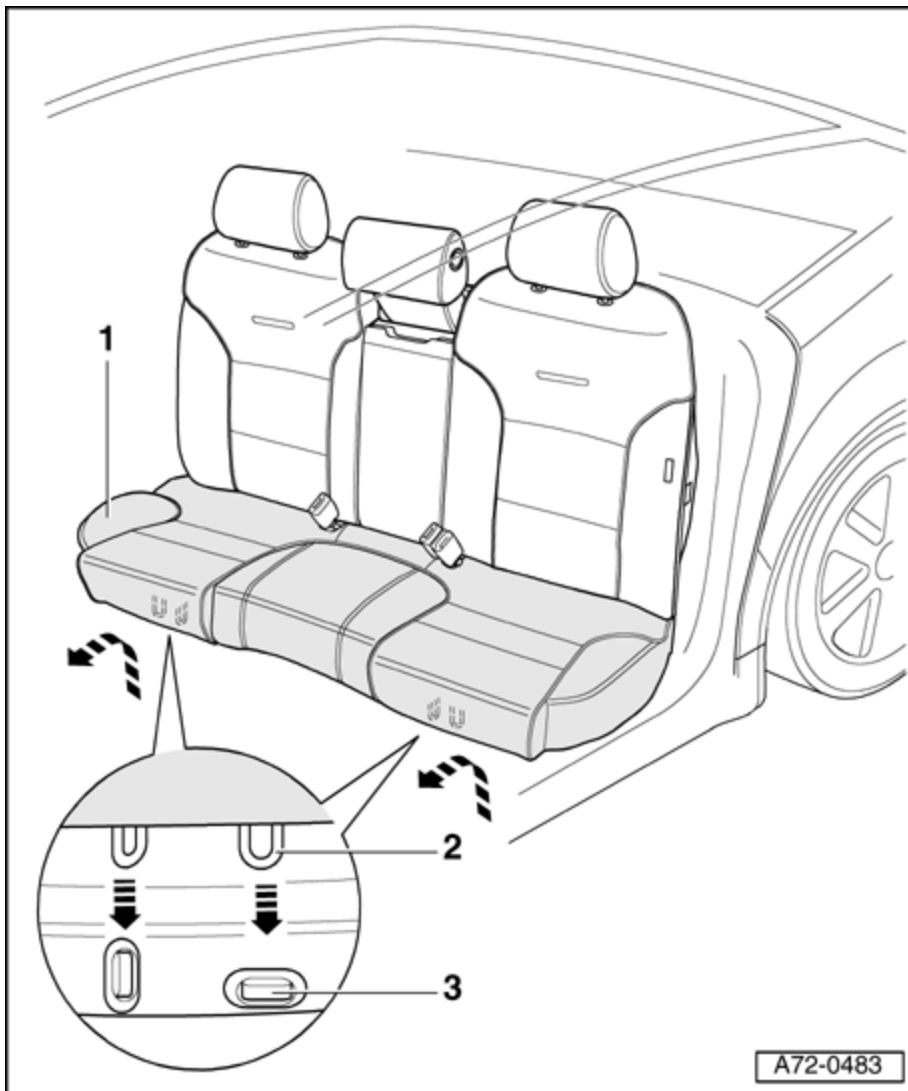


**Audi > A8/A8L > 2004-2008
Body Interior
72 - Removal and Installation**

Rear Seats

- ⇒ [Rear Bench Seat](#)
- ⇒ [Rear Backrest](#)
- ⇒ [Center Armrest](#)
- ⇒ [Cupholder](#)
- ⇒ [Center Bracket](#)
- ⇒ [Headrests](#)
- ⇒ [Center Headrest](#)
- ⇒ [Center Headrest Blind](#)
- ⇒ [Center Headrest Locking Mechanism](#)
- ⇒ [Back Mat](#)

Rear Bench Seat



1 - Rear seat bench

◆ Removing

- Raise rear seat bench - 1 - and pull out rear seat bench - 1 - toward front.
- With seat heater: Disconnect connector.

◆ Installing

CAUTION!

**Mountings must be replaced after each removal of seatbench
x-qq7qmtchps1**

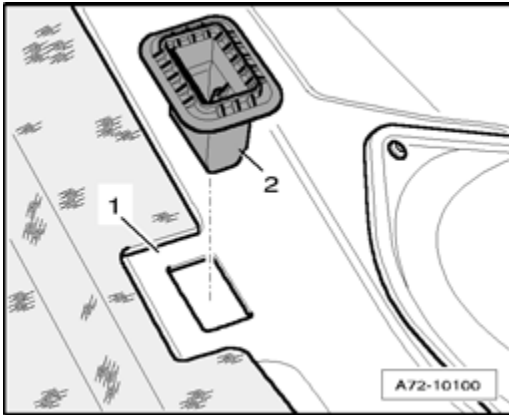
- Engage anchoring lugs - **2** - (Qty. 4) into plastic sleeves - **3** - (Qty. 4).
- Push rear seat bench - **1** - down.

2 - Anchoring lugs (Qty. 4)

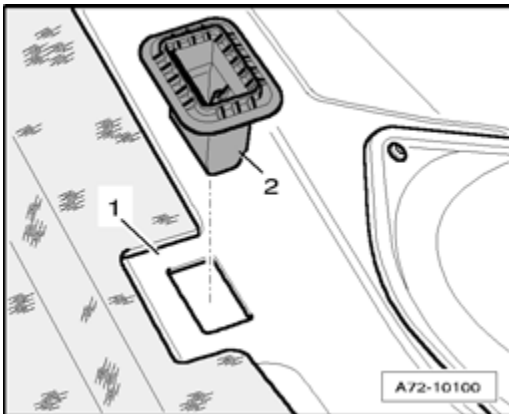
3 - Plastic sleeves (Qty. 4)

◆ replace

¹ Replacing plastic sleeves (Qty. 4)

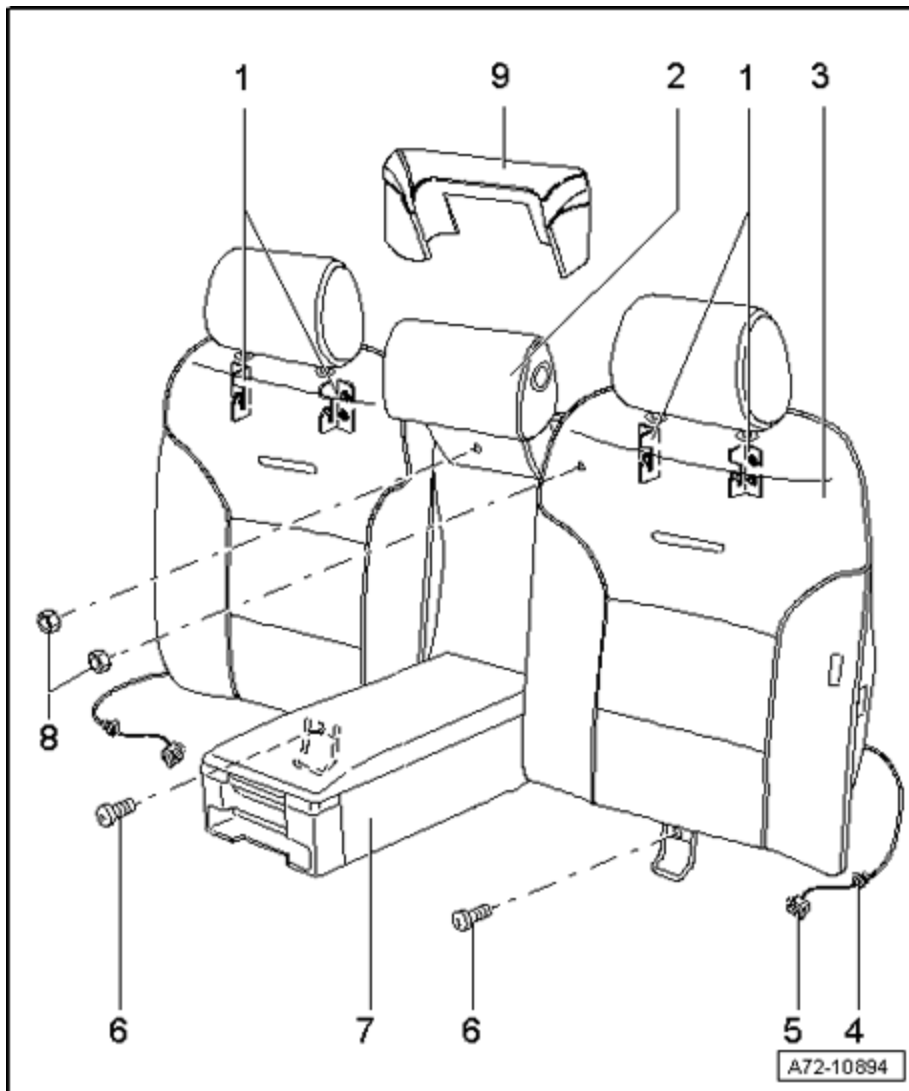


- Remove the used mounting grommets from the body opening.



- Insert the new mounting grommets - **2** - into the body opening - **1** - until it engages audibly.

Rear Backrest



1 - Center bearings (Qty. 4)

2 - Center headrest

3 - Rear seat backrest

◆ Removing

- Remove rear seat bench ⇒ [Rear Bench Seat](#) .
- Disconnect harness connectors for side airbag - **4** - (Qty. 2) ⇒ [Side airbag connector](#) .
- With seat heater: Disconnect harness connectors for seat heater - **5** - (Qty. 2).
- Connect Airbag Adapter VAS 6229 to harness connectors - **4** - and - **5** - .

CAUTION!

Airbag adapter VAS 6229 must remain connected to seat until the seat is installed again.

- Remove bolts - **6** - (Qty. 2).
- Pull center headrest - **2** - upward.
- Fold center armrest - **7** - downward.
- Unclip the rear shelf trim - **9** - upward.
- Remove nuts - **8** - (Qty. 2).
- Slide rear backrest - **3** - upward out of center bearings - **1** - (Qty. 4) and pull out rear backrest - **3** - toward front.
- ◆ Installing
- Engage rear backrest - **3** - into center bearings - **1** - (Qty. 4).
- Continue to install rear backrest - **3** - in reverse order of removal.

4 - Side airbag connector

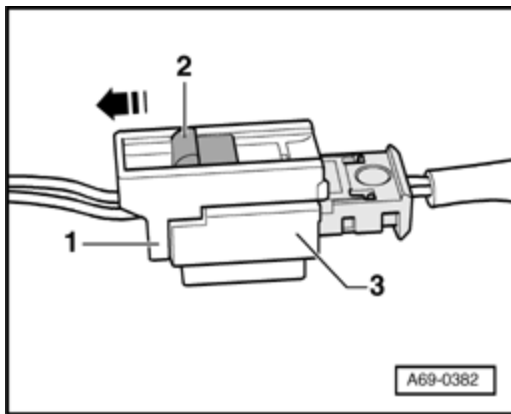
5 - Seat heating connector

6 - Screws, (Qty. 2)

7 - Center armrest

8 - Nuts (Qty. 2)

9 - Rear shelf trim



Side airbag connector

CAUTION!

Observe safety precautions for working on airbags ⇒ [Airbag Safety Precautions](#) .

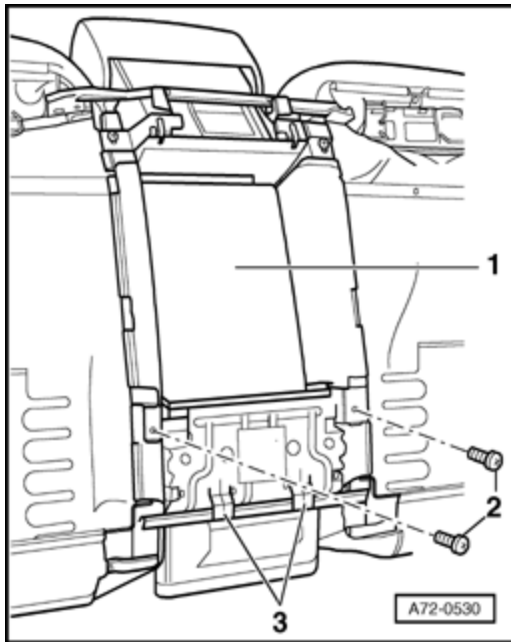
Note:

- ✦ The left and right side airbags can only be switched off together. It is not possible to switch side airbags off individually.
- There is one harness connector each at left and right under rear seat bench.
- Press catches - **2** - in direction of arrow and disconnect connector - **1** - .
- Secure loose connectors with cable ties.

Center Armrest

Removing

- Remove rear seat bench ⇒ [Rear Bench Seat](#) .
- Remove rear seat backrest ⇒ [Rear Backrest](#) .



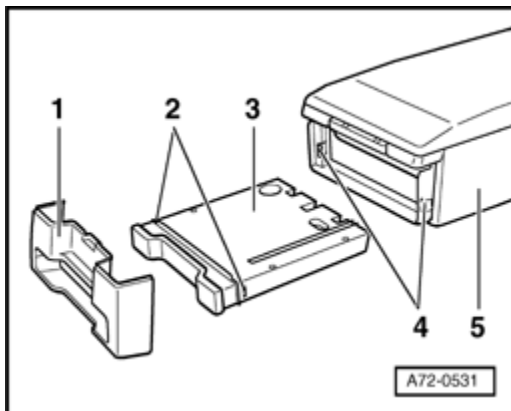
- Remove bolts - **2** - (Qty. 2).
- Disengage center armrest - **1** - from brackets - **3** - (Qty. 2).

Installing

- Install center armrest - **1** - in reverse order of removal.

Cupholder

Removing



- Using a screwdriver, pry out panel - **1** - at guides - **2** - (Qty. 2).

- Using a screwdriver, pry out beverage holder - **3** - at guides - **4** - (Qty. 2) and pull out beverage holder - **3** - toward front.

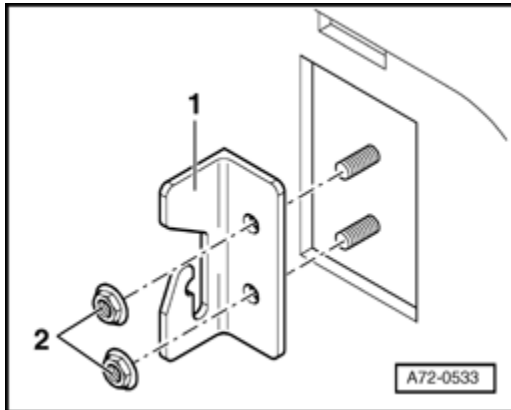
Installing

- Install beverage holder - **3** - in reverse order of removal.

Center Bracket

Removing

- Remove rear seat bench ⇒ [Rear Bench Seat](#) .
- Remove rear seat backrest ⇒ [Rear Backrest](#) .

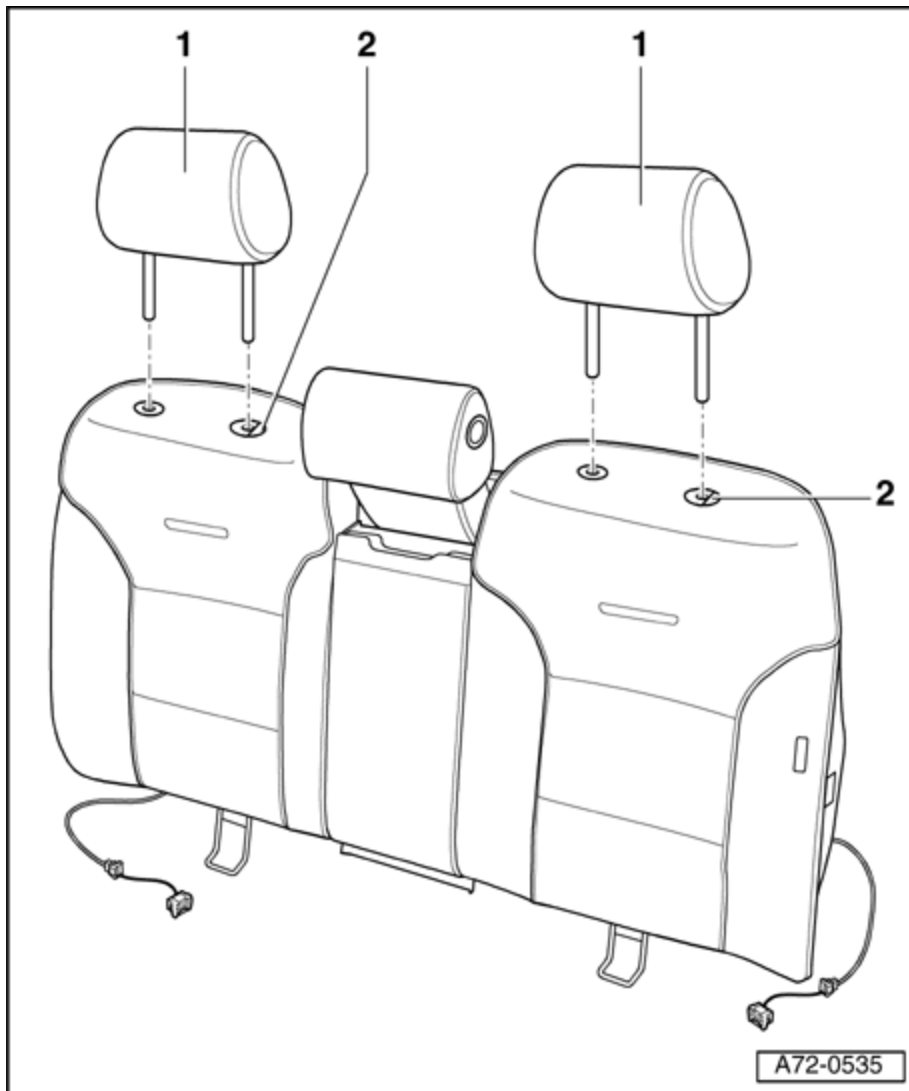


- Remove bolts - **2** - (Qty. 2) from center bearing - **1** - .
- ▶ Tightening torque: 8 Nm.

Headrests

Note:

- ◆ Left and right rear headrests are not identical to the front headrests. If you remove all headrests, mark them with adhesive tape.



1 - Outer headrests

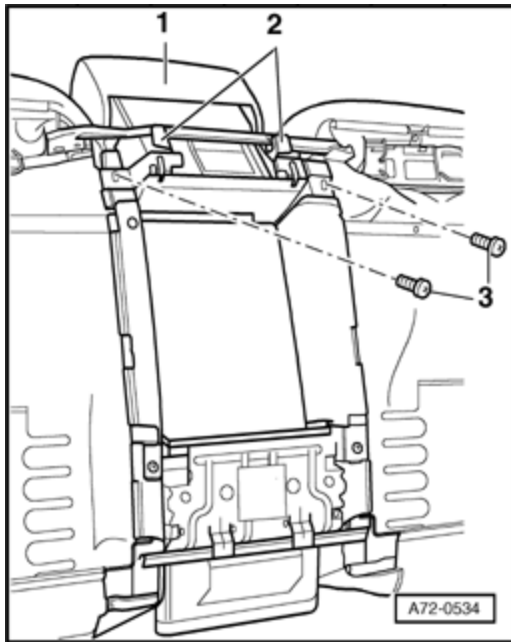
- Press button - 2 - and pull out headrest - 1 - upward.

2 - Button

Center Headrest

Removing

- Remove rear seat bench ⇒ [Rear Bench Seat](#) .
- Remove rear seat backrest ⇒ [Rear Backrest](#) .



- Remove bolts - **3** - (Qty. 2).
- Disengage center headrest - **1** - downward from brackets - **2** - (Qty. 2) and remove center headrest - **1** - .

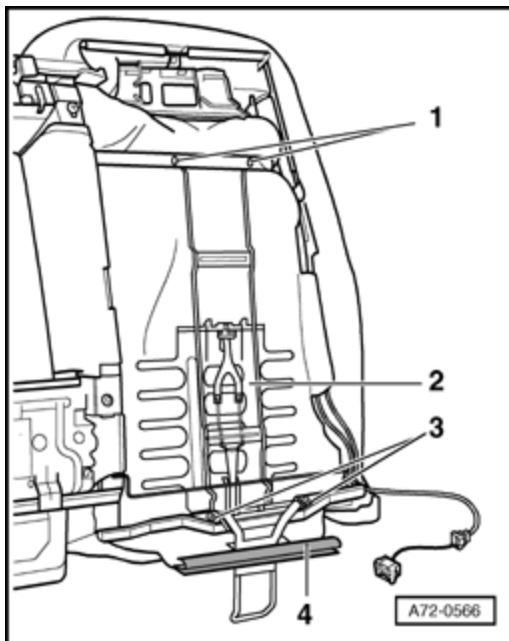
Installing

- Install center headrest - **1** - in reverse order of removal.

Center Headrest Blind

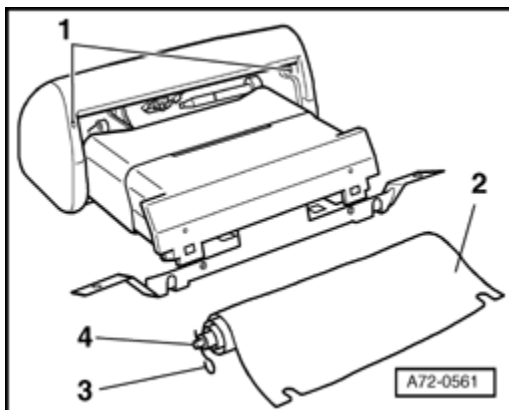
Removing

- Remove rear seat bench ⇒ [Rear Bench Seat](#) .
- Remove rear seat backrest ⇒ [Rear Backrest](#) .
- Remove center headrest ⇒ [Center Headrest](#) .



- Pry out roller blind - 2 - on left and right sides at positions - 1 - (Qty. 2).
- Disengage roller blind - 2 - on left and right sides at positions - 3 - (Qty. 2) and remove roller blind - 2 - .

Installing



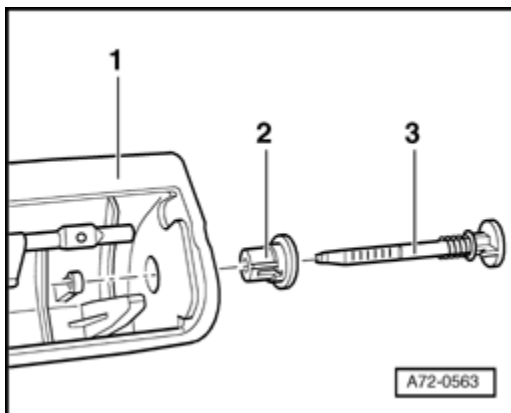
- If reinstalling the old roller blind:
- Unroll the roller blind - 2 - .
- Using pliers, hold the pin - 4 - and rotate roller blind 14 - 15 times in the opposite direction of pulling out - **arrow** - .
- Push in pin - 4 - and secure pin - 4 - e.g. using a paper clip.
- Engage roller blind - 2 - in guides - 1 - . Start with the side with the locking device.

- Make sure the roller blind is securely engaged on both sides.
- Pull locking device - **3** - .
- Check function of roller blind. Roller blind must roll in a minimum up to 3/4.

Center Headrest Locking Mechanism

Removing

- Remove rear seat bench ⇒ [Rear Bench Seat](#) .
- Remove rear seat backrest ⇒ [Rear Backrest](#) .
- Remove center headrest ⇒ [Center Headrest](#) .
- Remove center headrest roller blind ⇒ [Center Headrest Blind](#) .
- Remove center headrest support ⇒ [Center Headrest](#) .



- Press button - **3** - out of headrest - **1** - from inside.
- Pull out collar - **2** - .

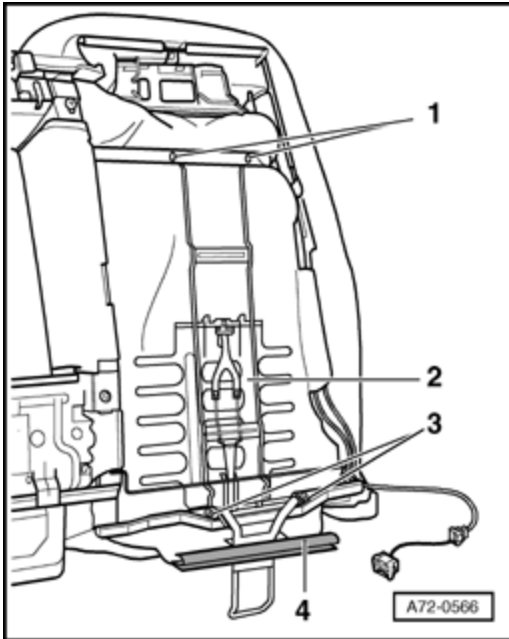
Installing

- Install insertion lock in reverse order of removal.

Back Mat

Removing

- Remove rear seat bench ⇒ [Rear Bench Seat](#) .
- Remove rear seat backrest ⇒ [Rear Backrest](#) .



- Pry fastening strip - **4** - out with a screwdriver.
- Disengage back mat - **2** - at top on pins - **1** - (Qty. 2).
- Disengage back mat - **2** - at bottom on holders - **3** - (Qty. 2).
- Remove back mat - **1** - .

Installing

- Install back mat - **1** - in reverse order of removal.

Copyright © 2008 Audi of America, Inc. and Bentley Publishers. All rights reserved. Last processed: