

13 Fuel filter - all vehicles

⇒ [“13.1 Fuel filter on vehicles without auxiliary heater - exploded view”, page 239](#)

⇒ [“13.2 Removing and installing fuel filter on vehicles without auxiliary heater”, page 240](#)

⇒ [“13.3 Fuel filter on vehicles with auxiliary heater - exploded view”, page 240](#)

⇒ [“13.4 Removing and installing fuel filter on vehicles with auxiliary heater”, page 241](#)

⇒ [“13.5 Fuel filter on vehicles with fuel system without fuel return line - exploded view”, page 242](#)

⇒ [“13.6 Removing and installing fuel filter on vehicles with fuel system without fuel return line”, page 243](#)

13.1 Fuel filter on vehicles without auxiliary heater - exploded view

1 - Fuel return line

- From engine
- Clipped onto fuel filter bracket
- Press release tab on connection piece to disconnect

2 - Fuel filter

- Flow direction is marked by arrows
- Do not interchange connections
- Removing and installing
⇒ [page 240](#)

3 - Fuel supply line

- From fuel tank
- Press release tab on connection piece to disconnect

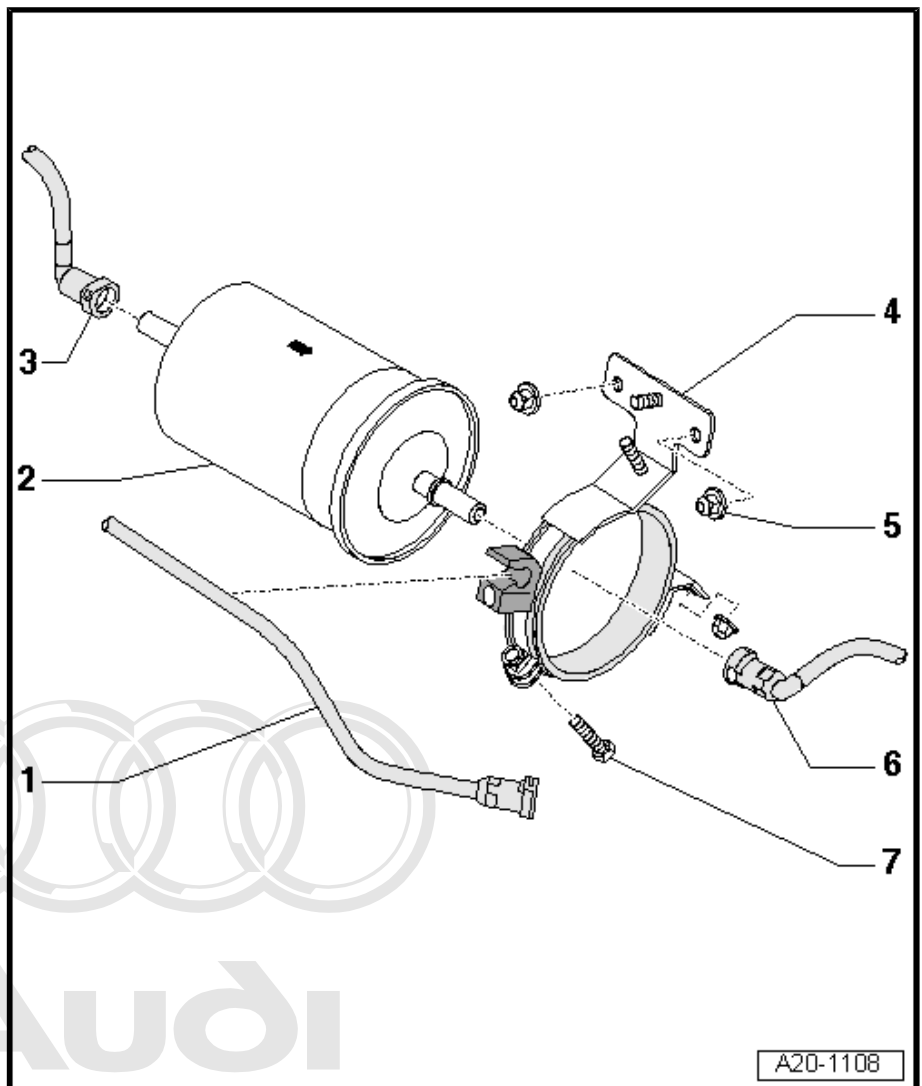
4 - Bracket for fuel filter

5 - 1.5 Nm

6 - Fuel supply line

- To engine
- Press release tab on connection piece to disconnect

7 - 3 Nm



A20-1108

Protected by copyright. Copying for private or commercial purposes, in part or in whole, is not permitted unless authorised by AUDI AG. AUDI AG does not guarantee or accept any liability with respect to the correctness of information in this document. Copyright by AUDI AG.

13.2 Removing and installing fuel filter on vehicles without auxiliary heater

Special tools and workshop equipment required

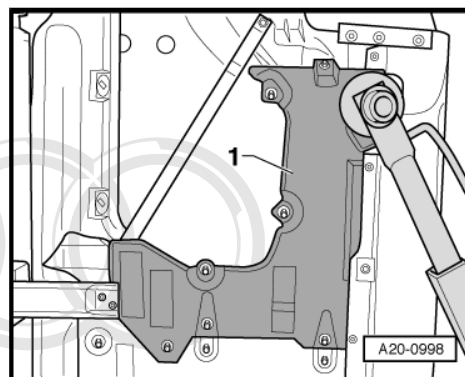
- ◆ Drip tray

Removing

Observe safety precautions ⇒ [page 1](#) .

Observe rules for cleanliness ⇒ [page 3](#) .

- Remove cover -1- from underside of vehicle (right-side).



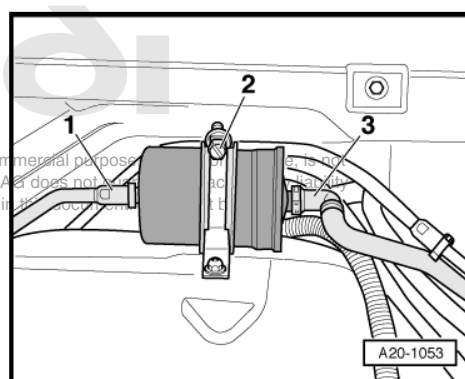
- Place drip tray under fuel filter.



WARNING

The fuel system is pressurised. Before opening the system place a clean cloth around the connection. Then release pressure by carefully loosening the connection.

- Disconnect fuel pipes -1- and -3- by pressing the release tabs.
- Remove bolt -2-.
- Remove fuel filter.



Installing

- Tightening torque ⇒ [page 239](#)

Installation is carried out in the reverse order; note the following:

- Flow direction is marked by arrows

13.3 Fuel filter on vehicles with auxiliary heater - exploded view

1 - Fuel return line

- From engine
- Clipped onto fuel filter bracket
- Press release tab on connection piece to disconnect

2 - Fuel filter

- Flow direction is marked by arrows
- Do not interchange connections
- Removing and installing ⇒ [page 241](#)

3 - Fuel supply line

- From fuel tank
- Press release tab on connection piece to disconnect

4 - Fuel supply line

- To metering pump for auxiliary heater

5 - 10 Nm

- Self-locking
- Renew

6 - Washer

7 - Retainer

- For metering pump for auxiliary heater

8 - Metering pump for auxiliary heater

- Secure with retainer -item 7- to bracket -item 10-

9 - Fuel supply line

- To auxiliary heater

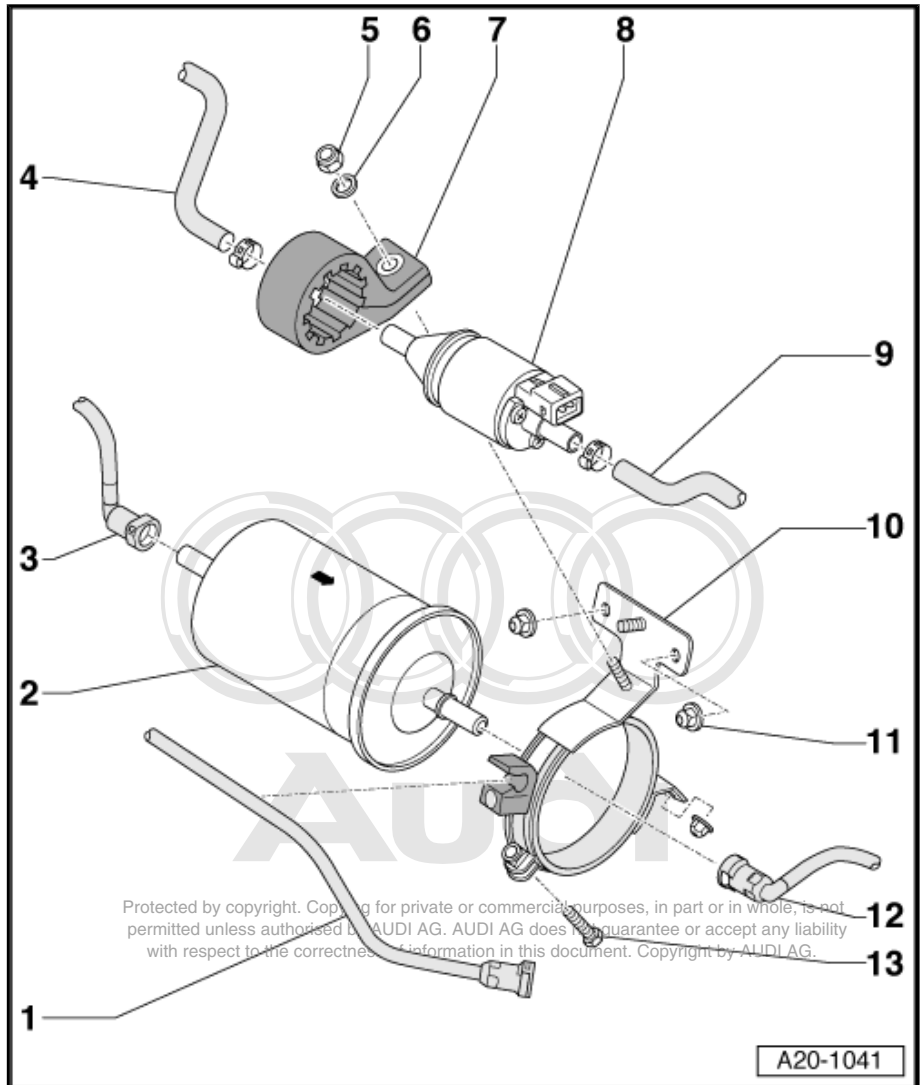
10 - Bracket for fuel filter

11 - 1.5 Nm

12 - Fuel supply line

- To engine
- Press release tab on connection piece to disconnect

13 - 3 Nm



13.4 Removing and installing fuel filter on vehicles with auxiliary heater

Special tools and workshop equipment required

- ◆ Drip tray

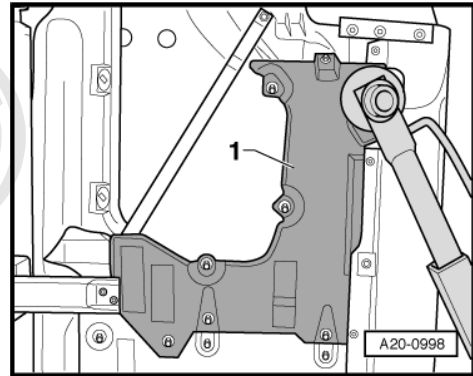


Removing

Observe safety precautions ⇒ [page 1](#) .

Observe rules for cleanliness ⇒ [page 3](#) .

- Remove cover -1- from underside of vehicle (right-side).



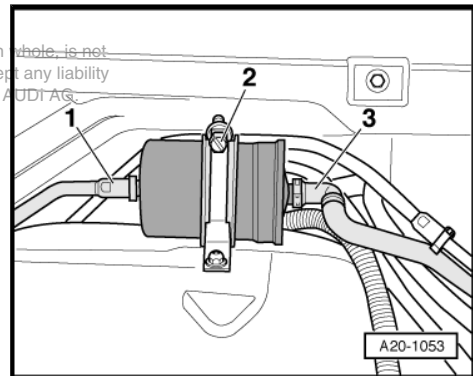
- Place drip tray under fuel filter.



WARNING

The fuel system is pressurised. Before opening the system place a clean cloth around the connection. Then release pressure by carefully loosening the connection.

- Disconnect fuel pipes -1- and -3- by pressing the release tabs.
- Remove bolt -2-.
- Remove fuel filter.



Installing

- Tightening torque ⇒ [page 240](#)

Installation is carried out in the reverse order; note the following:

- Flow direction is marked by arrows

13.5 Fuel filter on vehicles with fuel system without fuel return line - exploded view

1 - Fuel filter with pressure control valve, 4 bar

- Flow direction is marked by arrows
- Do not interchange connections
- Removing and installing ⇒ [page 243](#)

2 - Fuel supply line

- From fuel tank
- Press release tab on connection piece to disconnect

3 - Fuel return line

- To fuel tank
- Press release tab on connection piece to disconnect

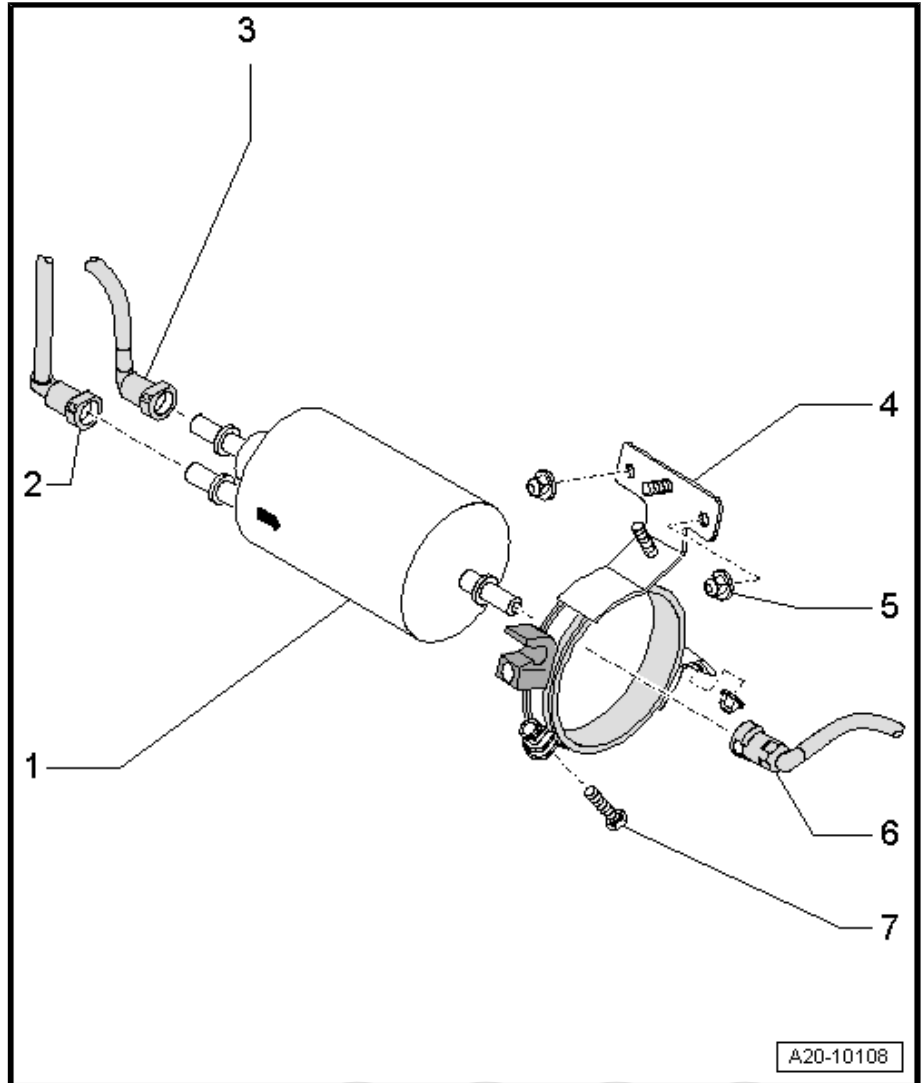
4 - Bracket for fuel filter

5 - 1.5 Nm

6 - Fuel line

- To engine
- Press release tab on connection piece to disconnect

7 - 3 Nm



13.6 Removing and installing fuel filter on vehicles with fuel system without fuel return line

Special tools and workshop equipment required

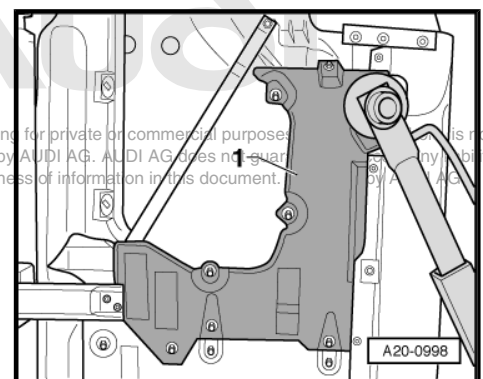
- ◆ Drip tray

Removing

Observe safety precautions ⇒ [page 1](#) .

Observe rules for cleanliness ⇒ [page 3](#) .

- Remove cover -1- from underside of vehicle (right-side).



Protected by copyright. Copying for private or commercial purposes without express authorisation by AUDI AG. AUDI AG does not guarantee the correctness of information in this document.



- Place drip tray under fuel filter.

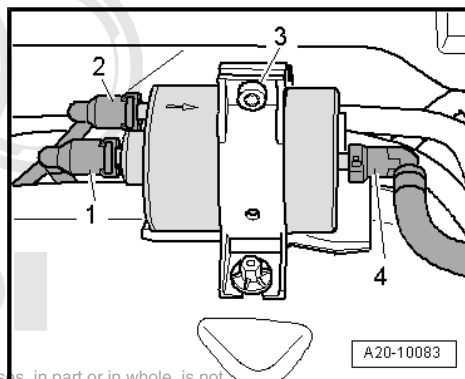


WARNING

The fuel system is pressurised. Before opening the system place a clean cloth around the connection. Then release pressure by carefully loosening the connection.

- Disconnect fuel pipes -1-, -2- and -4- by pressing the release tabs.
- Remove bolt -3-.
- Remove fuel filter.

Protected by copyright. Copying for private or commercial purposes, in part or in whole, is not permitted unless authorised by AUDI AG. AUDI AG does not guarantee or accept any liability with respect to the correctness of information in this document. Copyright by AUDI AG.



Installing

- Tightening torque ⇒ [page 242](#) .

Installation is carried out in the reverse order; note the following:

- Flow direction is marked by arrows