

Audi 3G/3G+ MMI Multimedia HDMI LINK Interface – With Rear Camera Dynamic Guidelines

Compatible with the following models:

A6, A7, A8, Q7 (2009 Onwards) with 3G/3G+ MMI
A4, A5, Q5 (2009 Onwards) with the 3G MMI option

Installation guide v1 (June14)

NOTICE

We recommend that installation is performed by qualified personnel. Our company does not accept any responsibility for any damage as a result of installing this product. Please read the instructions carefully and if you have any queries, contact us at support@xcarlink.co.uk

Before starting the installation, please ensure that the ignition in your car is switched off. You must not damage any labels on the interface as this may void the warranty.

All text and images contained within this manual are Copyright © and any reproduction without our prior consent is strictly forbidden.

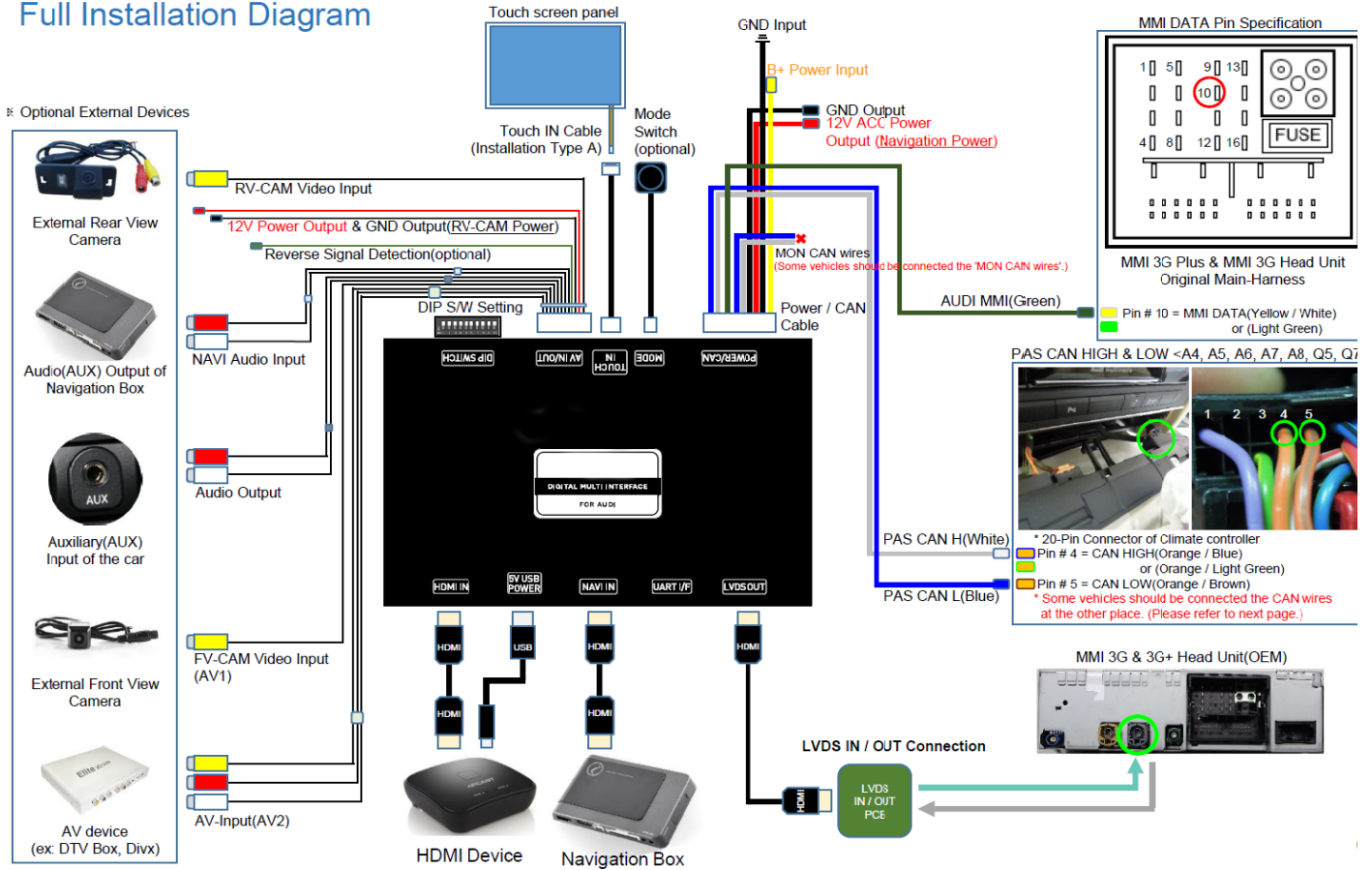
FEATURES

The Audi 3G MMI multimedia video interface features 2x HDMI inputs 2 AV inputs and a rear camera input. There is also a video output for connecting the interface to additional screens plus an audio output. The built in CAN BUS enables the user to switch video sources using the factory controls. In addition, the interface is capable of switching to the reverse camera input automatically once the car is in reverse gear. Dynamic parking lines are also displayed (similar to the Audi OEM Option)

Notes

- Check the connections carefully before connecting, CAN-High White wire / CAN –Low Blue wire.
- The power/CAN cable should always be connected last and disconnected first
- The toggle switch is an optional part used to change modes, however during normal installation when CAN-High and CAN-Low cables are connected, modes can be changed via the OEM buttons and so the toggle switch is not required.
- If fitting a rear camera the reverse signal is usually sensed via the CAN connections however in some cases where it is not detected the green wire needs to be connected to the rear reversing lamp.
- It may be necessary to Adjust the HDMI screen size and position to fit your screen using the on screen menu system.
- The unit is a video only interface. For audio, you must connect the Audio Out connections to the Aux input in the car. If you have a factory AMI connection a separate adapter can be purchased to convert it to standard Aux.

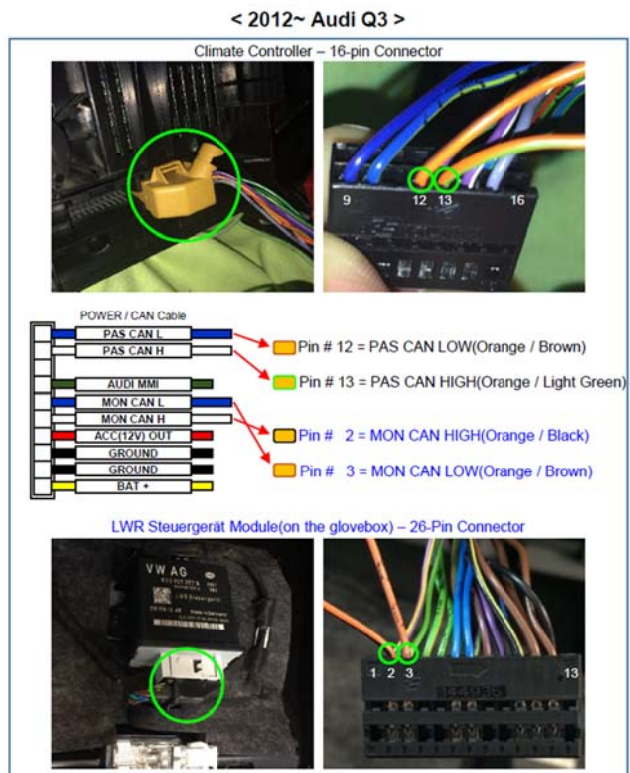
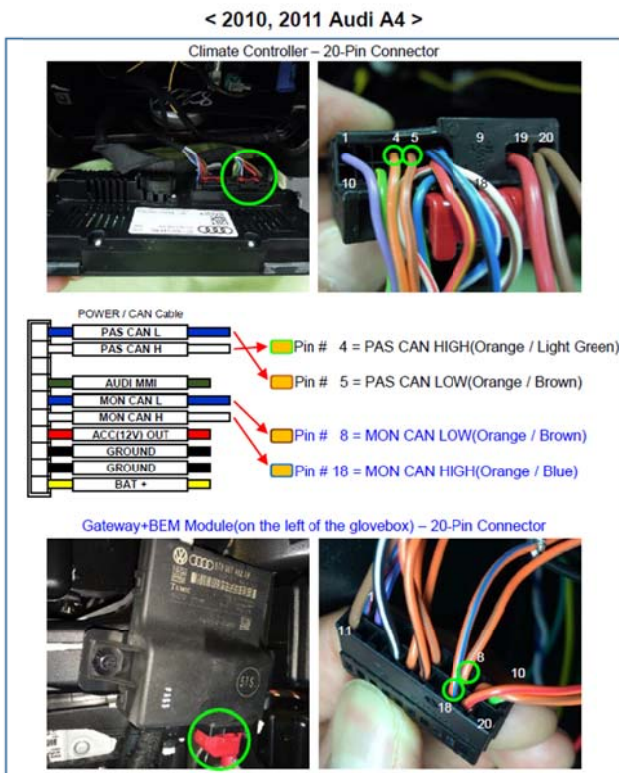
Full Installation Diagram



The Green Audi MMI wire connects to pin 10 on the quadlock harness which is accessed by removing the head unit., Power to 12V power source, and GND Cables.

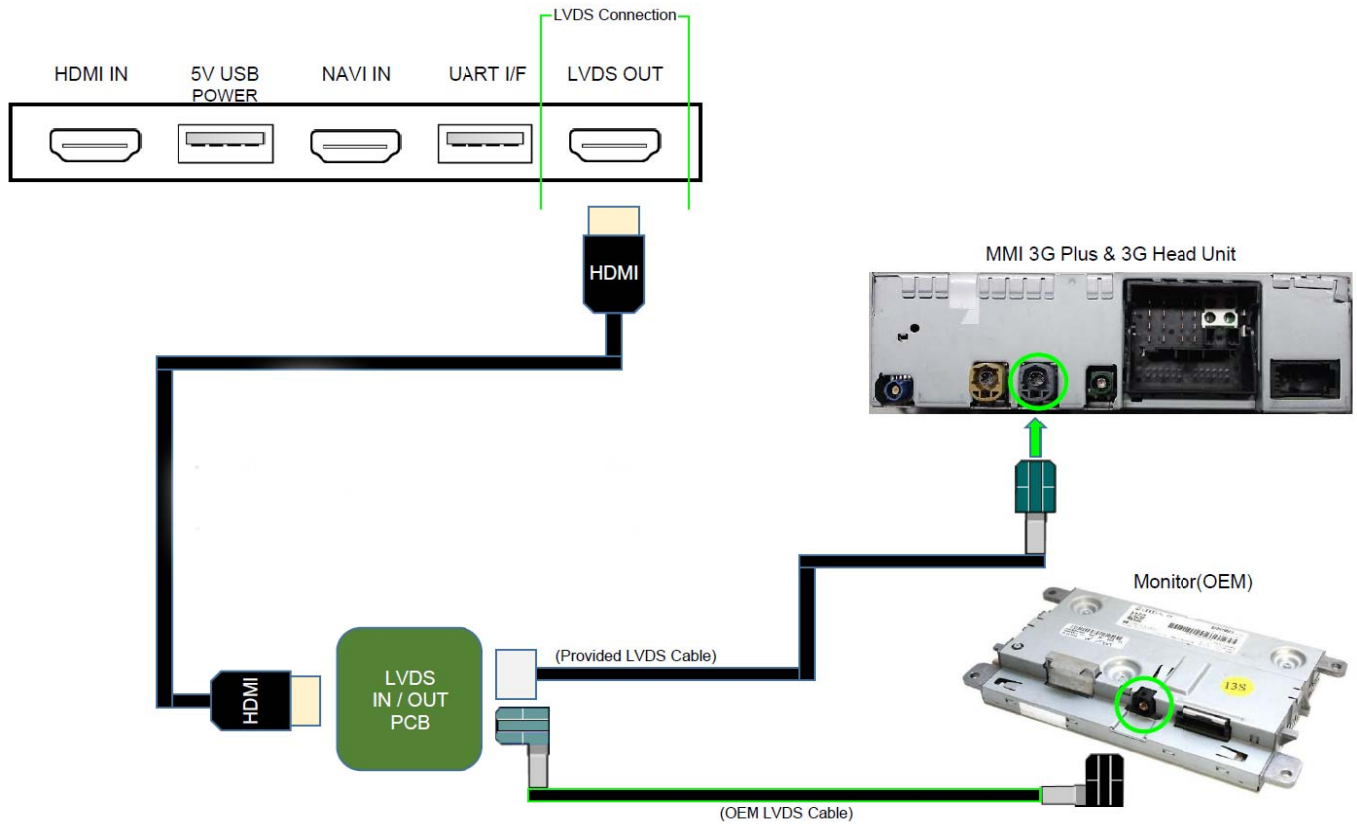
CAN Connections

The CAN High and CAN Low cables should usually be connected to the CAN-HIGH and CAN Low wires at the climate controller. However there are some different locations depending on the model as follows:



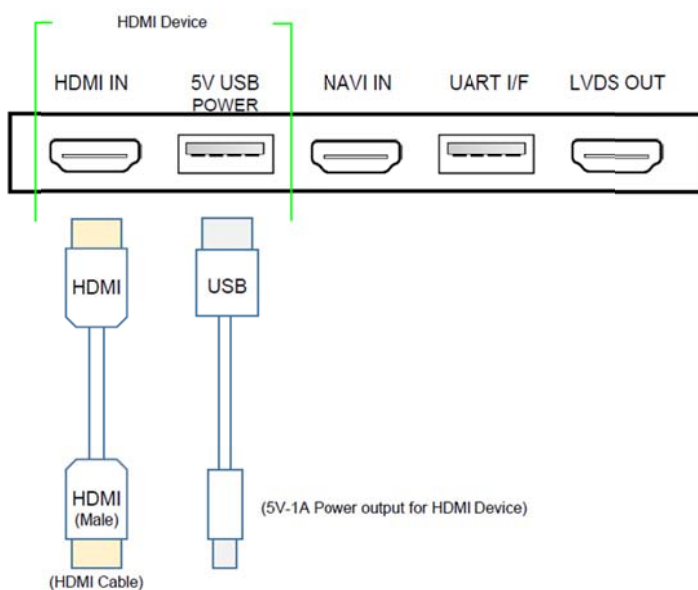
Video Connection

Remove the head unit and disconnect the Fakra Video connection from the head unit and connect it into the LVDS in/out PCB supplied with the interface, and then connect the cable provided with the interface back to the head unit

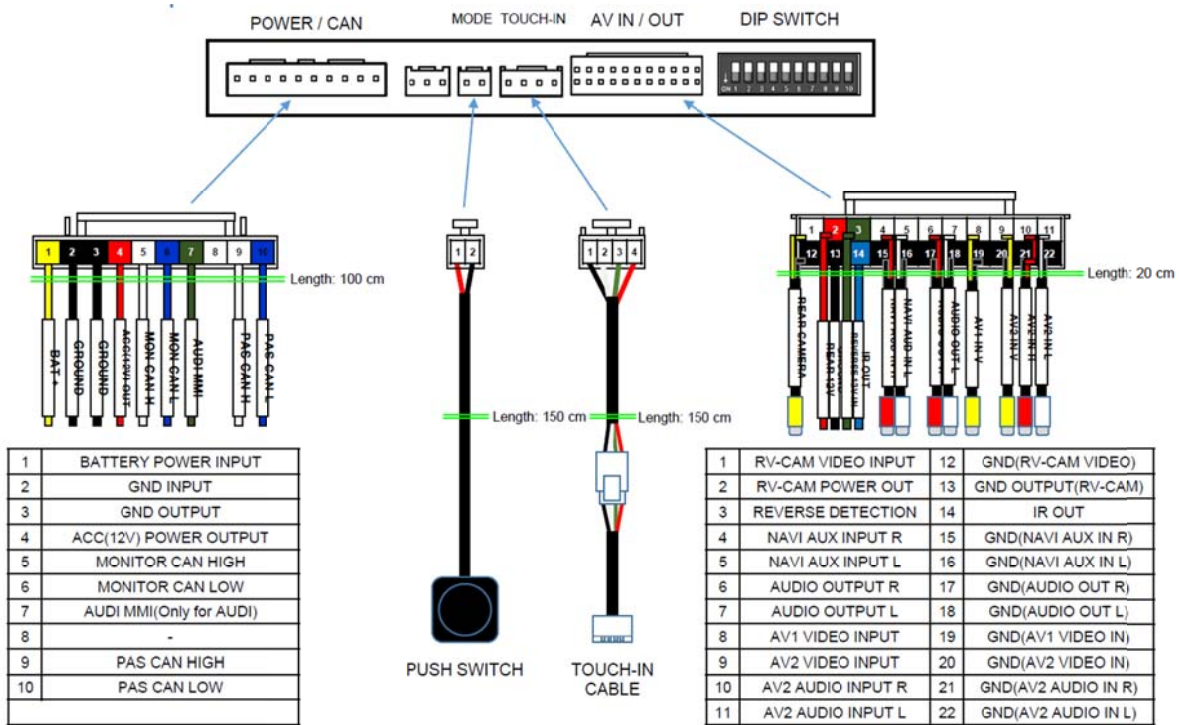


HDMI Input

Connect a HDMI Cable to the 'HDMI' in port on the interface.



Other Inputs and Connections



If fitting a rear camera then connect the green wire to the rear reversing light, this will trigger the camera when the car is in reverse gear.

Operation



MMI 3G Plus Controller



MMI 3G Controller



Steering wheel buttons – NEW



Steering wheel buttons – OLD

For MMI 3G Plus & MMI 3G

| Button | Function | Operation | Remarks |
|-----------------|--|-------------------------------|--|
| 1 NAV | Changing Modes | Activate with a Short push | Order: HDMI → NAVI → AV2 → OEM |
| 1 NAV | System Locking / Unlocking | Press and Hold for 10 seconds | Disable the interface when Visiting an Audi Service Centre |
| 2 iNAV (MODE) | Changing mode to Front View Camera mode(AV1) | Press and Hold for 2 seconds | Change from Any mode to AV1 |
| 3 BACK (RETURN) | Reset to factory default setting and power. | Press and Hold for 7 seconds | |
| Other Buttons | Back to OEM | Short Press | Return back to Original Audi Screen at any Time |

Dip Switch Settings



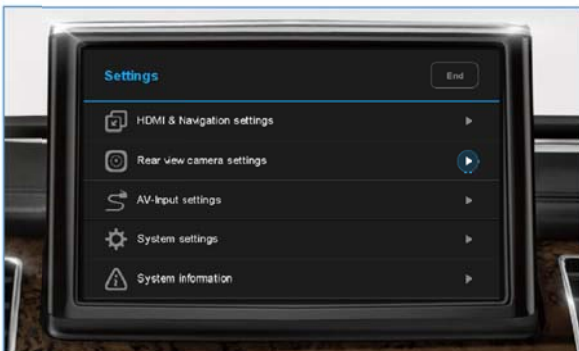
| Pin No. | ON(▼) | OFF(▲) | No.6 | No.7 | No.8 | No.9 | No.10 | Car Models | CAN wires Information |
|---------|--------------------------------------|---|--------|--------|--------|--------|--------|--------------------------------------|---|
| 1 | HDMI Mode | Skip HDMI Mode | OFF(▲) | OFF(▲) | OFF(▲) | OFF(▲) | OFF(▲) | A6, A7 / 2012~ (8-inch / 800*480) | PAS CAN = Climate controller |
| 2 | Navigation Mode | Skip Navigation Mode | OFF(▲) | OFF(▲) | ON(▼) | OFF(▲) | OFF(▲) | A4 / 2010 (7-inch / 800*480) | PAS CAN = Climate controller MON CAN = Gateway+BEM |
| 3 | External Rear View Camera | Original Rear View Camera | OFF(▲) | OFF(▲) | OFF(▲) | OFF(▲) | ON(▼) | A4 / 2011 (7-inch / 800*480) | PAS CAN = Climate controller MON CAN = Gateway+BEM |
| 4 | External Front View Camera(AV1 Mode) | Skip External Front View Camera(AV1 Mode) | OFF(▲) | OFF(▲) | OFF(▲) | ON(▼) | OFF(▲) | A4, A5 / 2013~ (7-inch / 800*480) | PAS CAN = Climate controller |
| 5 | AV2 Mode | Skip AV2 Mode | OFF(▲) | OFF(▲) | OFF(▲) | ON(▼) | ON(▼) | Q3 / 2012~ (7-inch / 800*480) | PAS CAN = Climate controller MON CAN = LWR Steuergerät |
| 6 | Selection of car model | | | | | | | | |
| 7 | | | | | | | | | |
| 8 | | | | | | | | | |
| 9 | | | | | | | | | |
| 10 | | | | | | | | | |

On Screen Menu Settings

For MMI 3G Plus & MMI 3G



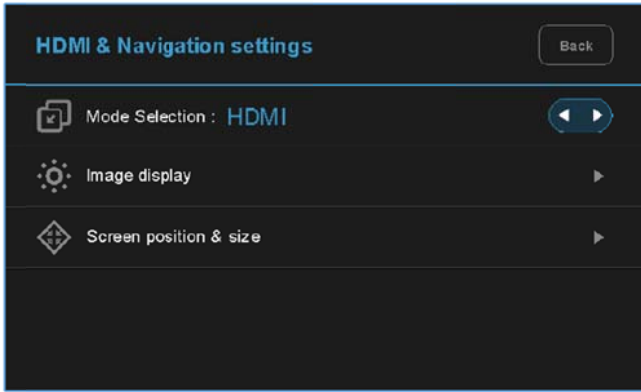
| | Button | Function | Operation |
|---|--------------------------------|--|---|
| 1 | MENU(SETUP) | Enter into the setting menu | Press the button 5 seconds long. |
| 2 | BACK(RETURN) | Back to previous menu | Press the button short. |
| 3 | Selection | Select the menu and setting values. | Press the button short. |
| 4 | Turn the dial clockwise | Move the menu-pointer and adjust the setting values. | Move the pointer and setting values to up(↑) and right(→). |
| 5 | Turn the dial counterclockwise | Move the menu-pointer and adjust the setting values. | Move the pointer and setting values to down(↓) and left(←). |



1. Enter into the setting menu.

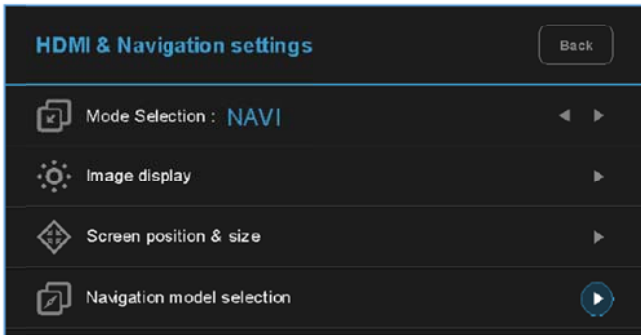
<Press the 'MENU(SETUP)' button 5 seconds long.>

- HDMI & Navigation settings
- Rear view camera settings
- AV-input settings
- System settings
- System information



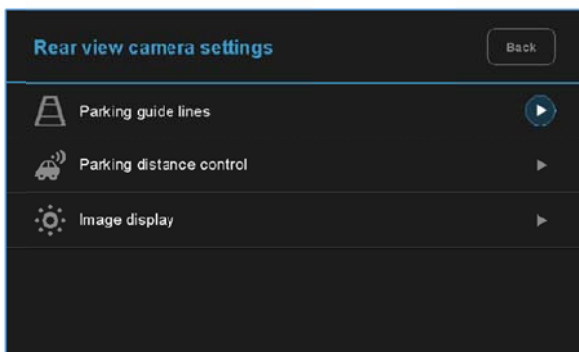
2. HDMI mode settings

- Mode selection: HDMI ↔ NAVI
- Image display
= Adjust the values of brightness and contrast Red-Green-Blue colors of HDMI display.
- Screen position & size
= Adjust position and size of HDMI display.



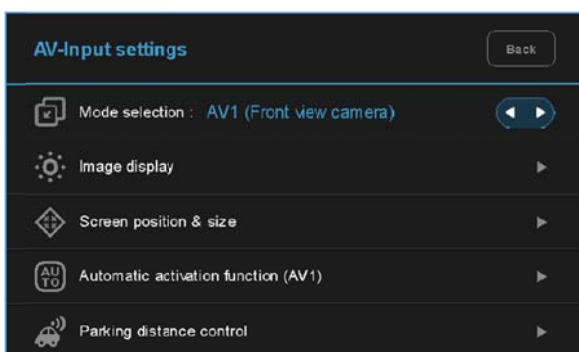
3. NAVI mode settings

- Mode selection: NAVI ↔ HDMI
- Image display
= Adjust the values of brightness and contrast Red-Green-Blue colors of NAVI display.
- Screen position & size
= Adjust position and size of NAVI display.
- Navigation model selection



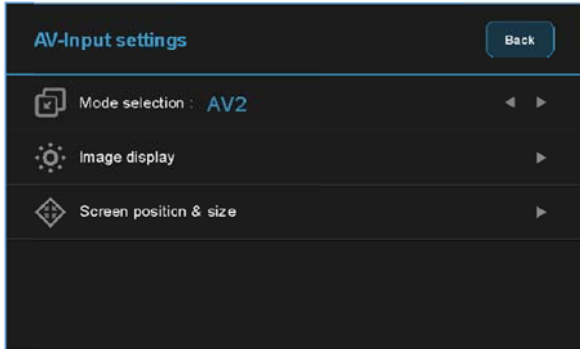
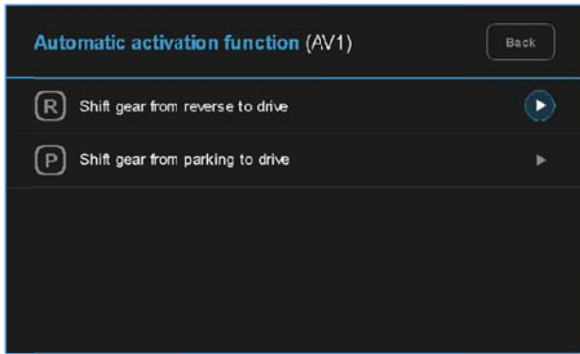
4. Rear view camera settings

- Parking guide lines
= Adjust position of parking guide lines and select the lines 'ON or OFF'.
- Parking distance control
= Adjust position of parking distance control sensors to 'LEFT or RIGHT' and select the PDC 'ON or OFF'.
- Image display
= Adjust the values of brightness and contrast Red-Green-Blue colors of Rear view camera display.



5. AV1(Front view camera) settings

- Mode selection: AV1(Front view camera) ↔ AV2
- Image display
= Adjust the values of brightness and contrast Red-Green-Blue colors of AV1(Front view camera) display.
- Screen position & size
= Adjust the position and size of AV1 display.
- Automatic activation function(AV1)
= * Please refer to next page.
- Parking distance control
= Adjust the position of parking distance control sensors to 'LEFT or RIGHT' and select the PDC 'ON or OFF'.



6. Automatic activation function(AV1)

- Shift gear from reverse to drive
- Shift gear from parking to drive

* When you shift gear 'from reverse to drive' or 'from parking to drive', it just works automatically during the activation time you selected.



7. AV2 settings

- Mode selection: AV2 ↔ AV1(Front view camera)
- Image display
 - = Adjust the values of brightness and contrast
 - Red-Green-Blue colors of AV2 display.
- Screen position & size
 - = Adjust the position and size of AV2 display.