

2.38 Removing and installing interior light/reading light (front)

Removing

- Open (sun)glasses compartment -1-.
- Remove bolt -3-.
- Swivel down interior light/reading light (front) -2- -arrow- and disengage.
- Unplug electrical connectors.

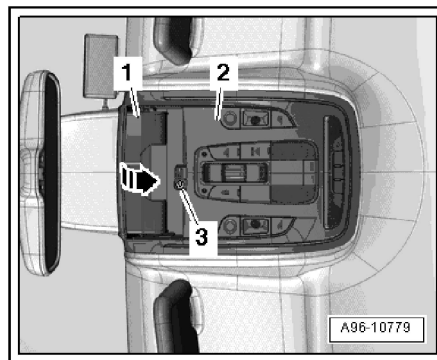
Installing

Installation is carried out in the reverse order; note the following:

- Fit interior light and secure.

Tightening torques

- ◆ ⇒ Fig. “Interior light/reading light (front) - tightening torque”, page 295



2.39 Removing and installing garage door operating unit - E284-

Removing

- Remove interior light/reading light (front) ⇒ [page 310](#) .
- Remove bolts -2, 4, 5, 6-.
- Carefully press retaining clips aside -arrows-.
- Pull garage door operating unit - E284- -item 1- out of interior light/reading light (front) -7-; to do so, slightly raise roof electronics control unit - J528- -item 3-.

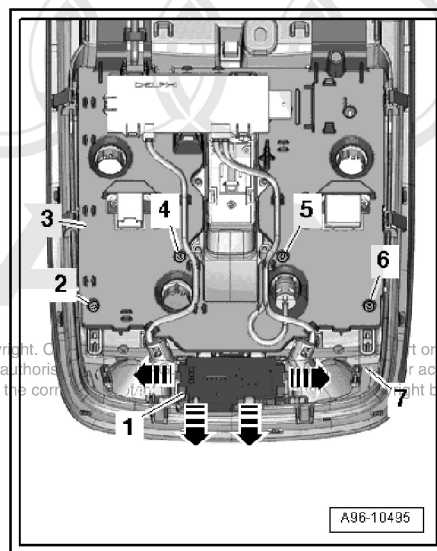
Installing

Installation is carried out in the reverse order; note the following:

- Install interior light/reading light (front) ⇒ [page 310](#) .

Tightening torques

- ◆ ⇒ Fig. “Tightening torque for roof electronics control unit - J528-”, page 295



Protected by copyright. Copying or reproduction in whole or in part is not permitted unless authorized in writing by AUDI AG.