

5 Interior mirror

- ⇒ [“5.1 Exploded view - interior mirror”, page 78](#)
- ⇒ [“5.2 Removing and installing interior mirror”, page 79](#)
- ⇒ [“5.3 Switching automatic anti-dazzle function on and off”, page 80](#)
- ⇒ [“5.4 Switching compass display on and off”, page 80](#)
- ⇒ [“5.5 Setting magnetic deflection zone”, page 80](#)
- ⇒ [“5.6 Calibrating digital compass”, page 81](#)
- ⇒ [“5.7 Adjusting automatic anti-dazzle interior mirror for right-hand drive or left-hand drive vehicles”, page 81](#)
- ⇒ [“5.8 Selecting the applicable deflection zone from the map”, page 82](#)
- ⇒ [“5.9 Checking operation of automatic anti-dazzle interior mirror”, page 87](#)

5.1 Exploded view - interior mirror

1 - Cover (front)

- For mirror base

2 - Retaining clip

- For interior mirror
- Always renew after removing interior mirror

3 - Bolts

- 2x
- 1.5 Nm

4 - Retaining plate

- For interior mirror
- Bonded to windscreen

5 - Cover

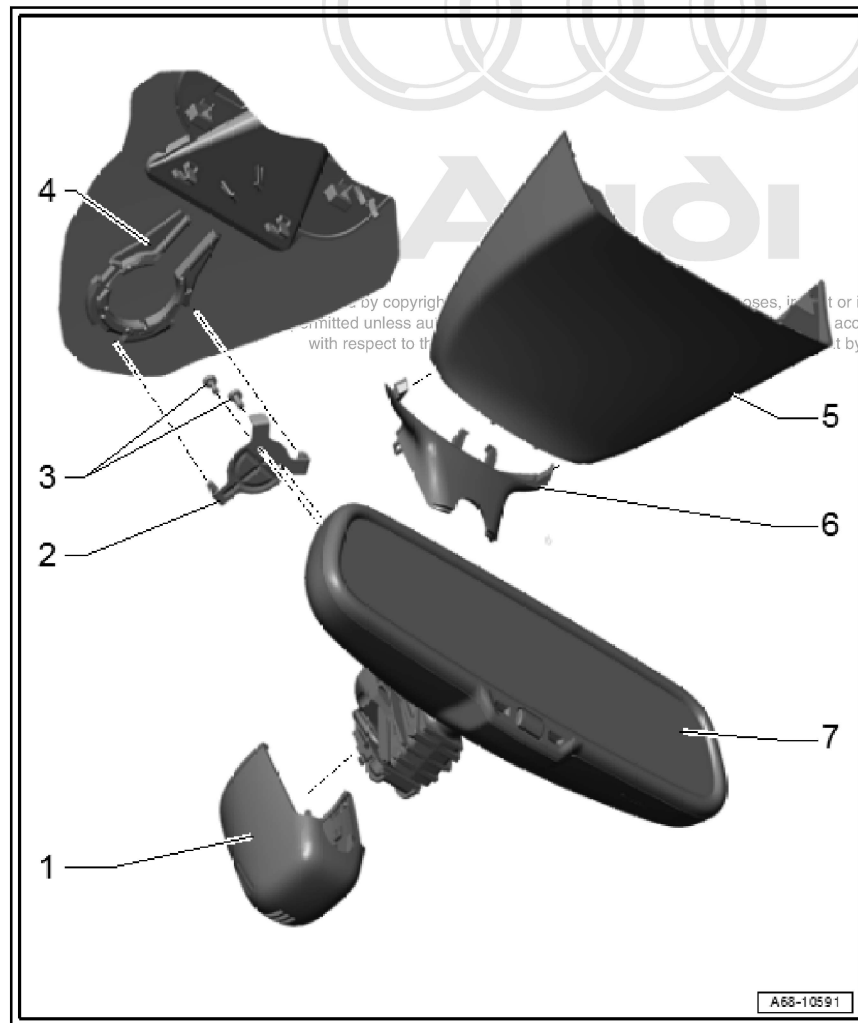
- For front camera for driver assist systems
- Different versions; for correct version refer to ⇒ Electronic parts catalogue

6 - Cover (rear)

- For mirror base

7 - Interior mirror

- Automatic anti-dazzle interior mirror - Y7-
- Different versions; for correct version refer to ⇒ Electronic parts catalogue
- Removing and installing ⇒ [page 79](#)
- Position at 30° angle to installation position and turn clockwise as far as stop



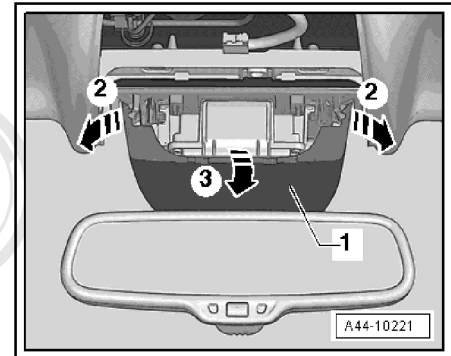
- ❑ Always renew retaining clip after removing

5.2 Removing and installing interior mirror

Observe the general information when removing and installing the mirror ⇒ [page 16](#) .

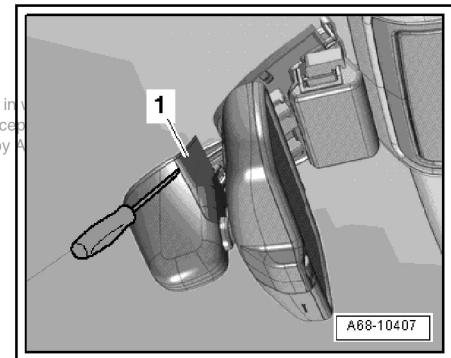
Removing

- Remove interior light/reading light (front) ⇒ Electrical system; Rep. gr. 96 ; Controls; Removing and installing interior light/reading light (front) .
- Disengage cover -1- from retaining plate on both sides in direction of -arrows 2- and detach towards rear in direction of -arrow 3-.

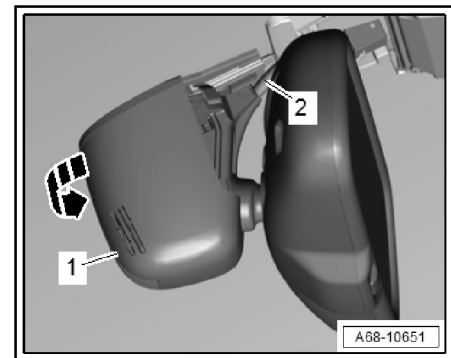


- Unclip cover -1- at mirror base with a screwdriver and detach.

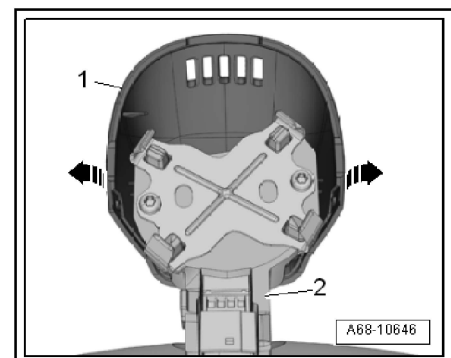
Protected by copyright. Copying for private or commercial purposes, in part or in full, is not permitted unless authorised by AUDI AG. AUDI AG does not guarantee or accept responsibility with respect to the correctness of information in this document. Copyright by Audi AG.



- Take electrical connector -2- out of bracket and unplug.
- Turn mirror base -1- as far as it will go in anti-clockwise direction -arrow-.
- Detach interior mirror from retainer.



- Carefully disengage retaining tabs -arrows- and pull cover -1- at front downwards out of guide elements on interior mirror base -2-.

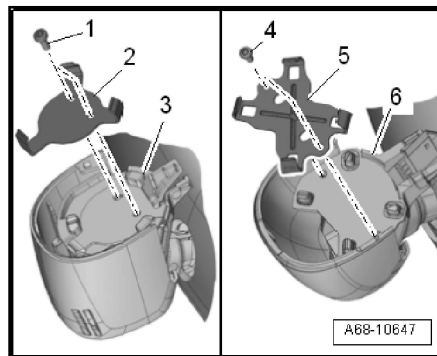


Installing

Installation is carried out in the reverse order; note the following:

- Always renew retaining clip -2- or -5- for interior mirror after removing; for allocation see ⇒ Electronic parts catalogue .
- Fit interior mirror at 30° angle to installation position.
- Turn interior mirror clockwise as far as it will go.

Notes for installation: tightening torques, renewing components etc. ⇒ "5.1 Exploded view - interior mirror", page 78



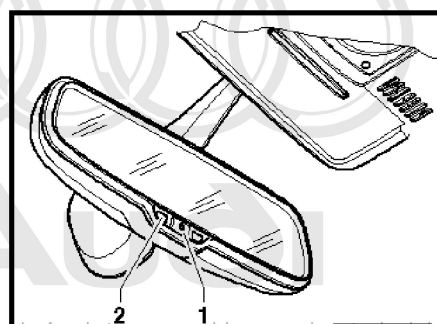
5.3 Switching automatic anti-dazzle function on and off

- Press button -1- briefly (up to 3 seconds) to switch automatic anti-dazzle function on or off.

Automatic anti-dazzle function "On": Indicator lamp -2- lights up.

Automatic anti-dazzle function "Off": Indicator lamp -2- goes out.

- ◆ The automatic anti-dazzle function is activated every time the ignition is switched on.
- ◆ If you deactivate the automatic anti-dazzle function for the interior mirror this will also deactivate the anti-dazzle function for the exterior mirrors.
- ◆ When in anti-dazzle mode, the mirror will become lighter as soon as the interior light is switched on or reverse gear is engaged.
- ◆ The automatic anti-dazzle function of the interior mirror can only function correctly if the rear sun blind is retracted.



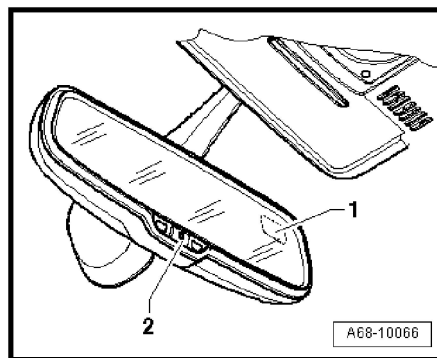
Protected by copyright. Copying for private or commercial purposes, in particular for advertising, is not permitted unless authorised by AUDI AG. AUDI AG does not guarantee or accept any liability with respect to the correctness of information in this document. Copyright by AUDI AG.

5.4 Switching compass display on and off

- Press button -2- for 3 to 6 seconds. The compass display -1- will be switched "on" or "off".

Compass display "on" - direction is indicated.

Compass display "off" - direction is not indicated.



5.5 Setting magnetic deflection zone

It is necessary to set the magnetic deflection zone if:

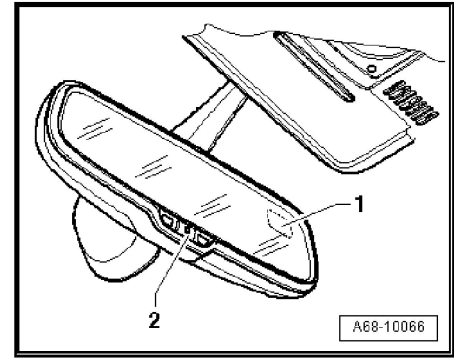
- A new automatic anti-dazzle interior mirror - Y7- is installed.
- You have reached a distance more than two zones away from the pre-set reference zone after travelling long distances; you should then set a different magnetic deflection zone.

Setting magnetic deflection zone:

- Press and hold button -2- for 6 to 9 seconds until compass display shows "Z" and a number for the magnetic deflection zone.
- Press button -2- repeatedly until the number of the desired magnetic deflection zone appears.
- Select applicable deflection zone from the world map:
 - ◆ Europe ⇒ [page 82](#)
 - ◆ North America ⇒ [page 82](#)
 - ◆ South America ⇒ [page 83](#)
 - ◆ Asia ⇒ [page 84](#)
 - ◆ Africa ⇒ [page 85](#)
 - ◆ Australia ⇒ [page 86](#)

After a few seconds the compass display will switch from the magnetic deflection zone to the current direction/point of the compass.

- Switch the anti-dazzle function of the interior mirror back on ⇒ [page 80](#) after setting the magnetic deflection zone.



5.6 Calibrating digital compass

It is necessary to calibrate the digital compass if:

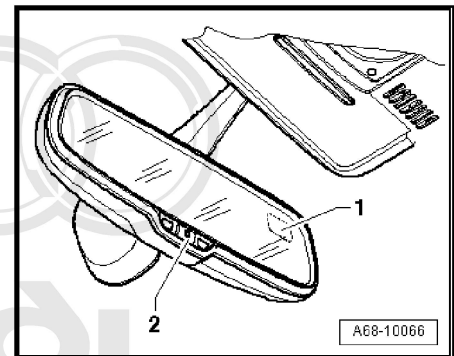
- The directions the digital compass shows are inaccurate.
- The compass display shows a "C" instead of a point of the compass, or if the display remains blank.
- A new automatic anti-dazzle interior mirror - Y7- is installed.

In exceptional circumstances, the digital compass may also have to be calibrated, for example if:

- The vehicle battery is reconnected after it has been disconnected for a long period.
- A new audio system or audio system components has/have been fitted.

Calibrating digital compass:

- Switch on ignition.
- Compass display -1- should show "C".
- If display does not show "C", press and hold button -2- for 9 to 12 seconds until letter "C" appears in compass display.
- Drive the vehicle in a circle two or three times at a speed of approx. 10 km/h (5 mph) until a direction is indicated on the compass display.
- After completing the calibration, re-activate the automatic anti-dazzle function of the interior mirror ⇒ [page 80](#) .

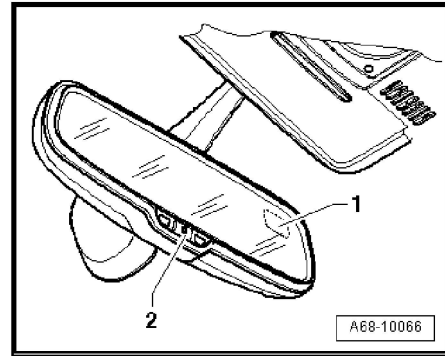


5.7 Adjusting automatic anti-dazzle interior mirror for right-hand drive or left-hand drive vehicles

It is necessary to adjust the mirror to right-hand or left-hand drive if:

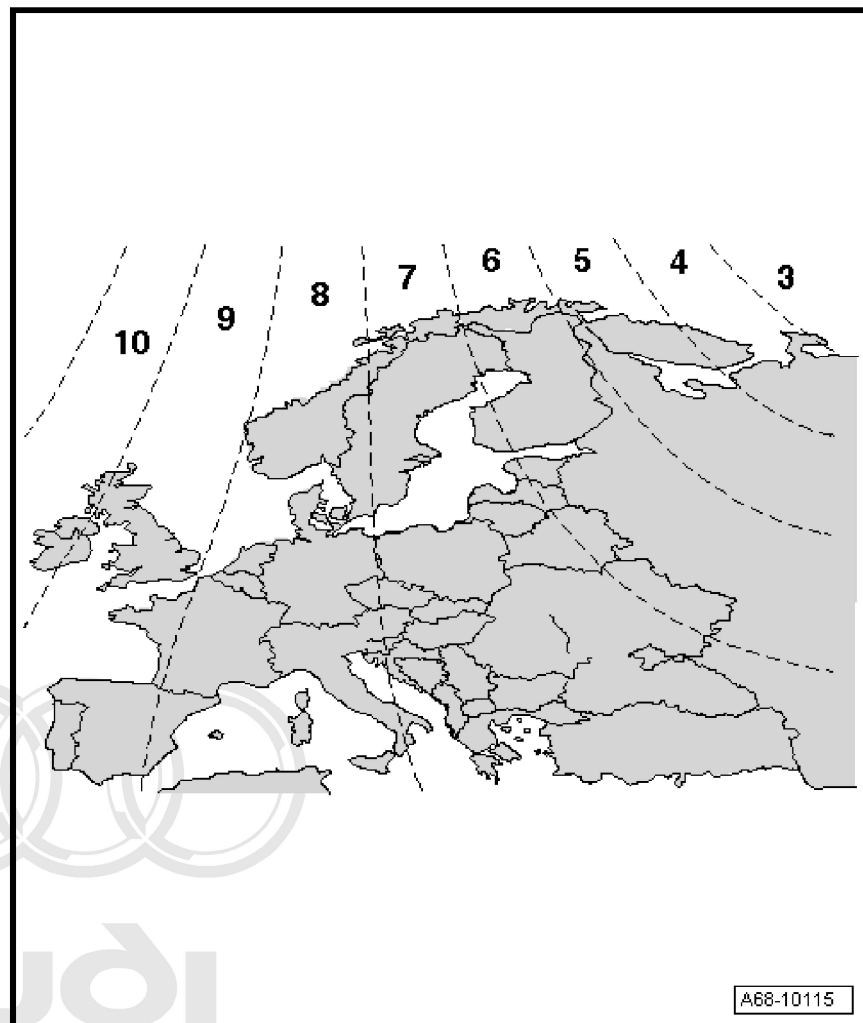
- A new automatic anti-dazzle interior mirror - Y7- is installed.

- Press and hold button -2- for 12 to 15 seconds until display shows "L" (for left-hand drive vehicles) or "A" (for right-hand drive vehicles).
- Press the button again briefly to change the setting for right-hand or left-hand drive.
- After a short while, the display will automatically show "C" (for calibration). The digital compass must now be calibrated
⇒ [page 81](#) .
- Switch the anti-dazzle function of the interior mirror back on
⇒ [page 80](#) after adjusting the mirror for right-hand or left-hand drive.



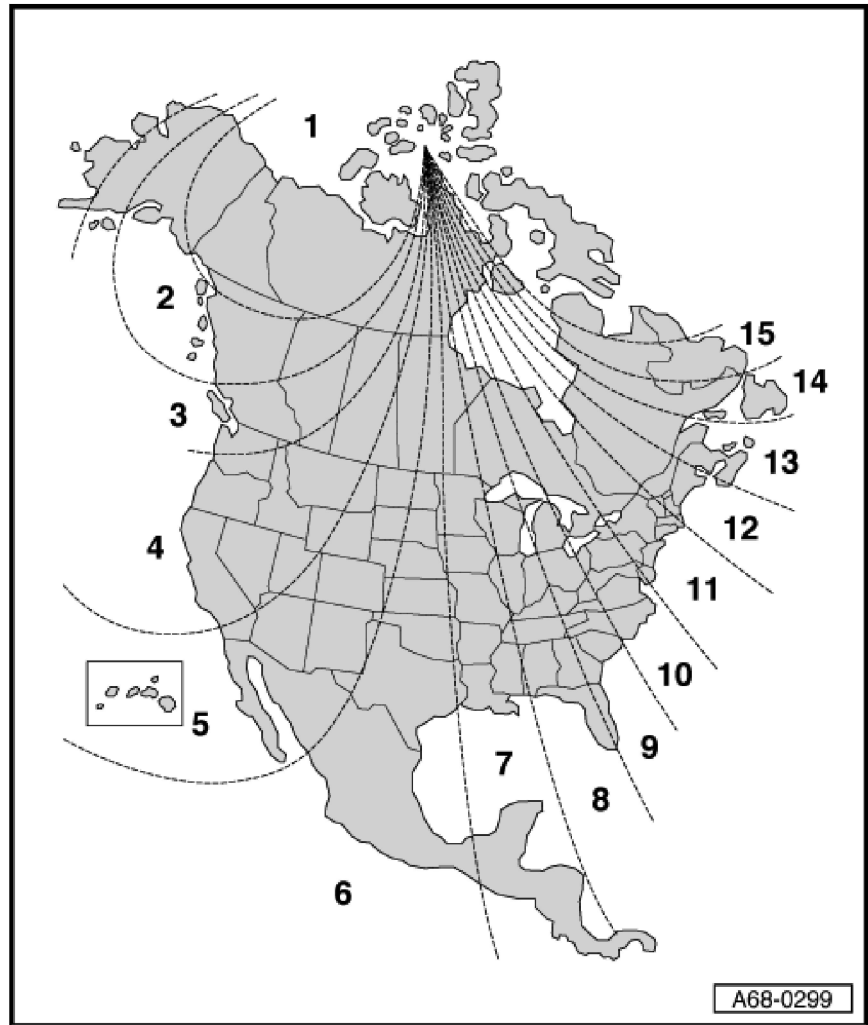
5.8 Selecting the applicable deflection zone from the map

Europe



Protected by copyright. Copying for private or commercial purposes, in part or in whole, is not permitted without express authorisation by AUDI AG. AUDI AG does not guarantee or accept any liability with respect to the correctness of information in this document. Copyright by AUDI AG.

North America



South America



Protected by copyright. Copying for private or commercial purposes, in part or in whole, is not permitted unless authorised by AUDI AG. AUDI AG does not guarantee or accept any liability with respect to the correctness of information in this document. Copyright by AUDI AG.