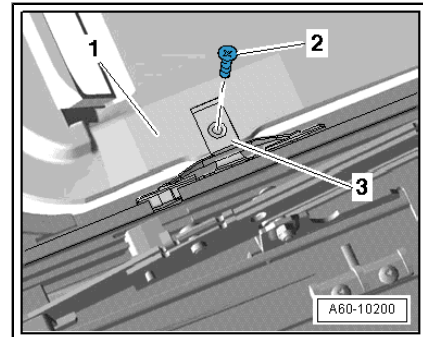


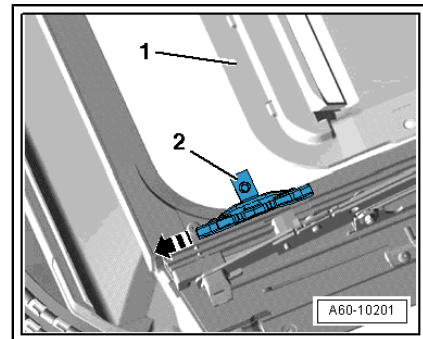
## 1.6.5 Removing and installing sliding headliner

### Glass panel

- Sunroof panel removed
- Unscrew bolt -2- for spring -3-.

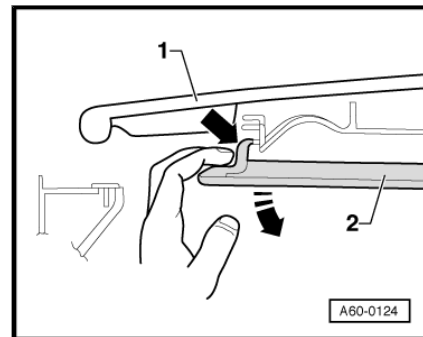


- Slide headliner -1- back slightly and pull front spring out towards front.
- Press out rear spring towards rear.
- Lift out headliner.
- Assemble in reverse order.



### Solar sunroof panel

- Open sunroof, pull headliner in centre of vehicle downwards out of fastener -arrow- and slide it backwards into roof opening.



## 1.6.6 Adjusting zero position (motor)

Drive removed, but wires still connected.

- Switch on ignition.
- Select "Roof closed" with preselection control rotary switch.
- Drive automatically runs to zero position and is switched off.
- Switch off ignition.
- Install drive in this position (zero position) with sliding/tilting sunroof closed.

## 1.6.7 Checking and adjusting zero position (slotted guide)

Protected by copyright. Copying for private or commercial purposes, in part or in whole, is not permitted unless a written permission is obtained from Audi AG. Audi AG does not guarantee or accept any liability with respect to the correctness of information in this document. Copyright by AUDI AG.

### Glass panel

- Tilt sunroof.