

1.6 Removing and installing sliding sunroof

⇒ ["1.6.1 Removing and installing sliding/tilting sunroof motor", page 167](#)

⇒ ["1.6.2 Removing sliding/tilting sunroof panel", page 167](#)

⇒ ["1.6.3 Adjusting panel", page 169](#)

⇒ ["1.6.4 Renewing inner trim", page 169](#)

⇒ ["1.6.5 Removing and installing sliding headliner", page 171](#)

⇒ ["1.6.6 Adjusting zero position \(motor\)", page 171](#)

⇒ ["1.6.7 Checking and adjusting zero position \(slotted guide\)", page 171](#)

⇒ ["1.6.8 Checking and adjusting parallel setting", page 173](#)

⇒ ["1.6.9 Adaption for sunroof", page 173](#)

1.6.1 Removing and installing sliding/tilting sunroof motor

Note

Only remove or install motor with sunroof in "closed" position.

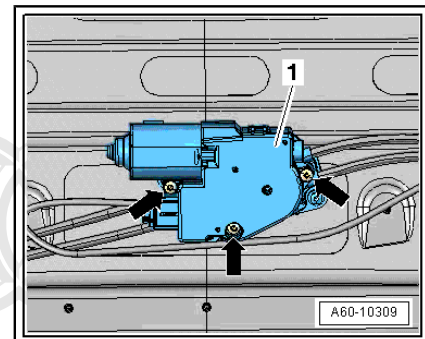
- Move sunroof to "closed" position.
- Lower headliner.
- Remove bolts -arrows-.
- Take motor -1- out of opening for light and unplug connectors.



WARNING

When the sliding sunroof adjustment control unit - J245- has been renewed it has to be encoded via the Guided Functions mode in the Guided Fault Finding routine.

- Adaption must be performed after new motor is installed
⇒ [page 182](#) .



1.6.2 Removing sliding/tilting sunroof panel



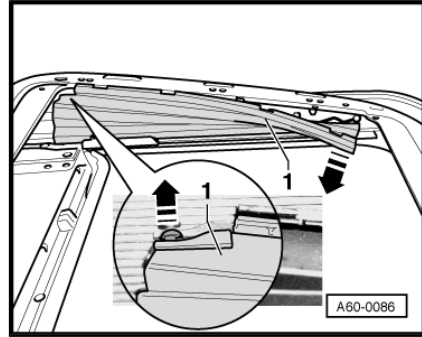
WARNING

Sunroof must not be electrically operated if panel is removed.
If sunroof is moved forwards and becomes jammed, drive will reverse and sunroof will then move backwards under roof as far as it will go.

This may result in irreparable damage to mechanical components.

- Tilt sunroof.
- Starting at front, detach trim -1- inwards from sunroof panel in direction of -arrow-.

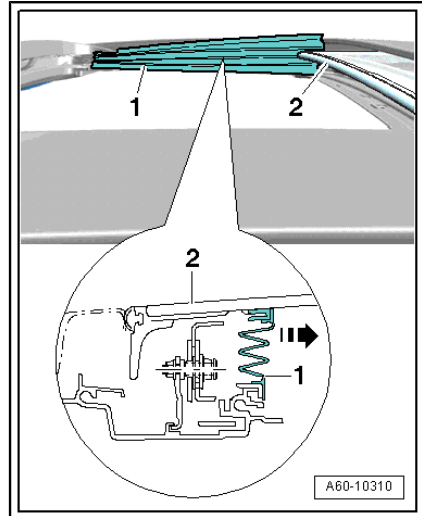
- Slide locking pin to rear out of locking mechanism for panel.
- Pull trim downwards off panel.



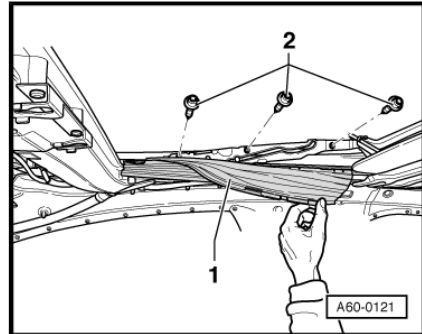
- Fully detach trim -1- inwards from sunroof panel -2- and fold aside downwards.



Protected by copyright. Copying for private or commercial purposes, in part or in whole, is not permitted unless authorised by AUDI AG. AUDI AG does not guarantee or accept any liability with respect to the correctness of information in this document. Copyright by AUDI AG.



- Unscrew Torx bolts -2- -T25- -arrows- at front and rear.
- Centre bolt should only be loosened.



- Lift off sunroof panel.
- Installation is carried out in the reverse order; note the following:
- Adjust cover => [page 169](#) .

