



01

01 panoramic glass roof (2 pieces, for A8 L) - cater for all a light-filled interior ambience and improved indoor climate by means of efficient ventilation, entire roof in tinted glass, including electrically-use, light-proof sunscreen blinds

02 panoramic roof glass (for A8) - large glass surface including electrically-use, light-proof sunscreen blinds

03 Audi phone box¹ - optimizes the phone in the vehicle due to improved reception and call quality

04 operating keys in glass optics black with haptic feedback, including extended aluminum look

05 Bang & Olufsen Advanced Sound System with 3D sound - a sound experience of the highest class in all seats

The fuel consumption and CO₂ emissions and efficiency categories, see page 58th

In the illustrated and described equipment is partially around options at extra cost. facilities for detailed information on standard and optional visit www.audi.de or your Audi partner.

¹ For information on compatible mobile phones, please contact your Audi partner or visit www.audi.de/bluetooth.



02



03 -



04 -



-05



Leather (Package 4) in Valcona leather Audi exclusive comfort-Individual contour seats with reclining seat function in diamond silver and contrast stitching and piping in ocean blue - noble gray naturell upper Wood applications Audi exclusive* in Esch Maser - - lower inlays Matt brushed dark aluminum Audi exclusive in diamond silver - carpet and floor mats Audi exclusive* in diamond silver with piping and stitching in jet gray

Audi exclusive is an optional offer of Audi Sport GmbH. Detailed information on standard and optional equipment available at www.audi.de or your Audi partner.

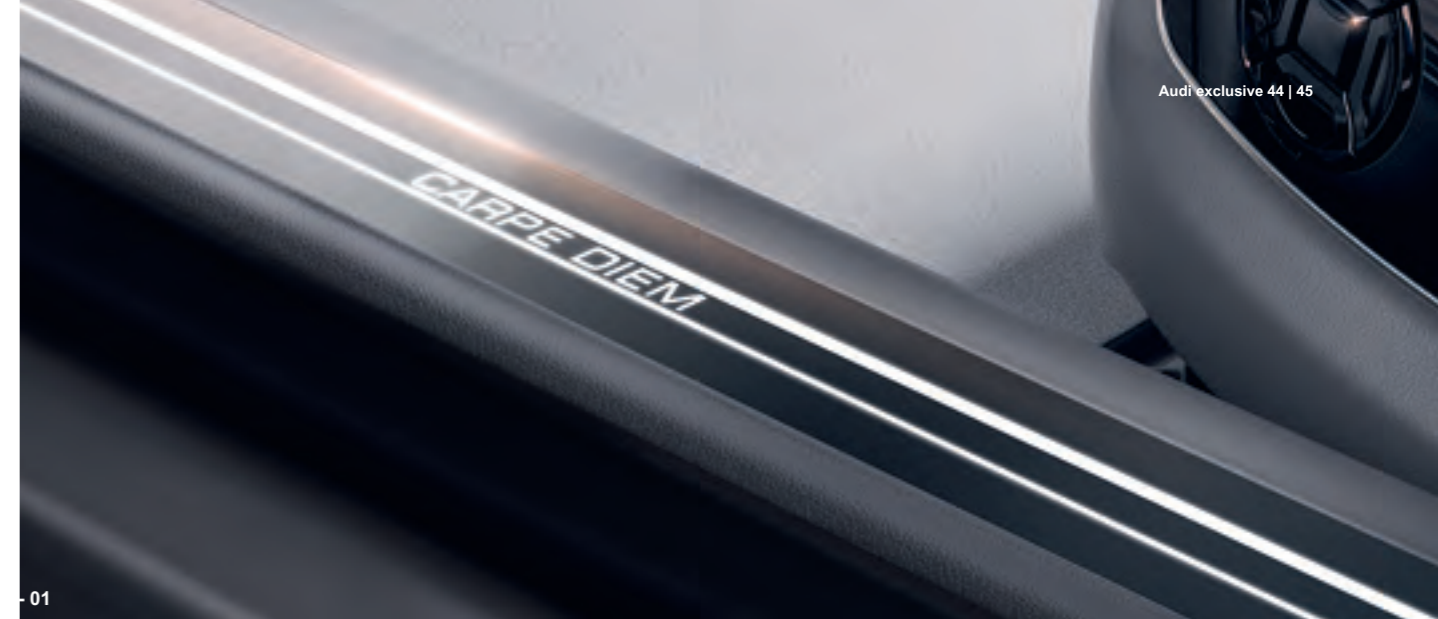
* The exact implementation date please find out from your Audi partner.

An individual vehicle for a unique personality.



Leather (packet 4) in leather Valcona Audi exclusive with comfort Individual contour front seats in diamond silver and seam and piping in ocean blue, upper Wood applications Audi exclusive* in Esch Maser noble gray naturell

* The exact implementation date please find out from your Audi partner.



Audi exclusive 44 | 45

01



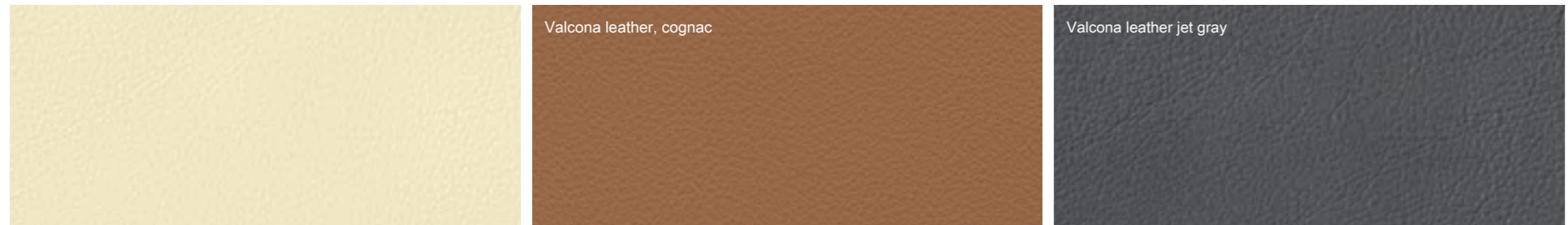
02 -

01 sill plates personalized front and rear Audi exclusive

02 Audi exclusive coolbox

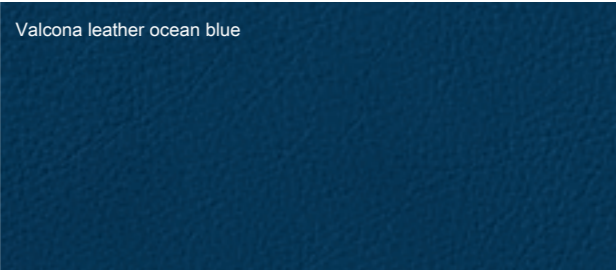
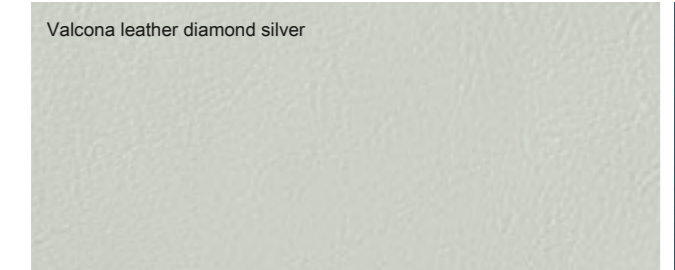
Audi exclusive is an optional offer of Audi Sport GmbH. Detailed information on standard and optional equipment available at www.audi.de or your Audi partner.

Leather upholstery - Main color Audi exclusive



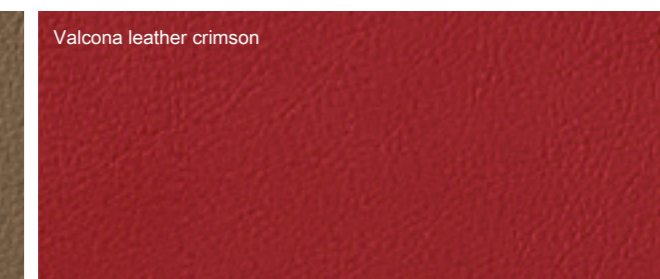
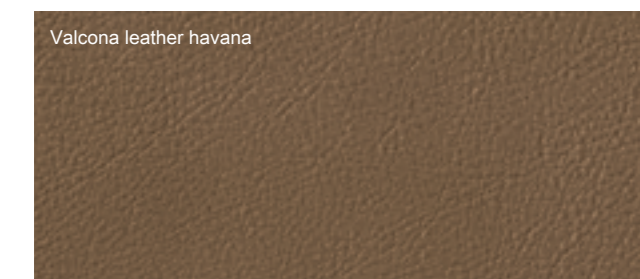
Valcona leather, cognac

Valcona leather jet gray



Valcona leather diamond silver

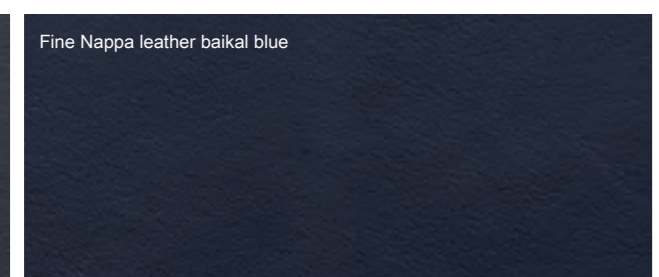
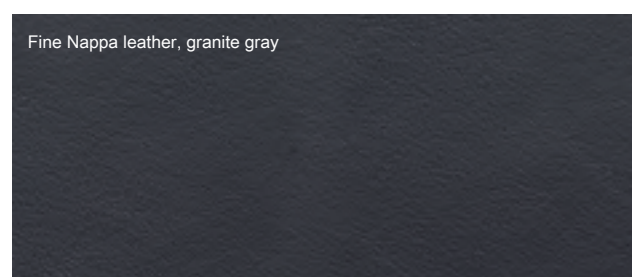
Valcona leather ocean blue



Valcona leather havana

Valcona leather crimson

Leather interiors - Additional colors for the instrument panel top, steering wheel and door sill Audi exclusive Valcona leather, alabaster white



Fine Nappa leather, granite gray

Fine Nappa leather baikal blue



The individual paints Audi exclusive.

There is only one chance for a first impression. Take advantage of this and choose your own personal exterior paint from the large range of colors Audi exclusive. Here is a small selection.

- 01 Quantum gray
- 02 Ipanemabraun Metallic
- 03 Misano Red pearl effect
- 04 Arablau crystal effect
- 05 Goodwood Green pearlescent
- 06 Karat Beige Metallic
- 07 Suzuka Metallic

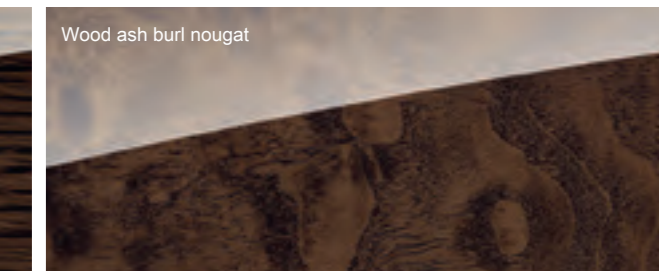
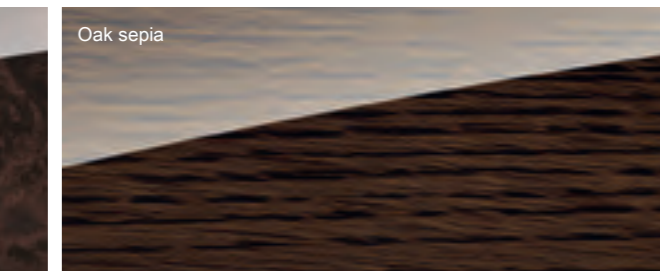
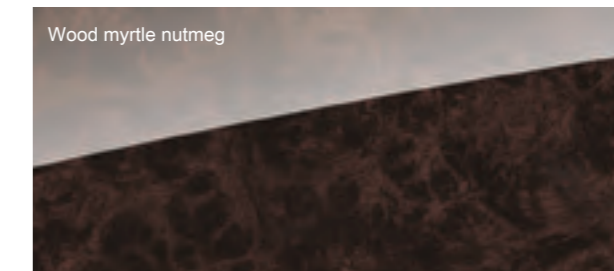
- 02 - 03 - 04 - 05 - 06 - 07 -

01

Many other finishes at www.audi.de

Audi exclusive is an optional offer of Audi Sport GmbH. Detailed information on standard and optional equipment available at www.audi.de or your Audi partner.

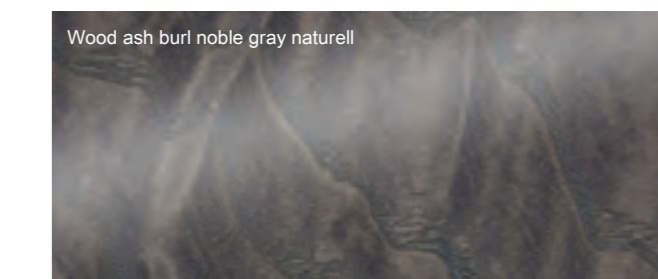
Upper Wood applications Audi exclusive¹



Wood myrtle nutmeg

Oak sepia

Wood ash burl nougat



Wood ash burl noble gray naturell

Eucalyptus wood amber naturell

¹ The exact implementation date please find out from your Audi partner.

Strong sight.

Select the paint color that best suits your personality. You can rely on excellent quality, because your car is not simply painted, but four times.

So you experience it not only brilliant, but also your Audi from environmental influences and wear is protected. For a strong vision, the car's lifetime.

- 01 Terra Gray Metallic
- 02 Vesuvius Gray Metallic
- 03 Moonlight Blue Metallic
- 04 Navarrablau Metallic
- 05 Sevillarot Metallic
- 06 Impala Beige, pearl effect
- 07 Glacier White Metallic

01



Many other finishes at www.audi.de

In the illustrated and described equipment is partially around options at extra cost. Detailed information on standard and optional equipment available at www.audi.de or your Audi partner.

- 02

- 03

04 -

05 -

06 -

07 -



01



02



03



04



05



06

Strong performance.

Audi wheels underline your individual style and character of your Audi A8. Treat yourself to a particularly strong showing with your favorite design. For the good feeling of the road: Audi wheels undergo specific testing procedures are particularly examined and of maximum quality.

01 19-inch cast aluminum wheels, 5-arm design, high-contrast gray, teilpoliert¹

02 20-inch cast aluminum wheels Audi Sport in 5 V-spoke star design in anthracite black shiny, glanzgedreht^{1, 2, 3}

03 20-inch aluminum forged wheels 10 spoke Y Design

04 19-inch cast aluminum wheels Audi Sport, 5-arm polygon design in matt titanium look, glanzgedreht^{1, 2}

05 20-inch forged aluminum wheels, 10-parallel-spoke design, high-contrast gray, teilpoliert¹

06 20-inch cast aluminum wheels Audi Sport in 5-arm turbine design in magnesium optics, glanzgedreht^{1, 2}

In the illustrated and described equipment is partially around options at extra cost. Detailed information on standard and optional equipment available at www.audi.de or your Audi partner. Information on the technical characteristics of the tires, see page 59. The fuel consumption and CO₂ emissions and efficiency categories, see page 58th

¹ Please note the special to the wheels on page 59. ² An offer of Audi Sport GmbH. ³ The exact implementation date please find out from your Audi partner.

Many more wheels under www.audi.de



Top quality.

With the leather upholstery. In your Audi take a special place.

On the front and rear seats exclusive comfort is palpable: high-quality materials and first-class workmanship.

Regardless of what seat cover you choose, you are sitting correctly.

01

02

01 Comfort Individual contour front seats in Valcona leather perforated merlotrot

02 Comfort Individual contour front seats sarderbraun perforated leather unique, including top side of dashboard and center console in Turmalinblau with contrasting seams and piping in rock gray

Many other seat covers at www.audi.de

In the illustrated and described equipment is partially around options at extra cost. Detailed information on standard and optional equipment available at www.audi.de or your Audi partner.

Valcona leather pearly beige perforated with contrasting seams and piping in steel gray

Valcona leather sarderbraun perforated with contrasting seams and piping in steel gray

Valcona leather perforated merlotrot

Leder Valetta saigabeige perforated

Valcona leather merino gray perforated with contrasting seams and piping in espresso brown

Leather unique sarderbraun perforated with contrasting seams and piping in rock gray

Selected.

The inlays. Exclusive ambience is a matter of style. Her style. You can refine every detail. Put sensible accents with the high-quality Audi inlays. Experience the fascination of selected materials: fine woods combined with fine lacquer graphite gray or matt brushed aluminum dark - choose individually according to your personal taste.

- 01 Wood ash grain gray natural brown | 02 Matt brushed aluminum dark
- 03 Wood poplar grain brown silver | 04 Matt brushed aluminum dark
- 05 Beech interval gray natural brown | 06 Fine lacquer graphite gray
- 07 Eucalyptus wood gray natural brown | 08 Fine lacquer graphite gray

Many other inlays under www.audi.de

In the illustrated and described equipment is partially around options at extra cost. Detailed information on standard and optional equipment available at www.audi.de or your Audi partner.

Technical specifications.

model	A8 55 TFSI 250 kW (340 hp)		A8 50 TDI quattro 210 kW (286 hp)	
engine type	V6-cylinder petrol engine with direct fuel injection and turbocharging, Mild Hybrid Electric Vehicle (MHEV)		V6-cylinder diesel engine with common rail injection system and exhaust, Mild Hybrid Electric Vehicle (MHEV)	
Displacement in cc (valves per cylinder)	2.995 (4)		2.967 (4)	
Max. Performance ¹ in kW (hp) at min ⁻¹	250 (340) /5.000-6.400		210 (286) /3.750-4.000	
Max. Torque in Nm at min ⁻¹	500 / 1370-4500		600 / 1250-3250	
power transmission				
Power unit	Permanent all-wheel drive quattro		Permanent all-wheel drive quattro	
Gearbox	8-speed tiptronic		8-speed tiptronic	
Weight / volume	A8	A8 L	A8	A8 L
Leergewicht ² in kg	1995	2020	2050	2075
Perm. Total weight in kg	2680	2745	2690	2700
Perm. Roof load / nose weight in kg	100/95	100/95	100/95	100/95
Perm. Anhängelast ⁴ unrestrained in kg	750	750	750	750
12% slope at 8% gradient	2300	2300	2300	2300
	2300	2300	2300	2300
Fuel tank capacity in l	72	72	72	72
Performance / consumption ⁴ Top				
Maximum speed in km / h	250 ⁶	250 ⁶	250 ⁶	250 ⁶
Acceleration 0-100 km / h in s	5.6	5.7	5.9	5.9
Fuel	Sulfur-free super RON 95 ⁹		diesel schwefelfrei ⁸	
Fuel consumption⁷, * l / 100 km urban extra-urban combined	10.3 to 10.1	10.3 to 10.1	6.5 to 6.3	6.4 to 6.3
	6.4 to 6.0	6.4 to 6.0	5.5 to 5.1	5.5 to 5.2
	7.8-7.5	7.8-7.5	5.8 to 5.6	5.8 to 5.6
CO ₂ -Emissionen ⁷ , * combined in g / km	178-171	178-171	152-145	152-146
Efficiency / emission standard	C-B / EU6	C-B / EU6	A / EU6	A / EU6

Explanations

¹ The specified value is the specified measuring method (UN-R 85, in the presently valid).

² vehicle curb weight with driver (75 kg) and the fuel tank filled to 90%, determined according to the VO (EU) 1230 / 2012 in the current version. Optional equipment can the empty weight and the air resistance coefficient of the vehicle increase, whereby the possible payload and the top speed is correspondingly reduced. ³ With increasing height inevitably decreases engine performance. At 1,000 m above sea level and the

additional 1,000 m, 10% from the combination weight deducted (perm. towable + perm. total weight of the towing vehicle). Valid value towable with factory fitted tow bar. For commercial use of the vehicle with a tow you need a EGKontrollgerät under certain conditions.

⁴ information on fuel consumption and CO₂ emissions clamping widths depending on the Tire / wheel set used. ⁶ The use of unleaded fuel sulfur-free super RON 95 in accordance with DIN EN 228 is recommended.

If not available, unleaded fuel standard sulfur free RON 91 in accordance with DIN EN 228 with slight reduction in performance. Fuel Unleaded RON 95 to a maximum ethanol content of 10% (E10) is basically usable. Fuel consumption details refer to operation with RON 95 fuel in accordance with 692/2008 / EC. ⁸ The use of sulfur-free diesel in accordance with DIN EN 590 is recommended.

If not available, Diesel in accordance with DIN EN 590. ⁷ The values were calculated using the specified measuring procedures. The figures relate








not to a specific vehicle and are not part of the offer but are purely for comparison purposes between the various types of vehicle. Further information on official fuel consumption and official specific CO₂ emissions for new passenger cars in the "Guidelines on fuel consumption, carbon emissions and power consumption of new passenger cars" are taken at all sales outlets and at DAT German Automobil Treuhand GmbH, Hellmuth- Hirth-Str. 1, 73760 Ostfildern-Scharnhausen (www.dat.de) is available free of charge. ⁹ The fuel consumption and CO₂ emissions of a vehicle depend not only on the efficient utilization

of the fuel by the vehicle, but are also influenced by driving behavior and other non-technical factors. CO₂ is mainly responsible for global greenhouse gas.

⁹ Governed.

Classifications of tire parameters

The table lists the tightening of the fuel efficiency class, wet grip class and the class of the external rolling noise to different tire sizes of the Audi A8 and Audi A8 L.

	wheel size	Fuel efficiency class	Nasshaftungs-class	Class of the external rolling noise	
summer tires	235/60 R 17	B	B	72	
	235/55 R 18	B	A	69	
	255/45 R 19	C	A	71	
	265/40 R 20	C	B	70	
winter tires	235/55 R 18	e	B	70	
	235/50 R 19	C	B	68	
	265/40 R 20	C	A	70	

The appointment of a specific tire is not possible.

Important NOTE

Special features of the wheels: Sheen, gloss machined, polished or part polished aluminum wheels may not be used in winter road conditions. The rim surface does not have sufficient corrosion protection due to manufacturing and can be permanently damaged by road salt or the like.

life vehicle recycling: All Audi models are dismantling and recycling meet constructed. At the same time, AUDI AG further developed the framework for the utilization of old vehicles and their components and to reduce the waste to be disposed constantly. Further information can be obtained on the Internet at www.audi.de under the keywords "old car" and "car wreck."

Information on nearby collection points for correct recycling according Altfahrzeuggesetz you get also on the Internet and via our free hotline 0800 2834737 and from your Audi partner.

Dimensions.

	1473	1049	
	1644	1633	
	1945	2130	
Audi A8	1644	1633	Dimensions in mm
	1945	2130	

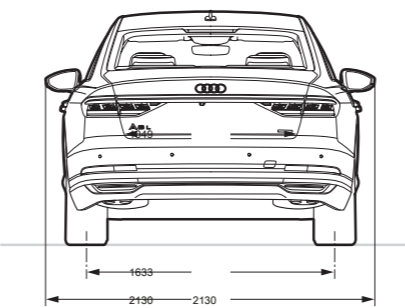
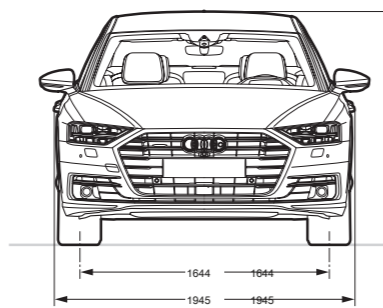
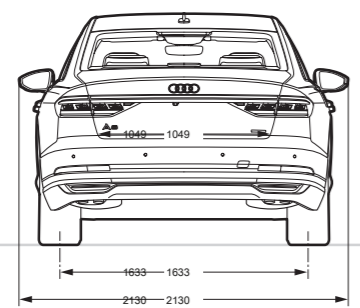
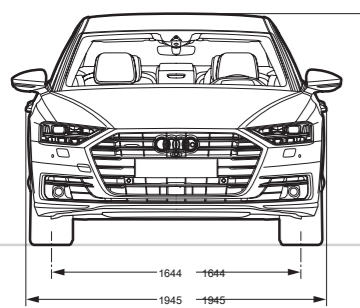
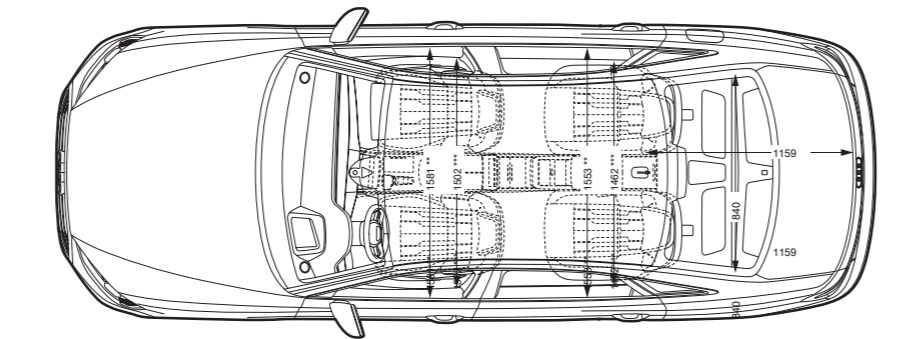
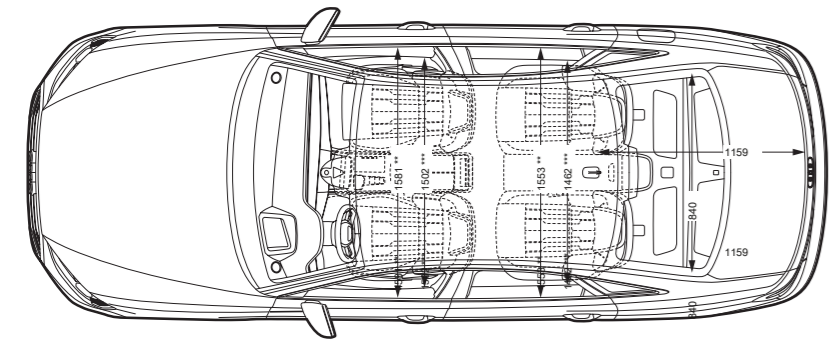
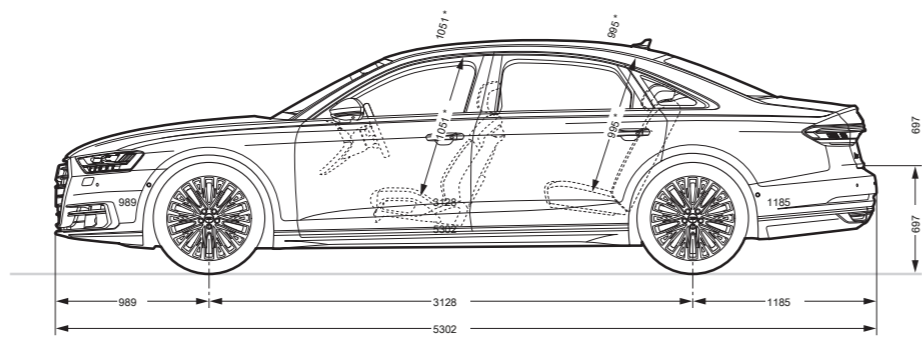
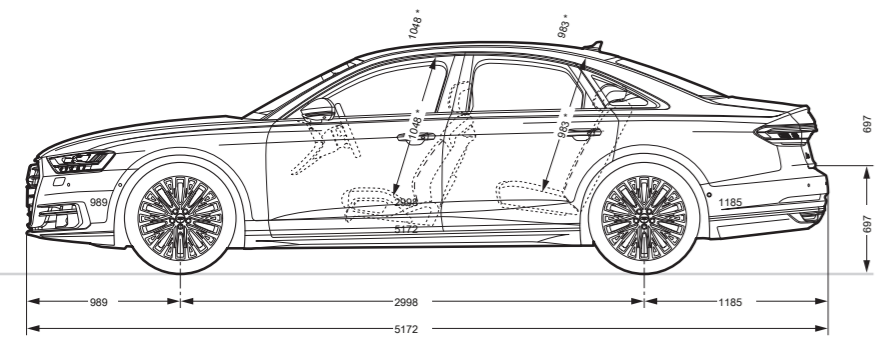
Dimensions were measured with vehicle at unladen weight. Gepäckraumvolumen¹ 505 l; Turning circle 12.5 m.

* Maximum headroom. ** width elbow room. *** shoulder width space.

	1485	1049	
	1644	1633	
	1945	2130	
Audi A8 L	1644	1633	Dimensions in mm
	1945	2130	

Dimensions were measured with vehicle at unladen weight. Gepäckraumvolumen¹ 505 l; Turning circle 12.9 m approx.

* Maximum headroom. ** width elbow room. *** shoulder width space.



Legal for Audi tablet

The functions of the Audi tablet may vary by region. You may incur cell phone charges. Displayable vehicle data are vehicle and outfit. The functionality of navigation requires Audi connectWLAN hotspot and Internet access, depending on the country exclusively Followmode with display of the current vehicle position. The functionality of Google Play Store™² requires Internet access.

Legal information and use information to Audi connect, see www.audi.de/connect.

Equipment for the Audi A8 (p 12-24) Finish: Vesuvius Gray Metallic wheels: cast aluminum wheels Audi Sport in 5-arm turbine design in magnesium optics, glanzgedreht³, * seats / seat covers: comfort-Individual contour front seats perforated sarderbraun in Valcona leather inlays: upper inlays in wood eucalyptus gray natural brown; lower inlays in fine graphite gray paint

Equipment for the Audi A8 L (p 25-29) Coating: Terra Gray Metallic wheels: aluminum forged wheels 10 spokes Y design Seats / seat covers: comfort Individual contour seats in Valcona leather pearly beige perforated with contrasting seams and piping in steel gray inlays : upper wood applications in Esch grain gray natural brown; lower aluminum inlays brushed dark Further equipment: Chrome exterior package, rear seat Entertainment⁴

Equipment for the Audi A8 (p 30-33) Finish: Myth Black Metallic Wheels: Forged aluminum wheels, 10-parallel-spoke design contrasting gray, teilpoliert⁴ seats / seat covers: comfort-Individual contour seats in Valcona leather merlotrot inlays: upper inlays in wood poplar grain brown silver ; lower aluminum inlays brushed dark

¹ Technical specifications relate to a basic vehicle without country-specific ratios and selected optional equipment. ² Google and the Google logo are registered trademarks of Google Inc. ³ An offer of Audi Sport GmbH. ⁴ Please note the specifics to the wheels on page 59. ⁵ Legal information and usage instructions can be found on this page.

The fuel consumption and CO₂ emissions and efficiency categories, see page 58th

AUDI AG

Auto-Union-Straße 1 85045
Ingolstadt www.audi.de

Date: September 2017

Printed in Germany 733 /
1150.82.00

The vehicles depicted in this brochure are equipped with options at extra cost. All data regarding delivery, appearance, performance, dimensions and weights, fuel consumption and running costs is correct at the time of printing. We reserve the right of the figures, errors and misprints variations in color and shape. All details of equipment and specifications based on the characteristics of the German market. Subject to change. Reproduction in whole or part, without the written approval of AUDI AG.

The paper of this Kata logs made from chlorine-free pulp.

