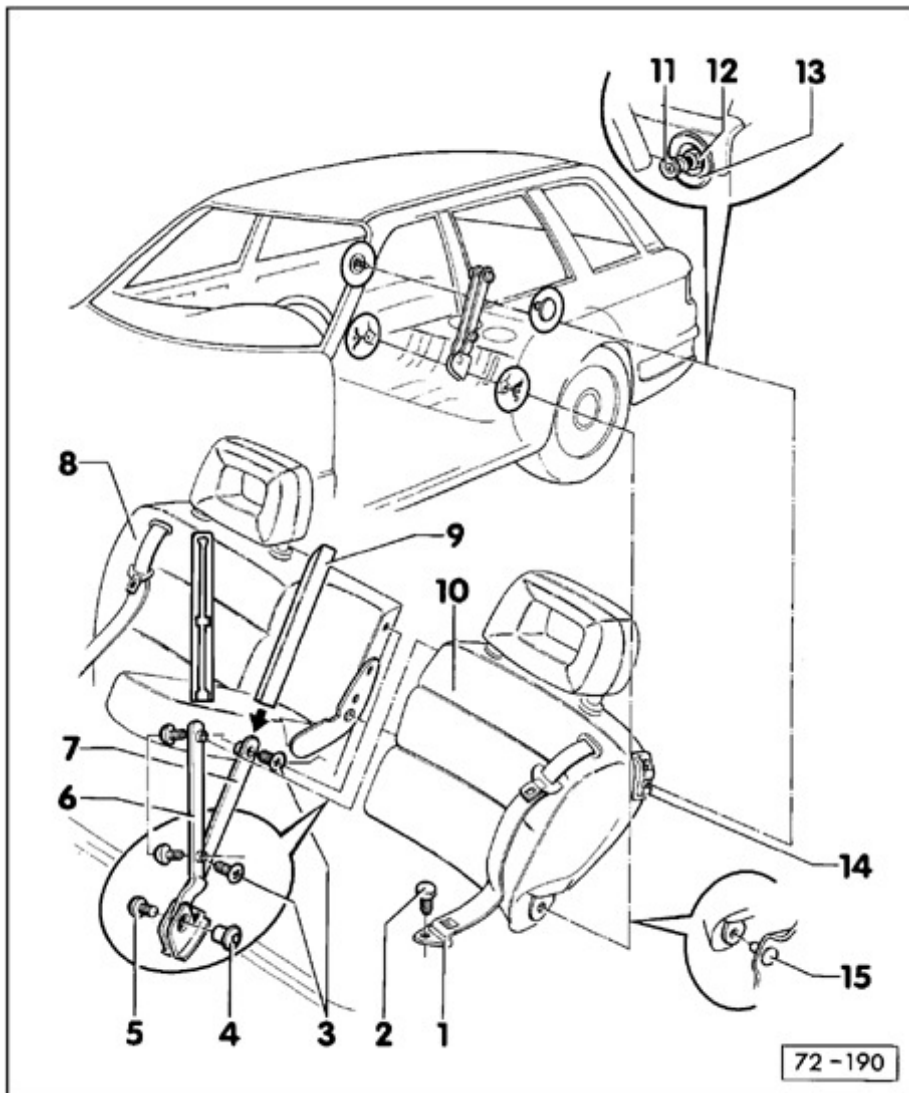


## Audi &gt; C4 &gt; 1992 - 1998

## Body Exterior, Interior

## 72 - Seats - Frames

## Rear seatback (Wagon), assembly

**CAUTION!**

Part numbers are for reference only. Always check with your Parts Department for latest information.

**Note:**

Rear seat must be removed before removing seatback. Area behind seatback bracket is covered to prevent getting seat cover dirty or becoming damaged when folding rear seatback.

**1 -Automatic seat belt**

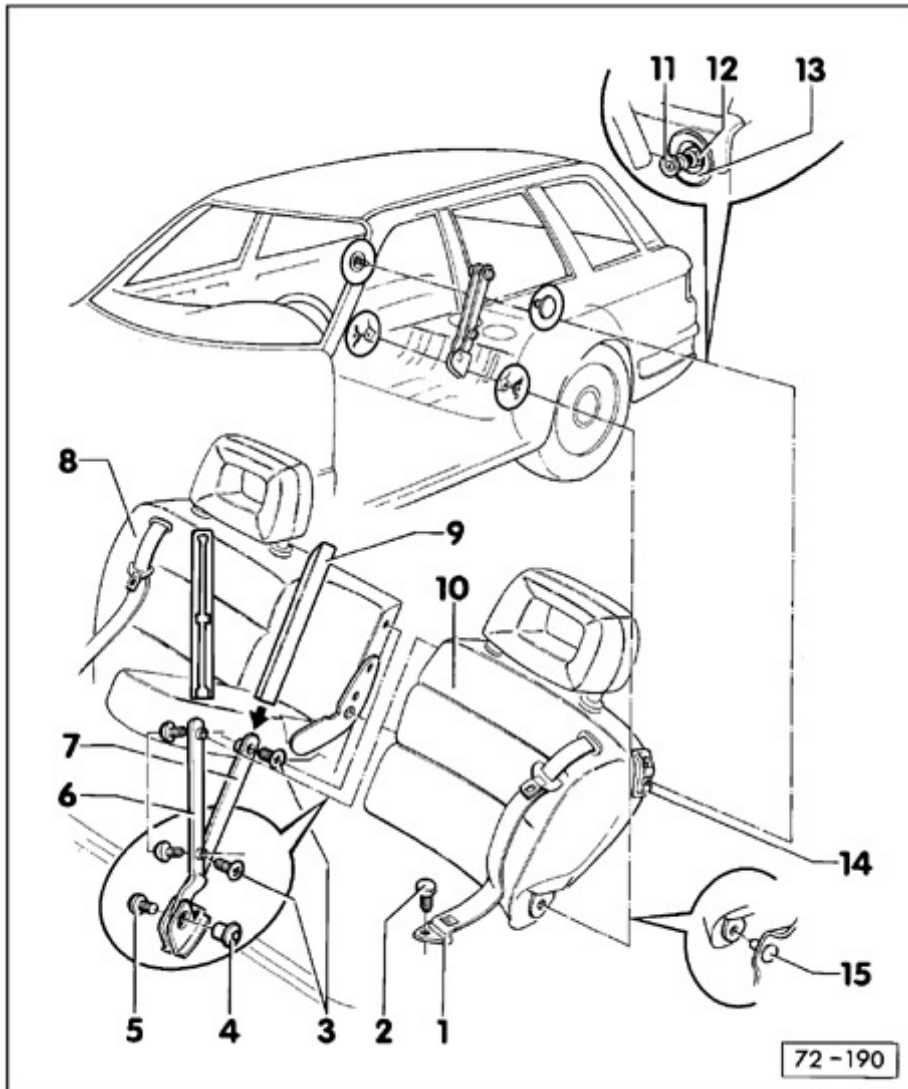
**2 -Bolt**

- ◆  $50 \pm 10 \text{ Nm}$  ( $37 \pm 7 \text{ ft lb}$ )
- ◆ Secure with locking compound D 000 600

### 3 -Screw

- ◆  $8.0 \pm 0.5 \text{ Nm}$  ( $71 \pm 5 \text{ in lb}$ )
- ◆ Secure with locking compound AMV 197 000 01

### 4 -Nut



### 5 -Bolt

- ◆  $12 \pm 1 \text{ Nm}$  ( $106 \pm 9 \text{ in lb}$ )

### 6 -Seatback hinge, left

- ◆ Removing => Fig. [2](#)

### 7 -Seatback hinge, right

- ◆ Removing => Fig. [2](#)

### 8 -Seatback, right

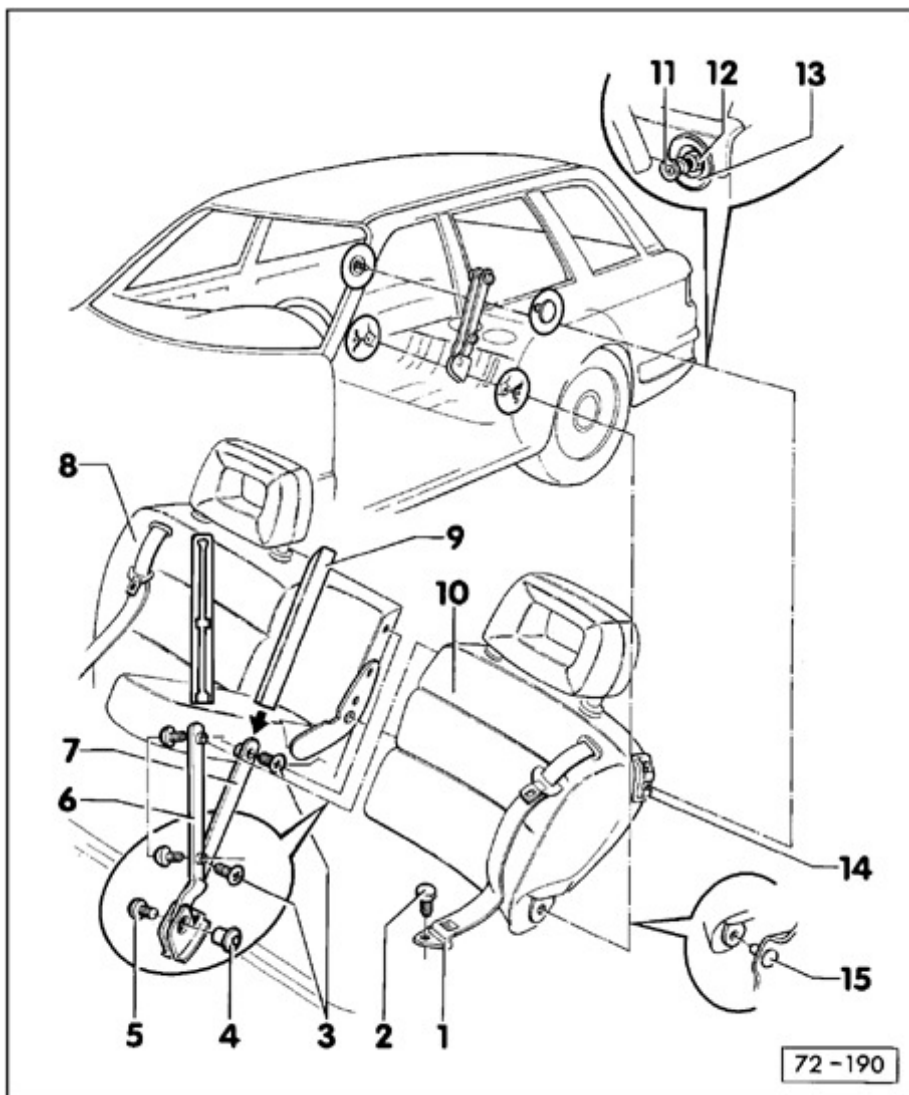
**To remove:**

- Remove rear seat
- Remove bolt -2-
- Operate seatback release and fold over right side seatback
- Remove covering from rear of seatback => Fig. [1](#)
- Slide hinge cover -9- upward (toward top of seat) and remove from right side hinge -1-
- Remove screw -3-
- Tightly fold back hinge -7-
- Remove right side seatback toward center of vehicle
- Remove plug -15-

**To install:**

Install in reverse order, noting the following:

- Secure bolt -2- with locking compound D 000 600
- Secure screw -3- with locking compound AMV 197 000 01



### 9 -Hinge cover

Removing:

- Fold seatback over
- Slide hinge cover off toward top of seatback

Install all components in reverse order, noting the following:

- Do not use force, hinge cover folds over inside

### 10 -Seatback, left

- ◆ Removing, same as for right seatback

### 11 -Lock bolt

- ◆  $50 \pm 10 \text{ Nm}$  ( $37 \pm 7 \text{ ft lb}$ )
- ◆ Removing and installing => Fig. [3](#)
- ◆ Adjust so seat does not rattle

**12 -Nut**

**13 -Disc washer**

**14 -Seatback lock release**

**15 -Plug**

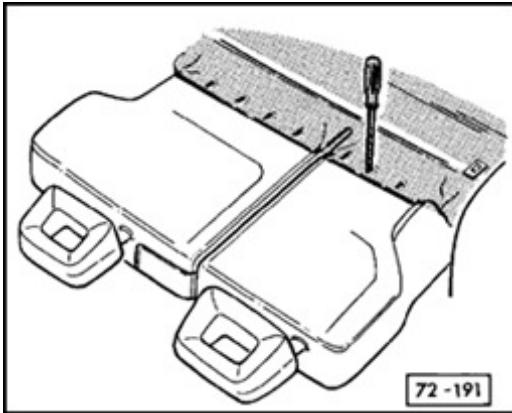


Fig. 1 Removing and installing seatback rear covering

### Removing

- Remove screws, as shown.
- Remove covering and trim strip.

### Installing

Install all components in reverse order of removal.

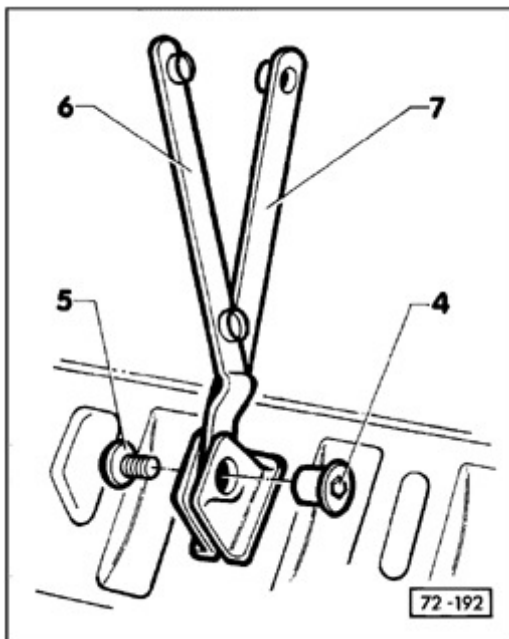


Fig. 2 Removing and installing seatback hinges

### Removing

- Remove bolt -5-, bushing -4- from hinge.
- Remove hinge -6- (left), -7- (right).

### Installing

Install all components in reverse order of removal.

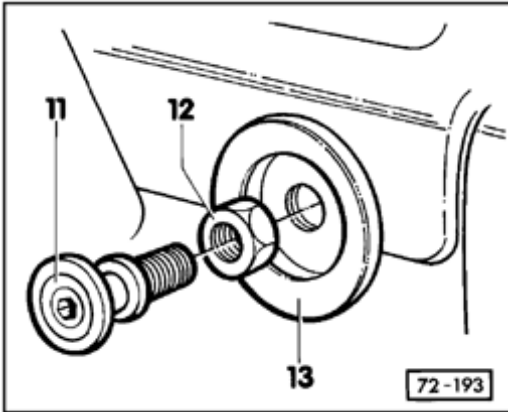


Fig. 3 Removing and installing lock bolt

### Removing

- Loosen nut -12-.
- Remove bolt -11-, washer -13-.

### Installing

Install all components in reverse order of removal.