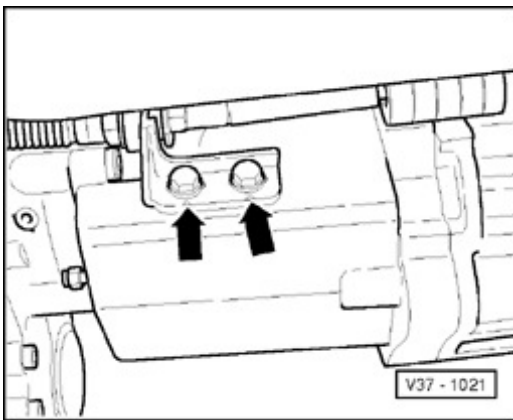


Audi 100, S4, A6, S6 > 1992-1998
4 Spd. Automatic Transmission 01F All Wheel Drive
37 - Selector Lever Mechanism and Controls, Servicing

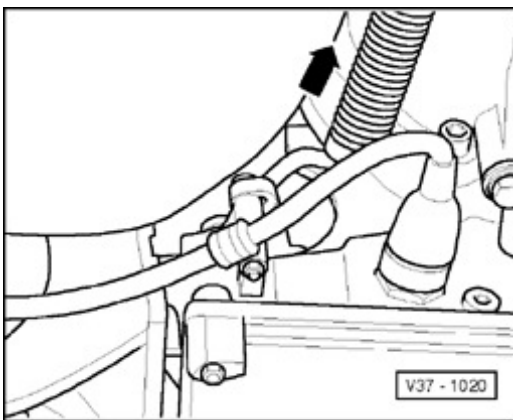
Selector Lever Cable, Adjusting

A - Selector Lever Cable Loosened at Transmission Only

- Move selector lever into position "P."



- Loosen bolts (- **arrows** -) on bracket for selector lever cable until bracket can be moved.



- Move transmission selector lever into position "P" (rear stop). To do this, pull selector lever cable back (- **arrow** -).
- Check whether selector lever cable is routed free of tension.
- Tighten bolts on bracket for selector lever cable to 25 Nm (18 ft lb).

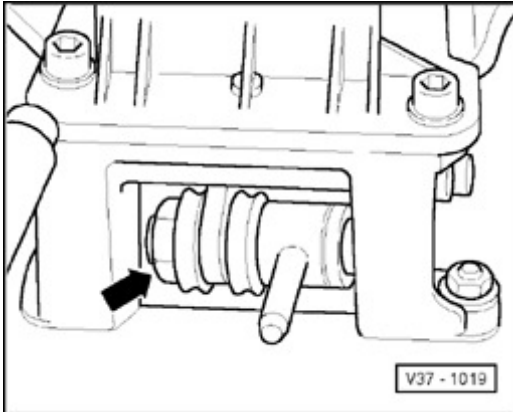
Note:

- ◆ If the bracket slots are not enough to adjust the selector lever cable free of tension, adjust selector lever cable as described in section "B."

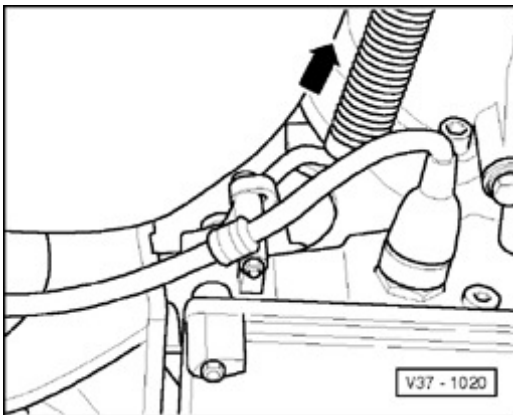
- Check selector lever function ⇒ [Selector Lever Function, Checking](#) .

B - Selector Lever Cable Loosened on Selector Lever Only

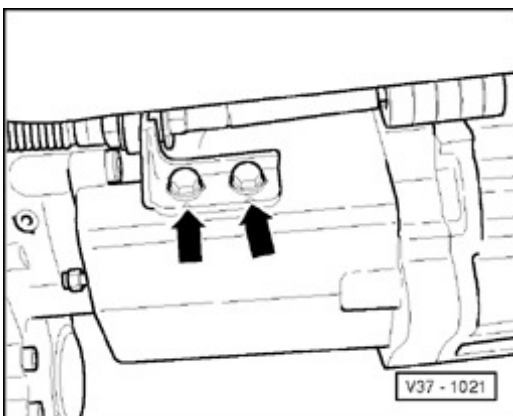
- ▶ Center console, front, removed ⇒ Body Exterior, Interior - Repair Group 70
- ▶ Footwell vent removed ⇒ Heating Air Conditioning - Repair Group 80
- Move selector lever into position "P."



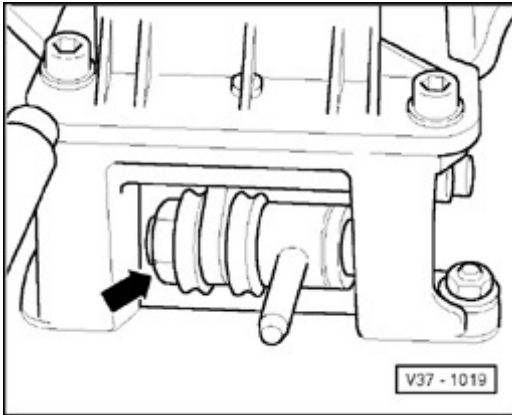
- Loosen nut (- **arrow** -) on clamping pin for selector lever cable.



- Move transmission selector lever into position "P" (rear stop). To do this, pull selector lever cable back (- **arrow** -).
- Check whether selector lever cable is routed free of tension.



- Check whether markings on bracket for selector lever cable (- **arrows** -) are aligned to center of mounting bolts, if necessary align.



- Tighten nut (- **arrow** -) on clamping pin for selector lever cable (20 Nm or 15 ft lb).
- Check selector lever function ⇒ [Selector Lever Function, Checking](#) .

Note:

- ◆ If the Transmission Range (TR) selector lever display Y5 in the instrument cluster does not match the selector lever position, repeat adjustment and/or adjust the Multi-Function Transmission Range (TR) switch F125 ⇒ [Multi-Function Transmission Range Switch F125, Adjusting](#) .

Copyright © 2006 Audi of America, Inc. and Bentley Publishers. All rights reserved. Last processed: