

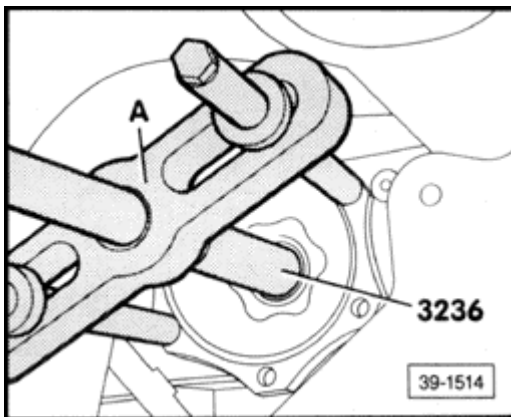
Audi > C4 > 1992 - 1998**4 Spd. Automatic Transmission 097 Front Wheel Drive****39 - Final drive, Differential****Oil seals for drive flange and flanged shaft, removing and installing**

- Transmission in vehicle

Right side oil seal

Removing and installing drive axles => Repair Manual, Suspension, Wheels, Brakes, Steering Front Wheel Drive, Repair Group 40.

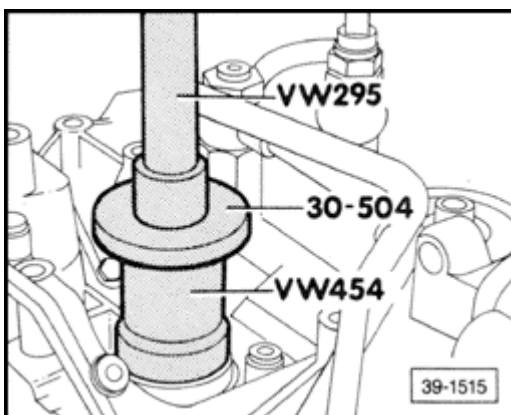
- Remove circlip.
- Put tray in position to catch oil.



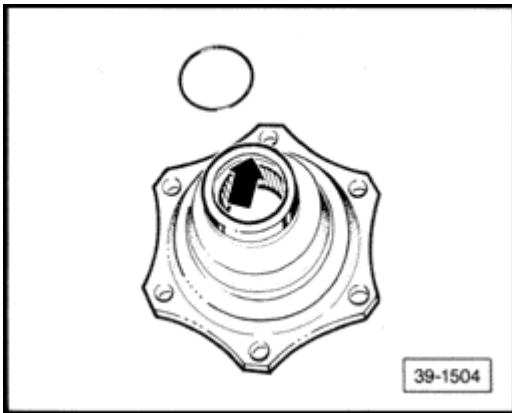
- Pull flange out.

A - Kukko puller 18-1

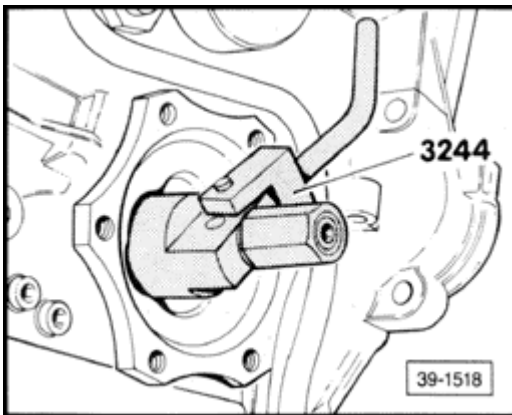
- Pull oil seal out with VW 681.



- Drive new oil seal in to stop.
- Lubricate surface between sealing lips with gear oil.



- Install new O-ring in flange (arrow).



- Install flange on shaft.
- Install circlip for flange.
- Attach drive axle.

Tightening torques

Drive axle to flange	80 Nm (59 ft lb)
Drive axle to hub	200 Nm (147 ft lb) plus additional 1/4 turn (90 °)

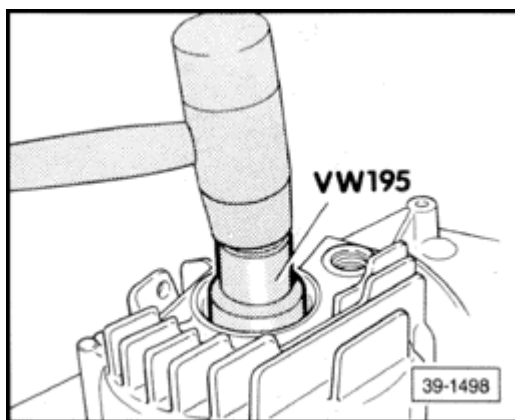
- Check oil level in final drive.

Left side oil seal

Removing and installing drive axles => Repair Manual, Suspension, Wheels, Brakes, Steering Front Wheel Drive, Repair Group 40.

- Remove screw for flanged shaft.
- Place oil tray in position.
- Remove flanged shaft.

- Pull out seal with VW 681.



- Drive in new oil seal for flanged shaft to stop.
- Lubricate surface between sealing lips with gear oil.
- Install flanged shaft.
- Install drive axle.

Tightening torques

Flanged shaft to transmission	25 Nm (18 ft lb)
Drive axle to flange	80 Nm (59 ft lb)
Drive axle to hub	200 Nm (147 ft lb) plus additional 1/4 turn (90 °)

- Check oil level in final drive.