

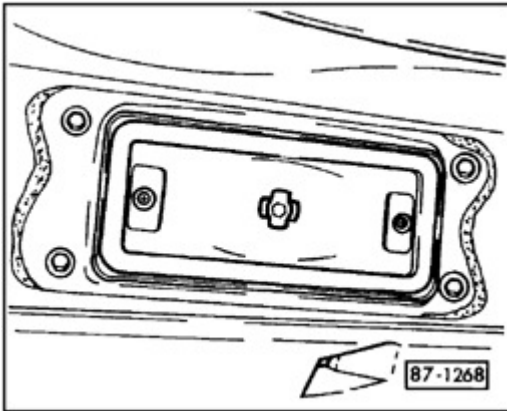
Audi > C4 > 1992 - 1998

Heating & Air Conditioning

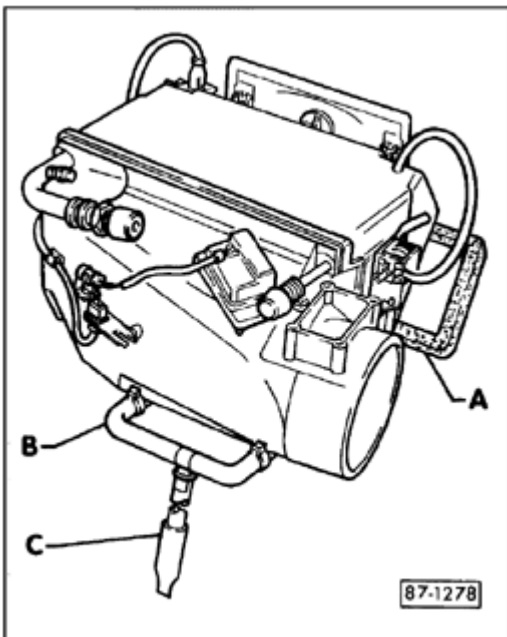
87 - Air conditioning

Evaporator housing, removing and installing

- Discharge A/C refrigerant system => Page [87-96](#).
- Remove glove compartment.



- Remove four bolts from evaporator cover.
- Remove plenum tray.
- Disconnect refrigerant lines to evaporator.
- Plug all open line connections.
- Disconnect all connections between evaporator housing and vehicle.



- Remove evaporator housing.

Note:

The evaporator housing cannot be disassembled and must be replaced as an assembly.

Install in reverse order of removal noting the following:

- Replace seal -A- between vehicle and evaporator housing.
- Replace all O-rings and properly torque connections, specifications => Page [87-5](#).
- Insert water drain hose -B- through opening in plenum, route hose straight and kink-free, ensure hose connections are tight and sealed.
- Check water drain valve -C- for proper operation, clean any dirt, wax or undercoating from valve flap.
- Valve flap must close.
- After installation, ensure there are no air leaks around housing.